

CZ-200P PG500 PCT-300



Resin pressure sensor : CZ-200P



Resin pressure indicator PG500



Output converter : PCT-300

General Description

RKC's resin pressure measuring system is suitable for monitoring and control of resin pressure for extruders. The combination of resin pressure sensor (CZ-200P), the resin pressure indicator (PG500), the output converter (PCT-300) to the improvement of productivity and quality of products. The CZ-200P has new features such as built-in thermocouple while retaining high reliability of CZ-100P. The features of CZ-200P includes a wide selection of screw type, UNF, PF and M14/16 type screws, Low pressure type (0 to 0.5MPa, 0 to 1MPa), built-in thermocouple. A push-rod method is used in CZ-200P. There is no risk of mercury contamination in case of accident, so CZ-200P suits food processing application.

Features

Resin Pressure Sensor CZ-200P

- ☆ The total loop accuracy of 0.5%
(combination with RKC converter PCT-300)
- ☆ High reliability and stability
- ☆ Wide selection of the range from 1MPa to 150MPa
- ☆ Various screw types, UNF, PF and M14/16
- ☆ Optional built-in thermocouple



Supports high temperatures (SPRON Diaphragm Type)

A SPRON diaphragm with a maximum operating temperature of 550°C and excellent corrosion resistance on the level of Hastelloy C has been added to our lineup. Suitable for pressure measurement of high-function resins (high-temperature melted resins) such as polymer resins.

* 450°C when using a J-type thermocouple temperature sensor.



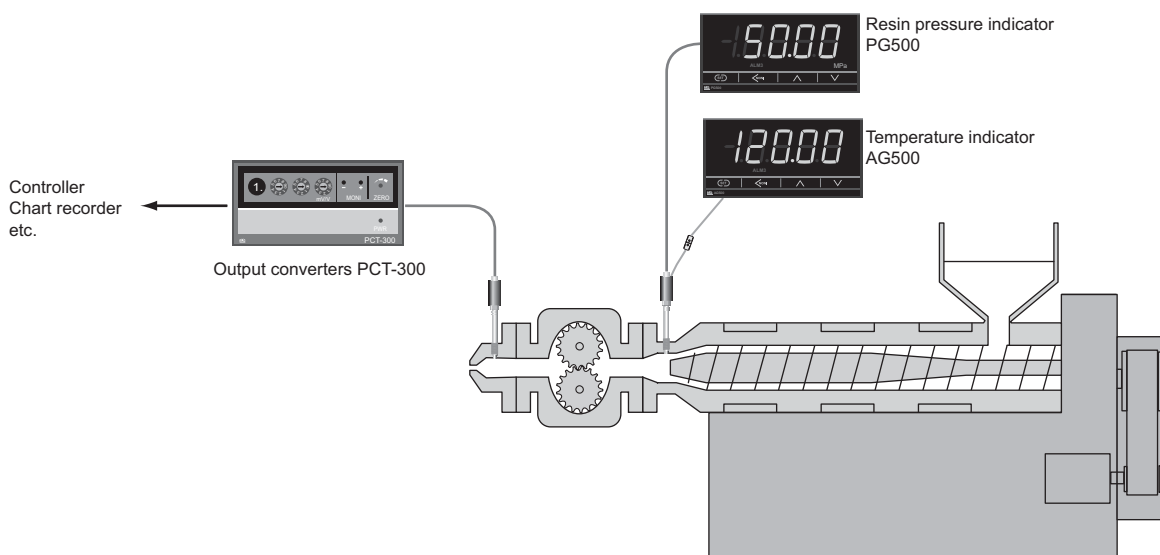
Max.550°C

Output Converter PCT-300

- ☆ Signal converter for CZ-200P
- ☆ Up to four analog outputs
- ☆ Linearization function

Resin Pressure Indicator PG500

- ☆ Easy-to-read large LED
- ☆ 100msec sampling cycle time
- ☆ Optional communication (RS422A/RS-485), retransmission output, up to two alarms



Specifications

Resin Pressure Sensor CZ-200P

Construction

4 sides adhered strain gauge type wheatstone bridge

Rated Pressure

General specification: 0 to 10, 0 to 20, 0 to 35, 0 to 50, 0 to 70 MPa
0 to 100 MPa

High pressure type : 0 to 150 MPa (CZ-200P-H type only)

Low pressure type : 0 to 1, 0 to 5 MPa (CZ-200P-L type only)

Rated Output :

1.0 to 1.8mV/V [At 150°C of diaphragm temperature] *1
• SPRON type (Code : PN) : At 250°C

Bridge Impressed Voltage :

10V DC (at PCT-300, CT-300)
7.7V DC (at PG500, REX-PG410)

Accuracy :

SUS630 type (At 150°C of diaphragm temperature)
Within ±1% of full scale
Within ±2% of full scale (Over 70 MPa)
SPRON type
Less than 70MPa : Within ±1% of full scale
More than 480°C of 10,20,70MPa : Within ±2% of full scale
More than 100MPa : Within ±2% of full scale
More than 480°C of 100MPa : Within ±2% of full scale
HASTELLOY C type : Contact to RKC

Linearity :

SUS630 type (At 150°C of diaphragm temperature)
Within ±1% of full scale
Within ±2% of full scale (Over 70 MPa)
SPRON type
Less than 70MPa : Within ±1% of full scale
More than 480°C of 10,20,70MPa : Within ±2% of full scale
More than 100MPa : Within ±2% of full scale
More than 480°C of 100MPa : Within ±2% of full scale
HASTELLOY C type : Contact to RKC

Hysteresis :

SUS630 type
Within ±0.5% of full scale
Within ±1% of full scale (Over 50 MPa)
Within ±2% of full scale (Over 70 MPa)
Within ±0.2% of full scale (1MPa type)
SPRON type
Less than 70MPa : Within ±1% of full scale
More than 480°C of 10,20,70MPa : Within ±2% of full scale
More than 100MPa : Within ±2% of full scale
More than 480°C of 100MPa : Within ±2% of full scale
HASTELLOY C type : Contact to RKC

Reproducibility :

Within ±0.2% of span
• More than 480°C of 10,20MPa : Within ±2% of full scale

Zero Balance :

±0.6mV/V (Within ±40% of span)

Bridge Resistance :

350Ω±5Ω (Input resistance)
350Ω±5Ω (Output resistance) *2

Allowable Maximum Temperature of the Diaphragm :

400°C (SPRON type : 550°C)

Allowable Maximum Temperature of the Strain Gauge : 200°C *3

Zero Point Temperature Effect (To the temperature of the diaphragm)

SUS630 type : ±0.2%/10°C
±0.3%/10°C (10MPa, 150MPa)
SPRON type : 0.1±0.2%/10°C
HASTELLOY C type : Contact to RKC

Output Temperature Effect

Output temperature effect is an equal value as zero point.
• SPRON type : 0.15±0.2%/10°C

Effect of Wind (Without lead pipe cover)

Within ±1% of full scale (at wind of 4m/sec)

Allowable Overload :

Within 120% of rated pressure
Within 500% of rated pressure (1MPa type)
Within 1000% of rated pressure (0.5MPa type)

Marginal Overload :

Within 150% of rated pressure
Within 1000% of rated pressure (1MPa type)

Lead Pipe Cover material : SUS630

Recommended Tightening Torque :

Fixed nut type: 30 N·m (300 kgf·cm)
Loose nut type: 60 N·m (600 kgf·cm)

Output effect of tightening torque :

Within ±0.2% of full scale (at recommended tightening torque)
• M14, PF1/4, 1/2-UNF screw type : ±1%

*1 The output of each sensor becomes a specific value within the range of 1.0 to 1.8 mV/V.

*2 As the input side of bridge resistance, the 374Ω±10Ω type is also available.

This type is interchangeable with the 350Ω±5Ω type.

*3 When the temperature at the bottom of outer tube (nut side) is more than 180°C, the temperature at the strain gauge exceed 200°C.

If the temperature at the strain gauge exceed 200°C, the performance cannot be assured. Therefore, cover the heat source with a heat insulating material so that the above temperature does not exceed 200°C.

The temperature at the strain gauge can be expected not to rise when:

- the long type of sensor is used or
- the sensor is installed a slant or transversely.

If any of the above measures can be taken, take it.

<Temperature Sensor Function>

Sensor type : Thermocouple : K or J (Ungrounded junction, Class2)
Maximum Temperature : 550°C (Thermocouple K), 450°C (Thermocouple J)
Response time : Approx. 90 sec (room temperature to 100°C, 98 % response)
Cable length : 100mm (Standard, Maximum length 1 m)
Temperature detection position : Internally 2mm from a diaphragm

Output Converter PCT-300

Input

RKC's resin pressure sensor CZ-200P (CZ-100P)

Gain Setting

Setting range : 10.00 to 19.99 mV/V
Setting accuracy : Within ±0.2% of full scale

Output

Number of points : Up to 4 points (standard : 2 points)

Output Signal

No.1 output : 0 to 10V DC (Load resistance : More than 2kΩ)
No.2 output : 0 to 10mV DC (Load resistance : More than 10kΩ)
No.3 output : 1 to 5V DC (Load resistance : More than 1kΩ)
No.4 output : 4 to 20mA DC (Load resistance : Less than 600Ω)

< General Specifications >

Supply Voltage

- 90 to 264V AC (Including supply voltage variation)
[Rating : 100 to 240V AC] (50/60Hz common use)
- 21.6 to 26.4V AC (Including supply voltage variation)
[Rating : 24V AC] (50/60Hz common use)
- 21.6 to 26.4V DC (Ripple rate 10% p-p or less)
[Rating : 24V DC]

Power Consumption

Less than 12.5VA (100 to 240V AC)
Less than 8VA (24V AC)
Less than 190mA (24V DC)

Operating Environments

0 to 50°C [32 to 122°F] , 45 to 85% RH

Net Weight

Approx. 290g

External Dimensions (W x H x D)

96 x 48 x 100mm



Specifications

Resin Pressure Indicator PG500

Input

- Strain gauge type pressure sensor
- Pressure sensor gain setting range : 0.500 to 1.999mV/V
-6.0mV to 15.9mV (Including zero point adjustment range)
 - Pressure sensor gain setting range : 1.000 to 1.999mV/V
-9.8mV to 25.9mV (Including zero point adjustment range)
 - Pressure sensor gain setting range : 2.000 to 2.999mV/V
-12.3mV to 32.6mV (Including zero point adjustment range)
 - Pressure sensor gain setting range : 3.000 to 4.000mV/V
-16.1mV to 42.5mV (Including zero point adjustment range)

Gain Setting

- Gain setting decimal point position:
Three decimal place, Four decimal place
- Setting range: 0.500 to 4.000mV/V (Three decimal place)
0.5000 to 1.9999mV/V (Four decimal place)

Shunt resistance output value

40.0 to 100.0% (Functions when a resistance for sensitivity adjustment built-in pressure sensor is used)

Input impedance : More than 1MΩ

Input break action : Up-scale/Down-scale (Selectable)

Sensor power supply : 7.7V DC±3% (Within 30mA DC)

Sampling Time : 0.1 sec.

Input adjustment

- Zero point adjustment
 - Manual setting : -Input span to +Input span
 - Auto-zero function : -5.0 to +5.0mV (Input conversion)
- Ratio setting
 - Manual setting (Gain adjustment setting) : 0.500 to 1.500
 - Automatic calibration function
Auto calibration is used to automatically set the PV ratio so that the measured value (PV) will be the pressure of the shunt resistance output value.
(Functions when a resistance for sensitivity adjustment built-in pressure sensor is used)
- Linearize :
Use to correct the non-linear nature of pressure sensor CZ-100P/CZ-200P.
• Select the linearizing type symbol engraved on the rated nameplate attached to the CZ-100P or CZ-200P housing.
- Digital filter : 0.0 to 100.0 sec (OFF when 0 is set.)

Input Accuracy : ± (0.1% of full scale + 1 digit)

Influence of ambient temperature

- Input : ±0.006% of Input span/°C
- Sensor power supply : ±0.013% of Output span/°C4

Display : 5-digits (The most significant digit : -1 or 1)

< Standard function >

Contact Input

- Number of input : 3 points, Non-voltage contact input
(OPEN : 500kΩ or more, CLOSE : 10Ω or less)
Function : DI1 : Auto-zero DI2: Hold reset,
DI3 : Alarm interlock reset

Hold Function

- Peak hold : Holds maximum pressure value
Bottom hold : Holds minimum pressure value
• The held values can be reset manually, by external contact signal or by communication after the confirmation by the operator.
• Data is not backed up when the instrument power supply is off.

< Optional function >

Analog Output

- Number of point : 1 point (PV value)
Output signal : a) 0 to 1V DC, 0 to 5V DC, 1 to 5V DC, 0 to 10V DC
Load resistance : More than 1kΩ
Output impedance : Less than 0.1Ω
b) 0 to 10mV DC, 0 to 100mV DC
Load resistance : More than 20kΩ
Output impedance : Less than 10Ω
c) 4 to 20mA DC, 0 to 20mA DC
Load resistance : Less than 600Ω
Output impedance : More than 1MΩ
Output accuracy : ± 0.1% of span
Output resolution : More than 12 bits

Alarm Output

- Number of points : Up to 4 points
Alarm action : High or low alarm (Available for hold function)
Output : Relay output, Form A contact, 250V AC 0.5A
(resistive load)
Other functions : a) Energized/de-energized action is configurable.
b) Delay timer : 0.0 to 600.0 sec)
c) Interlock (latch) function is configurable.

Digital Communications

- Communication method : RS-422A (4-wire), RS-485 (2-wire)
a) ANSI X3.28 sub-category 2.5A4 (RKC standard)
b) MODBUS-RTU
• Selectable
Communication speed : 1200, 2400, 4800, 9600, 19200 BPS
Start bit : 1
Bit format : Data bit : 7 or 8 • MODBUS 8 bits only
Parity bit : Without, Odd or Even
Stop bit : 1 or 2
Maximum connection : 31 units

< General Specifications >

Waterproof/Dustproof

- NEMA4X, IP66
• Waterproof/Dustproof protection only effective from the front in panel mounted installation.

Supply Voltage

- 90 to 264V AC (Including supply voltage variation)
[Rating : 100 to 240V AC] (50/60Hz common use)
- 21.6 to 26.4V AC (Including supply voltage variation)
[Rating : 24V AC] (50/60Hz common use)
- 21.6 to 26.4V DC (Ripple rate 10% p-p or less)
[Rating : 24V DC]

Power Consumption

- Less than 10VA (100 to 240V AC)
Less than 7.0VA (24V AC)
Less than 210mA (24V DC)

Rush Current

Less than 12A

Memory Backup

- Backed up by non-volatile memory (FRAM)
• Data retaining period : Approx. 10 years
• Number of writing : Approx. 10,000,000 times.
(Depending on storage and operating conditions.)

Insulation resistance

- More than 20MΩ (500V DC) between measured terminals and ground
More than 20MΩ (500V DC) between power terminals and ground

Dielectric voltage

- 1500V AC for one minute between measured terminals and ground
1500V AC for one minute between power terminals and ground

Operating Environments

-10 to +50°C [14 to 122°F] , 5 to 95% RH (Non condensing)

Net Weight

Approx. 200g

External Dimensions (W x H x D)

96 x 48 x 60mm

Resin Pressure Measuring System CZ-200P

Intrinsic Safety

Intrinsically Safe Explosionproof Construction Resin Pressure Meter (For Indoor, outdoor)

The qualification No. of the intrinsically safe explosionproof construction resin pressure meter obtained from the ministry of Labor, Japan, is T55821 (For indoor use) T56658 (For outdoor use). The explosion class and ignition group of the objective gases and steam are i2G3. The qualified consists of the pressure sensor CZ-200P and safety barrier (RZB-001), but the output converter is not subject to qualification testing as a general sending/receiving instrument.

For indoor use, the standard connector or the waterproof connector can be selected. For outdoor use, the waterproof connector must be used.

Resin Pressure Sensor CZ-200P

Construction

4 sides adhered strain gauge type wheatstone bridge

Rated Pressure

General specification: 0 to 10, 0 to 20, 0 to 35, 0 to 50, 0 to 70 MPa

0 to 100 MPa

High pressure type : 0 to 150 MPa (CZ-200P-H type only)

Low pressure type : 0 to 1, 0 to 5 MPa (CZ-200P-L type only)

Rated Output :

1.0 to 1.8mV/V [At 150°C of diaphragm temperature] *1

* SPRON type (Code : PN) : At 250°C

Bridge Impressed Voltage :

10V DC (at PCT-300, CT-300)

7.7V DC (at PG500, REX-PG410)

Accuracy :

SUS630 type (At 150°C of diaphragm temperature)

Within ±1% of full scale

Within ±2% of full scale (Over 70 MPa)

SPRON type

Less than 70MPa : Within ±1% of full scale

More than 480°C of 10,20,70MPa

: Within ±2% of full scale

More than 100MPa : Within ±2% of full scale

More than 480°C of 100MPa

: Within ±4% of full scale

Linearity :

HASTELLOY C type : Contact to RKC

SUS630 type (At 150°C of diaphragm temperature)

Within ±1% of full scale

Within ±2% of full scale (Over 70 MPa)

SPRON type

Less than 70MPa : Within ±1% of full scale

More than 480°C of 10,20,70MPa

: Within ±2% of full scale

More than 100MPa : Within ±2% of full scale

More than 480°C of 100MPa

: Within ±4% of full scale

Hysteresis :

HASTELLOY C type : Contact to RKC

SUS630 type

Within ±0.5% of full scale

Within ±1% of full scale (Over 50 MPa)

Within ±2% of full scale (Over 70 MPa)

Within ±0.2% of full scale (1MPa type)

SPRON type

Less than 70MPa : Within ±1% of full scale

More than 480°C of 10,20,70MPa

: Within ±2% of full scale

More than 100MPa : Within ±2% of full scale

More than 480°C of 100MPa

: Within ±4% of full scale

Reproducibility :

HASTELLOY C type : Contact to RKC

Within ±0.2% of span

• More than 480°C of 10,20MPa : Within ±2% of full scale

±0.6mV/V (Within ±40% of span)

Zero Balance :

±0.6mV/V (Input resistance)

Bridge Resistance :

350Ω±5Ω (Input resistance)

350Ω±5Ω (Output resistance) *2

Allowable Maximum Temperature of the Diaphragm :

400°C (SPRON type : 550°C)

Allowable Maximum Temperature of the Strain Gauge :

200°C *3

Zero Point Temperature Effect (To the temperature of the diaphragm)

SUS630 type : ±0.2%/10°C

±0.3%/10°C (10MPa, 150MPa)

SPRON type : 0.1±0.2%/10°C

HASTELLOY C type : Contact to RKC

Output Temperature Effect

Output temperature effect is an equal value as zero point.

• SPRON type : 0.15±0.2%/10°C

Effect of Wind (Without lead pipe cover)

Within ±1% of full scale (at wind of 4m/sec)

Allowable Overload :

Within 120% of rated pressure

Within 500% of rated pressure (1MPa type)

Within 1000% of rated pressure (0.5MPa type)

Marginal Overload :

Within 150% of rated pressure

Within 1000% of rated pressure (1MPa type)

Lead Pipe Cover material :

SUS630

Recommended Tightening Torque :

Fixed nut type: 30 N·m (300 kgf·cm)

Loose nut type: 60 N·m (600 kgf·cm)

Output effect of tightening torque :

Within ±0.2% of full scale (at recommended tightening torque)

• M14, PF1/4, 1/2-UNF screw type : ±1%

*1 The output of each sensor becomes a specific value within the range of 1.0 to 1.8 mV/V.

*2 As the input side of bridge resistance, the 374Ω±10Ω type is also available.

This type is interchangeable with the 350Ω±5Ω type.

*3 When the temperature at the bottom of outer tube (nut side) is more than 180°C,

the temperature at the strain gauge exceed 200°C.

If the temperature at the strain gauge exceed 200°C, the performance cannot be

assured. Therefore, cover the heat source with a heat insulating material so that

the above temperature does not exceed 200°C.

The temperature at the strain gauge can be expected not to rise when:

• the long type of sensor is used or

• the sensor is installed a slant or transversely.

If any of the above measures can be taken, take it.

<Temperature Sensor Function>

Sensor type : Thermocouple : K or J (Ungrounded Junction, Class2)

Maximum Temperature : 550°C (Thermocouple K), 450°C (Thermocouple J)

Response time : Approx. 90 sec (room temperature to 100°C, 98% response)

Cable length : 100mm (Standard, Maximum length 1 m)

Temperature detection position :

Internally 2mm from a diaphragm

Safety Barrier Specifications

Explosionproof construction : Intrinsically safe explosionproof construction (i2G3)

Use rated : Power supply circuit 9V 50mA,

Signal circuit 6V 50mA,

Thermocouple circuit 6V 50mA

Rating for maintaining safety : 250V AC, 50/60Hz, 250V DC

Allowable inductance : Wiring between the resin pressure sensor and safety

barrier : 0.6 mH or less

Allowable capacitance : Wiring between the resin pressure sensor and safety

barrier : 0.1μF or less

Ambient temperature : -10 to +40°C (14 to 104°F)

Ambient humidity : 45 to 85% RH (Non condensing)

Cover : Iron (Coating)

Busbar : Brass (Nickel plating)

Ground requirement : Ground this safety barrier so that its grounding

resistance will be less than the grounding reference

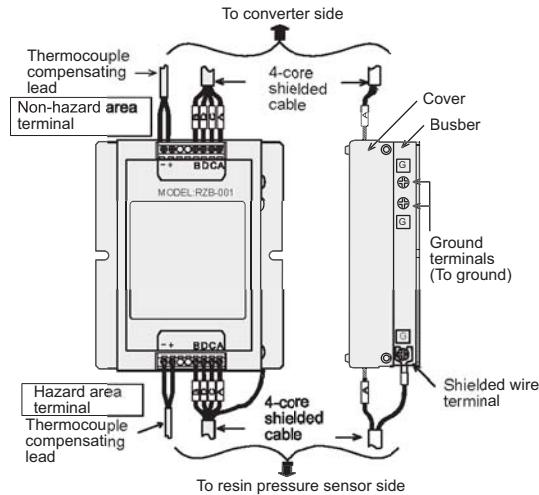
resistance value of shunt diode type safety barriers

(e.g. less than 1Ω) conforming to each national

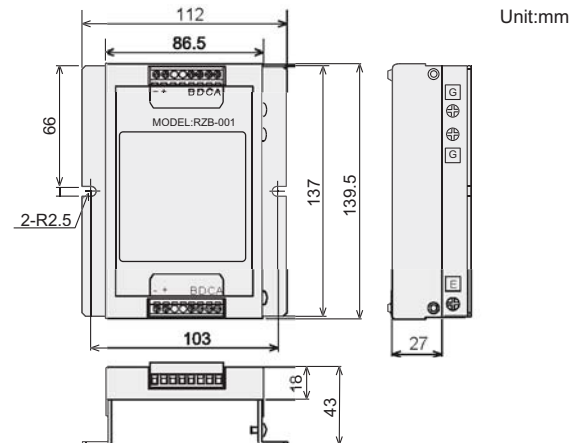
standard. (Requirements)

Weight : Approx. 850g

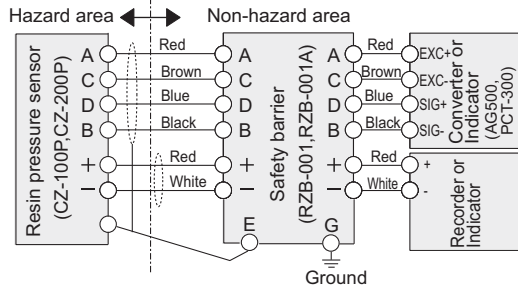
Terminal Configuration



External Dimensions



External Wiring



Model and Suffix Code

PG500

No.	Specifications	Model and Suffix Code	Hardware coding only Quick start code												
			①	②	③	④	⑤	⑥	⑦	⑧	⑨	⑩			
		PG500	<input type="checkbox"/>	<input type="checkbox"/>	<input type="checkbox"/>	<input type="checkbox"/>	<input type="checkbox"/>	<input type="checkbox"/>	<input type="checkbox"/>	<input type="checkbox"/>	<input type="checkbox"/>	<input type="checkbox"/>	<input type="checkbox"/>	<input type="checkbox"/>	<input type="checkbox"/>
①	Input type	Standard type Intrinsic safety type Standard type (Loose Nut : 0.0 to 0.5MPa, Fixed Nut : 0 to 5MPa) Intrinsic safety type (Loose Nut : 0.0 to 0.5MPa, Fixed Nut : 0 to 5MPa) For 3.33mV/V output type	A	B	C	D	X								
②	Power supply	100 to 240V AC 24V AC/DC	4	3											
③	Alarm	Not supplied Number of alarm output (Specify 1 to 4)		N											
④	Analog output	Not supplied See Analog Output Signal Code Table, Code : 1 to 8)		N											
⑤	Communication	Not supplied RS-422A RS-485		N	4	5									
⑥	Initial setting	No quick start code (Default setting) Specify quick start code		N	1										
⑦	Alarm 1	See Alarm Code Table													
⑧	Alarm 2	See Alarm Code Table													
⑨	Alarm 3	See Alarm Code Table													
⑩	Alarm 4	See Alarm Code Table													

Analog Output Signal Code Table

1	0 - 10mV DC	7	0 - 20mA DC
2	0 - 100mV DC	8	4 - 20mA DC
3	0 - 1V DC		
4	0 - 5V DC		
5	0 - 10V DC		
6	1 - 5V DC		

Alarm Code Table

N	No alarm
H	Process High
J	Process Low
K	Process High with Alarm Hold
L	Process Low with Alarm Hold

Terminal cover (Sold separately)

Model Code : KFB400-58

PCT-300

Specifications	Model and Suffix Code
Model	PCT-300 N - <input type="checkbox"/> <input type="checkbox"/>
Type	Standard type N
Number of output	2 outputs (0 to 10V DC, 0 to 100mV DC) 2 3 outputs (0 to 10V DC, 0 to 100mV DC, 1 to 5V DC) 3 4 outputs (0 to 10V DC, 0 to 100mV DC, 1 to 5V DC, 4 to 20mA DC) 4
Option	Not supplied Gain change switch (x1 or x2) Linearization function No symbol G L

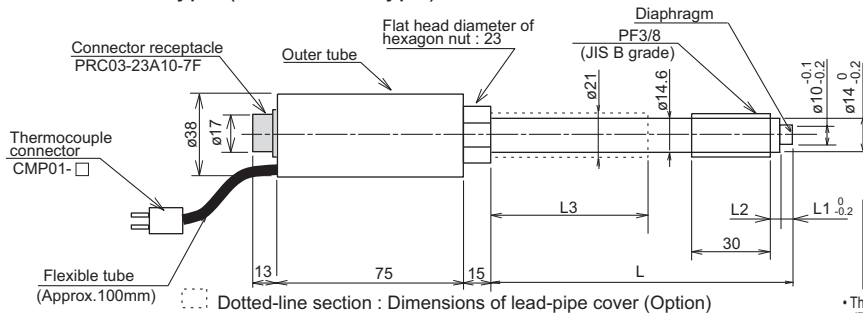
Supply Voltage

100 - 240V AC | 24V AC | 24V DC

External Dimensions and Rear Terminals

(Unit : mm)

For fixed nut type (CZ-200P-H type)

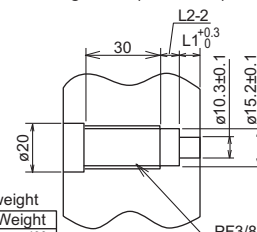


Standard dimensions and weight

	L	L1	L2	L3	Weight
HA	120	8	6	60	Approx.430g
HB	150	8	6	90	Approx.470g
HC	180	8	6	120	Approx.510g
HD	210	8	6	150	Approx.550g

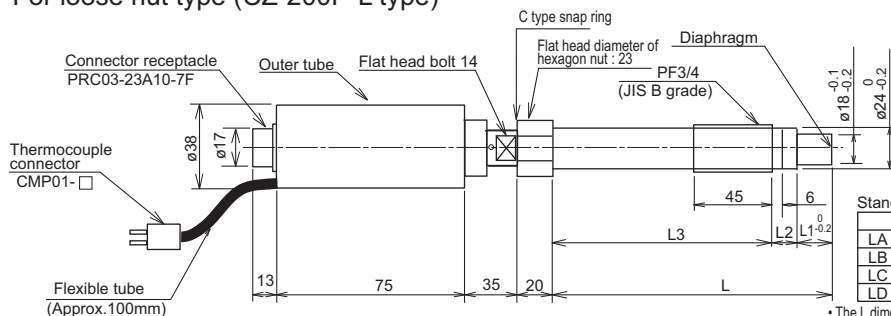
* The L dimension can be up to a maximum of 250 mm. (Please contact RKC agent)

Mounting hole (Unit : mm)



* Element finished to JIS B grade. Install the sensor so that each screw is smoothly inserted.

For loose nut type (CZ-200P-L type)

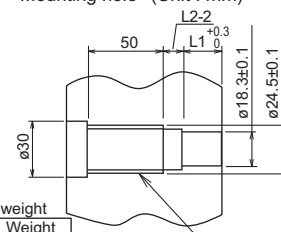


Standard dimensions and weight

	L	L1	L2	L3	Weight
LA	120	20	10	90	Approx.760g
LB	150	20	10	120	Approx.850g
LC	180	20	10	150	Approx.940g
LD	210	20	10	180	Approx.1030g

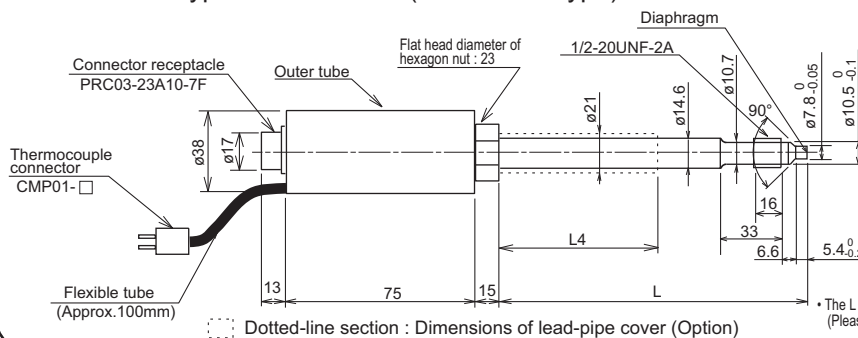
* The L dimension can be up to a maximum of 230 mm. (Please contact RKC agent)

Mounting hole (Unit : mm)



* Element finished to JIS B grade. Install the sensor so that each screw is smoothly inserted.

For fixed nut type unified thread (CZ-200P-U type)

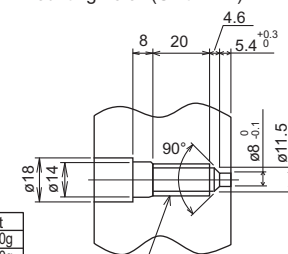


Standard dimensions and weight

	L	L4	Weight
UA	120	80	Approx.410g
UB	150	90	Approx.450g
UC	180	120	Approx.490g
UD	210	150	Approx.530g

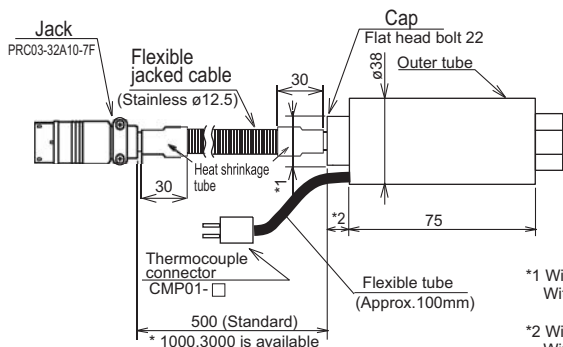
* The L dimension can be up to a maximum of 250 mm. (Please contact RKC agent)

Mounting hole (Unit : mm)



* Element finished to JIS B grade. Install the sensor so that each screw is smoothly inserted.

- When the diaphragm material is SPRON, the cable type is direct connection.



• In the case of a loose nut type or fixed nut type unified screws, the outer tube and cable are as shown at left.

• Mounting hole dimensions are the same as on the standard product.

• Unit dimensions are the same as the dimensions of the standard product; however, the lead unit (L) dimension 120 mm (HA, LA, UA) is not possible.

• The fixed-nut type is only available with a lead-pipe cover.

*1 With thermocouple connector : $\phi 20$
Without thermocouple connector : $\phi 26$

*2 With thermocouple connector : 12
Without thermocouple connector : 15

Reference : Screw dimension tolerances

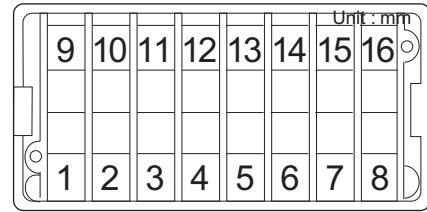
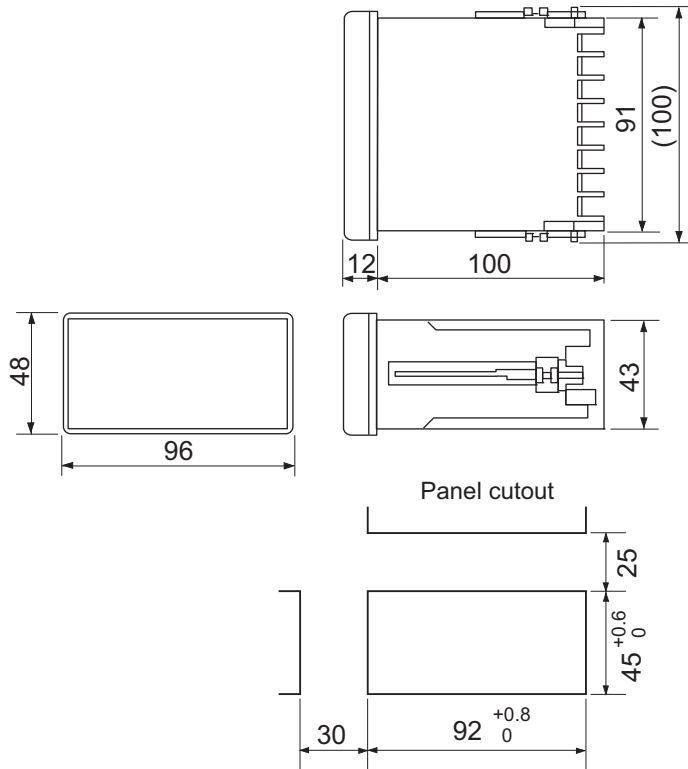
Class	Screw type	PF1/4,PF3/8	PF1/2,PF3/4	M14 x 1.5, M16 x 1.5	1/2-20UNF
JIS B grade (Class 2, 2B)	Inner diameter tolerances of female screw	0 to +0.445	0 to +0.541	0 to +0.300	0 to +0.278
JIS B grade (Class 2, 2B)	Effective diameter tolerances of female screw	0 to +0.250	0 to +0.284	0 to +0.150	0 to +0.141

Resin Pressure Measuring System CZ-200P

External Dimensions

PCT-300

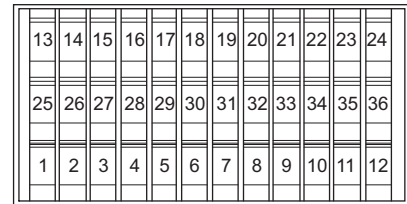
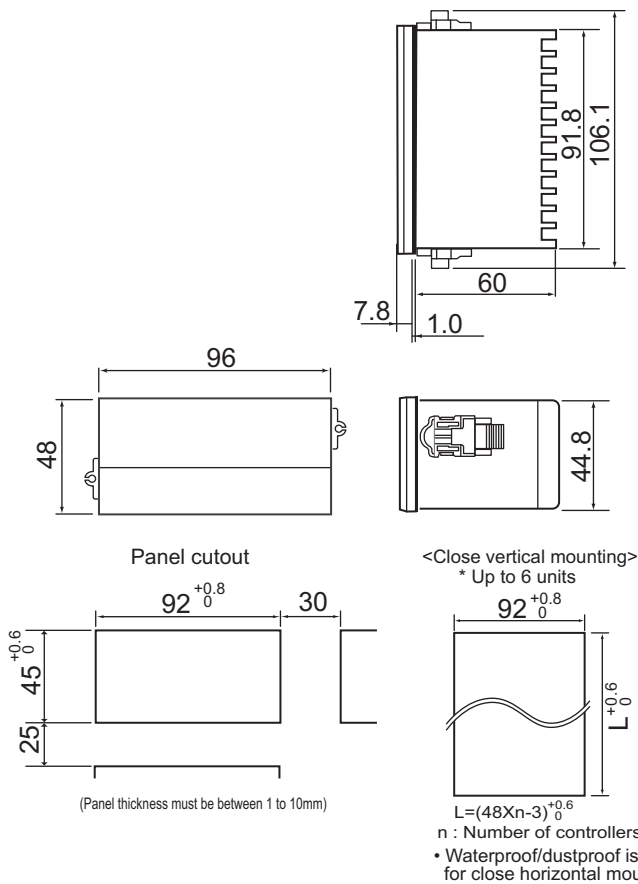
Unit:mm



9	10	11	12	13	14	15	16
			SHD	EXC+	EXC-	SIG+	SIG-
Analog output			Sensor input				
1	2	3	4	5	6	7	8
Ground		Power supply		Analog output		Analog output	

PG500

Unit:mm



• Use a solderless terminal for screw size M3X6.

13	14	15	16	17	18	19	20	21	22	23	24
Digital input				Sensor input							
25	26	27	28	29	30	31	32	33	34	35	36
Communication								Analog output			
1	2	3	4	5	6	7	8	9	10	11	12
Power supply		Alarm 1, 2 output		Alarm 3, 4 output		Calibration output					