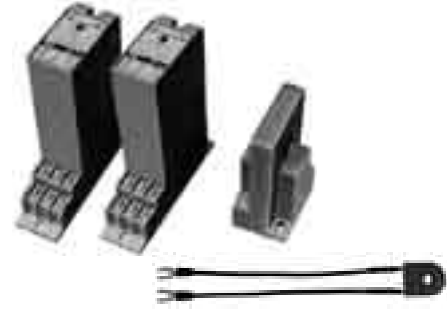


Heater Break Alarm Modules HBA-21/22

HBA-21 HBA-22



Specifications

HBA-21 (For relay contact control)

Input : Current transformer output (Dedicated model: CV-1)
 Detectable load current : 5, 30, 100A AC (Depends on the rating of CV-1)
 Settable range : 10 to 100% of the rated values of CV-1
 Alarm sensitivity : Current change of more than 10% of the rated value (full scale) of CV-1
 * Uncertain for the change within 10%.

HBA-22 (For SSR control)

Input : Current transformer output (Dedicated model : CTL-6-P)
 Detectable load current : 5, 10, 20, 30A AC (Depends on the rating of CTL-6-P)
 Settable range : 5A : 20 to 100% of the rated value of CTL-6-P
 10, 20, 30A : 50 to 100% of the rated value of CTL-6-P
 Alarm sensitivity : Current change of more than 15% of the rated value (Full scale) of CTL-6-P
 * Uncertain for the change within 15%.

HBA-21/22 (Common specifications)

Alarm display : Light emitting diode (Red)
 Number of outputs : 2 points
 Alarm output : Form A contact, 230V AC 0.5A (resistive load)
 Power supply : 100/110V AC or 200/220V AC (50/60Hz common)
 Allowable voltage variation : Within $\pm 15\%$ of rating
 Power consumption : Approx. 1.8VA
 Ambient temperature : -10 to 50°C
 Ambient humidity : 45 to 85% RH
 Weight : Approx. 230g
 Dimensions : 30.8(W) x 110(H) x 125(D) mm

(Note) The suffix code of current transformers model CV-1 and CTL-6-P differs according to the load current.

Model and suffix code

Specifications	Model and Suffix Code	
Model	HBA-21 (for relay contact control)	

Power supply : 100/110V AC
200/220V AC

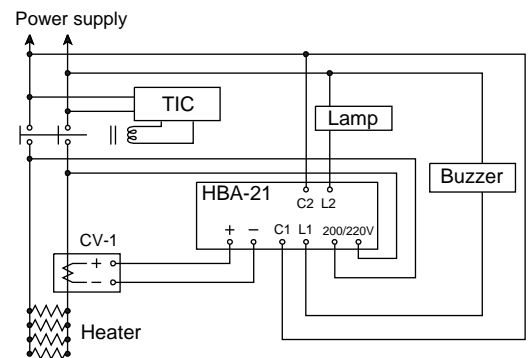
Specifications	Model and Suffix Code	
Model	CV-1 -	□
Load current	5A	5
	30A	30
	100A	100

Specifications	Model and Suffix Code	
Model	HBA-22 (for SSR control)	

Power supply : 100/110V AC
200/220V AC

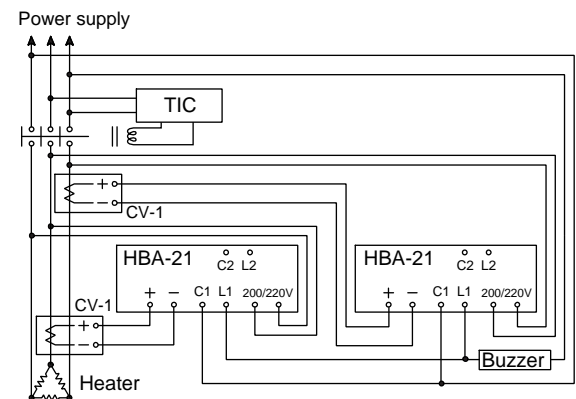
Specifications	Model and Suffix Code	
Model	CTL-6-P-	□
Load current	5A	5
	10A	10
	20A	20
	30A	30

HBA-21 (For 1-phase of power supply)

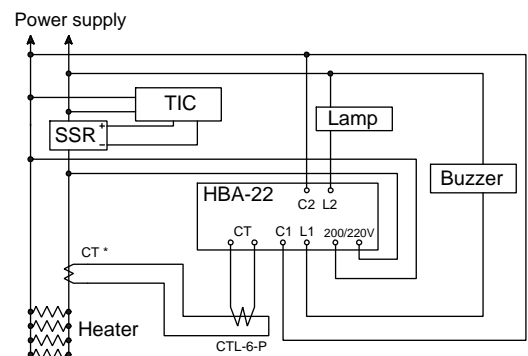


HBA-21 (For 3-phase of power supply)

2 units of current transformer are necessary



HBA-22 (For 1-phase of power supply)



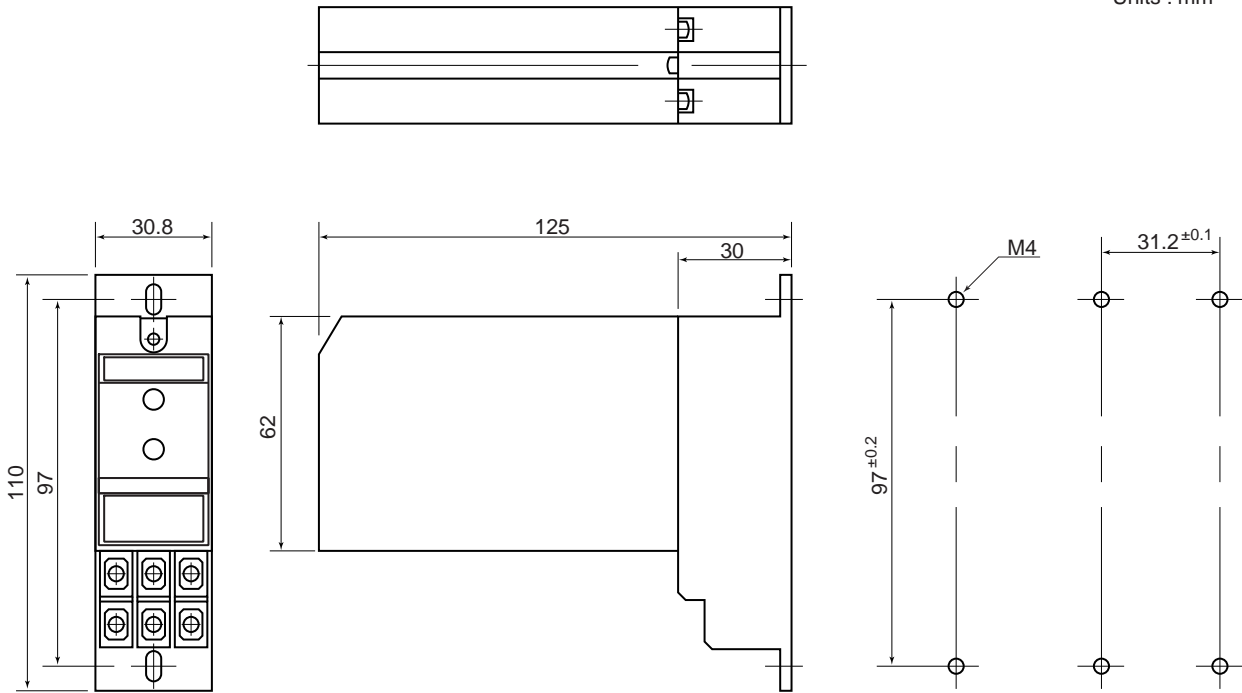
(* Use when the load current capacity is over 30A.)

Heater Break Alarm Modules HBA-21/22

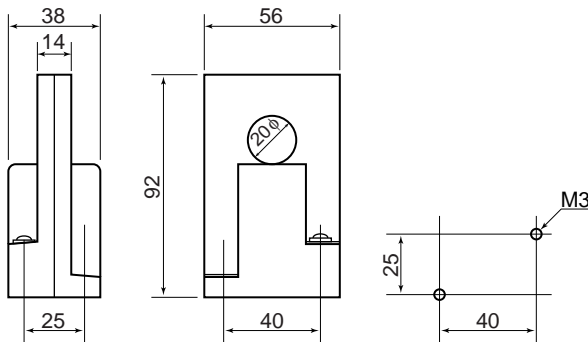
External Dimensions and Socket Terminals

HBA-21/22

Units : mm



CV-1



CTL-6-P

