

# Heater Break Alarm Modules HBA-T22/32

## HBA-T22 HBA-T32



### Specifications

#### HBA-T22 ( For thyristor control, 1-phase )

Input : Current transformer output  
(Dedicated model: CTL-6-P)  
Detectable load current : 5, 10, 20, 30A AC  
(Depends on the rating of HBA-T22)  
Settable range : 50 to 100% of the rated value of HBA-T22  
Load setting accuracy :  $\pm 3\%$  of load set value  
Alarm sensitivity : Current change of more than 10% of the load capacity  
\* Uncertain for the change within 10%.

#### HBA-T32 ( For thyristor control, 3-phase )

Input : Current transformer output  
(Dedicated model: CTL-6-P)  
Detectable load current : 5, 10, 20, 30A AC  
(Depends on the rating of HBA-T32)  
Settable range : 50 to 100% of the rated value of HBA-T32  
Load setting accuracy :  $\pm 3\%$  of load set value  
Alarm sensitivity : Current change of more than 15% of the load capacity  
\* Uncertain for the change within 15%.

#### HBA-T22/32 ( Common specifications )

Alarm display : Light emitting diode (Red)  
Number of outputs : 2 points  
Alarm output : Form C contact, 200V AC, 3A (resistive load)  
Dielectric strength : 1500V AC/1 minute  
between each input/output terminal  
Insulation resistance : 50M $\Omega$  between each input/output terminal  
Power supply : 100/110V AC and 200/220V AC (50/60Hz common)  
Voltage variation : Within  $\pm 10\%$  of rated value  
Power consumption : Approx. 1.2VA  
Ambient temperature : 0 to 50 °C  
Ambient humidity : 45 to 85% RH  
Weight : Approx. 400g  
Dimensions : 48(W) x 96(H) x 100(D) mm

#### Model and suffix code

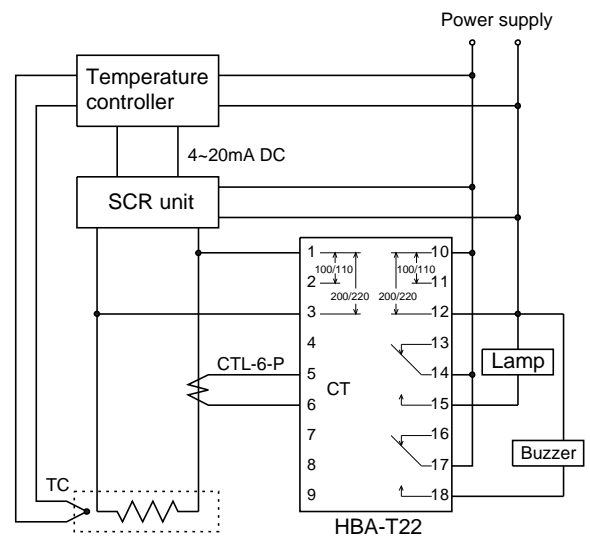
Specifications	Model and Suffix Code	
Model	HBA-T22	<input type="checkbox"/> - <input type="checkbox"/>
Control type	1-phase thyristor for phase control 1-phase thyristor for zero-cross control	P Z
Load current	5A	5
	10A	10
	20A	20
	30A	30

Dedicated current transformer : CTL-6-P-N

Specifications	Model and Suffix Code	
Model	HBA-T32	<input type="checkbox"/> - <input type="checkbox"/>
Control type	3-phase thyristor for phase control 3-phase thyristor for zero-cross control	P Z
Load current	5A	5
	10A	10
	20A	20
	30A	30

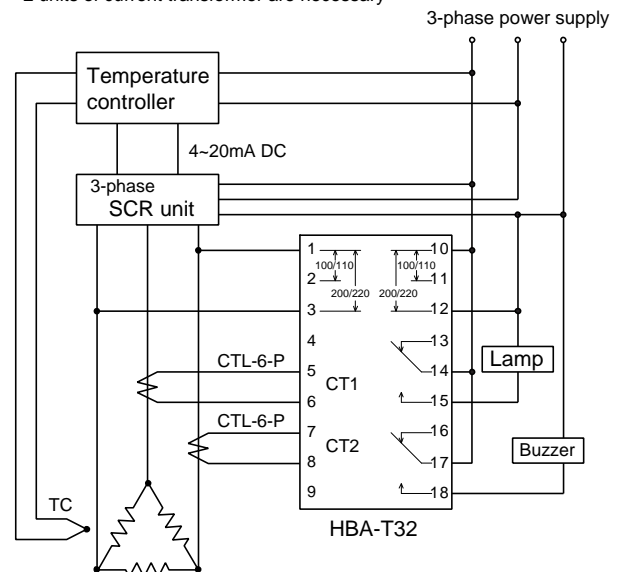
Dedicated current transformer : CTL-6-P-N

#### HBA-T22 ( For 1-phase of power supply )



#### HBA-T32 ( For 3-phase of power supply )

2 units of current transformer are necessary

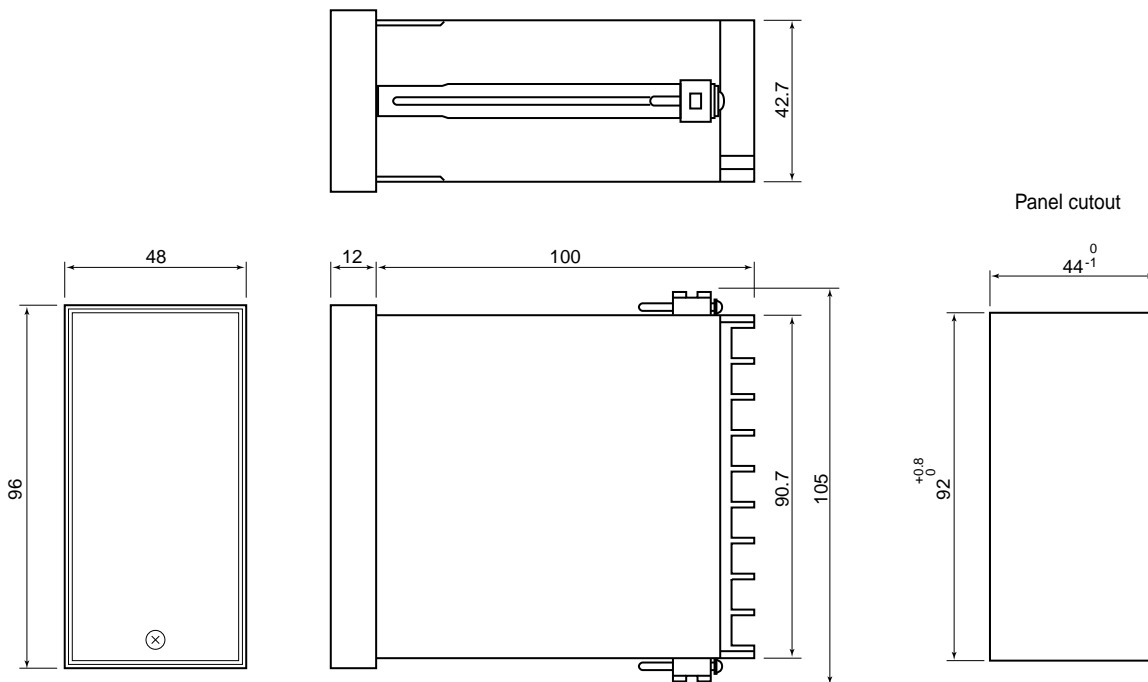


# Heater Break Alarm Modules HBA-T22/32

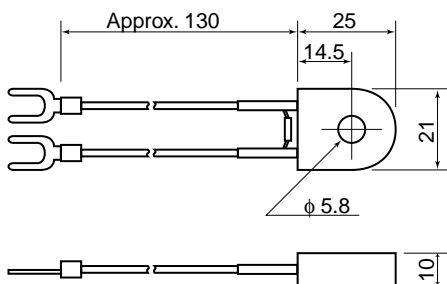
## External Dimensions and Rear Terminals

### HBA-T22/32

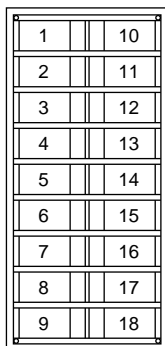
Units : mm



### CTL-6-P



### HBA-T22/32



No.	Description
1	AC
2	100/110V   200/220V
3	Load voltage
4	CT1
5	CT 1 input
6	CT2
7	CT 2 input
8	Ground
9	

No.	Description
10	AC
11	100/110V   200/220V
12	Power supply
13	NC
14	C
15	NO
16	NC
17	C
18	NO
	Alarm
	Alarm