

SSN



Features

- ☆ DIN rail mounted compact SSR unit including heat-sink
- ☆ Dimensions: 21.5 x 100 x 100 mm (WxHxD) or 0.85 x 3.9 x 3.9 inches
- ☆ Close mounting on DIN rail. 172mm wide (6.8 inches wide) for 8 SSRs *1
- ☆ CE, UL/c-UL approved

*1 Maximum load current will vary depending on number of close mounted units.

Specifications

Max. Load Current

15A AC, 25A AC

Min. Load Current

100mA AC

Peak 1 Cycle Surge Current

15A type : 150A (50Hz)

25A type : 250A (50Hz)

Input Signal

DC voltage pulse input, LOW(OFF) : 0V, HIGH (ON) : 4.5 to 30V

• Input impedance : 450 to 3.0kΩ (Built-in fixed current circuit : 10mA)

Response Time

0.5cycle + 1msec

On State Voltage Drop

1.6V (RMS), 240V AC

Load Voltage

60 to 280V AC (47 to 63Hz)

Insulation Resistance

More than 100MΩ (500V DC)

Dielectric Strength

2500V AC for one minute between input and output terminals

Operating Environments

-30 to +40°C, 45 to 85% (Non-condensing)

• See Temperature characteristics of load current

Net Weight

Approx. 220g

Off State Leakage Current

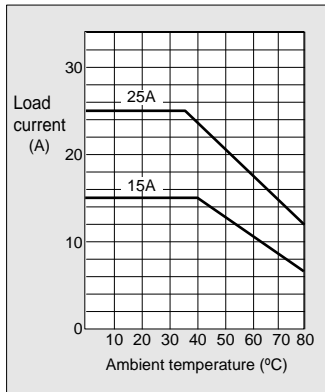
9mA, 240V AC

Compliance with Standards

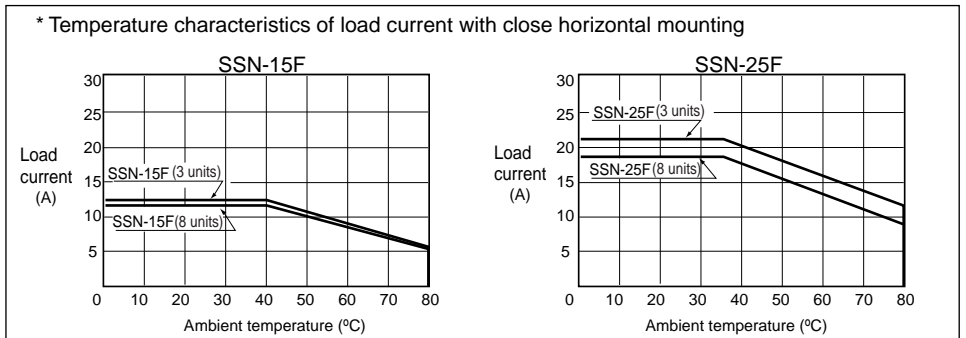
- CE Mark
- UL Recognized
- cUL Recognized



Temperature characteristics of load current



* Temperature characteristics of load current with close horizontal mounting

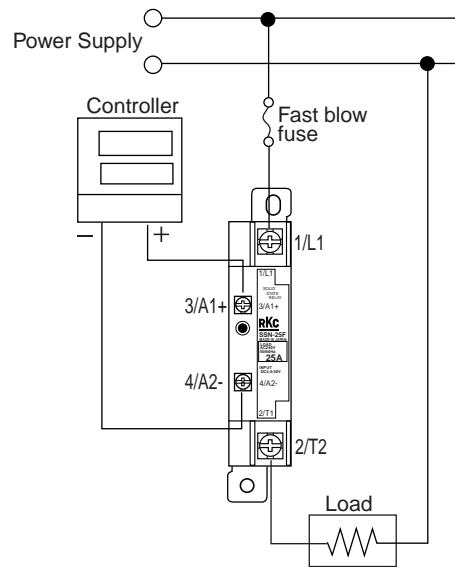


Solid State Relay SSN

Model and Suffix Code

Specifications	Model and Suffix Code		
Model	SSN	-	<input type="checkbox"/> <input type="checkbox"/>
Max. Load current	15A		15
	25A		25
Radiation fin	With fin		F

External Wiring



External Dimensions

