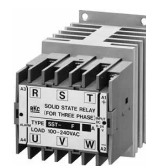


THYCO-10



Thyristor unit



Solid state relay for three phase (SST)

Features

Power Controller (Phase angle control type)

Phase Angle Control

Model PHB of the THYCO-10 series is a SCR power controller with phase angle control.

Phase angle control provides accuracy through cutting part of the sine wave to control the power supply to the load.

Available in Ratings from 20 to 200 Amps

Model PHB is available in load current ratings from 20 to 200 amps, and in power supply voltage from 100 to 440VAC.

Wide Variety of Functions

Soft-start function is standard for all models.

As optional functions, Auto/manual transfer, output v.s. input signal ratio setting, fast-blow fuse, and fast-blow fuse break alarm are available.

Solid State Relay

Zero-Cross Control

Model SST are solid state relays with zero-cross control.

Available in Ratings from 10 to 30 Amps

Model SST is available in load current ratings from 10 to 30 amps.

Variety of Functions

The input lamp enables you to check the input signal from the controller.

The input side and the output side are completely isolated.

Optional solid-state element failure detecting function allows you to find the place of failure.

Model and Suffix Code

Power controller (Phase angle control)

Specifications	Model and Suffix Code									
Model	□ □ PHB- □ □ □ □									
Phase type	Single phase	1								
	Three phases	3								
Supply voltage	100V AC, 110V AC (Specify either)	1								
	200V AC, 220V AC (Specify either)	2								
	380V AC	3								
	400V AC, 440V AC (Specify either)	4								
Control type	Phase control type					PHB				
Rated current	20A AC Maximum						020			
	30A AC Maximum						030			
	50A AC Maximum						050			
	70A AC Maximum						070			
	100A AC Maximum						100			
	150A AC Maximum						150			
	200A AC Maximum						200			
Load type	Linear (Resistive) load								R	
	Inductive (L) load								L	
Input signal	1 to 5V DC									6
	4 to 20mA DC									8
Options & nonstandard supply voltage	Auto/manual transfer, output v.s. input signal ratio setting									- 1
	Fuse break alarm (Available with fast-blow fuse function)									- 4
	High / Low control									- 5
	With fast-blow fuse									- F
	Customized power supply voltage (Specify the voltage when ordering)									- T

SSR Unit

Specifications	Model and Suffix Code	
Model	Three phases SSR	SST-□ F □
Rated current	10A AC	10 F
	20A AC	20 F
	30A AC	30 F
Function	No function	N
	Solid-state element break detect function	A

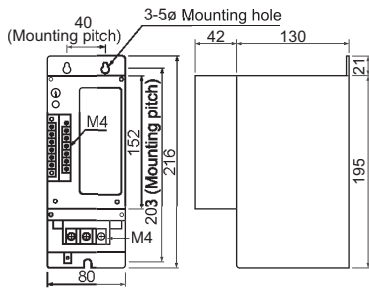
Power Controller, Solid State Relay THYCO-10 Series

External Dimensions

Unit:mm

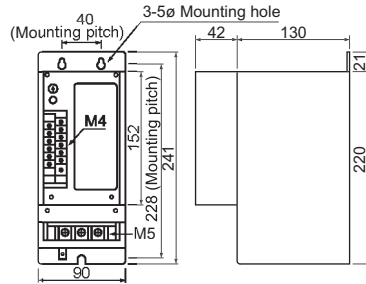
Single-phase power controller: 1 □ PHB

20A, 30A type



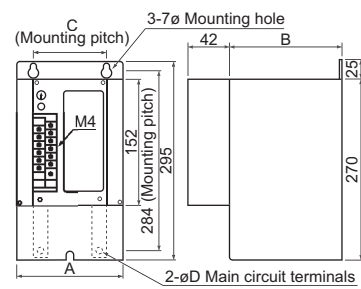
Net weight (kg)	
20A	1.9
30A	2.1

50A type



Net weight (kg)	
50A	2.7

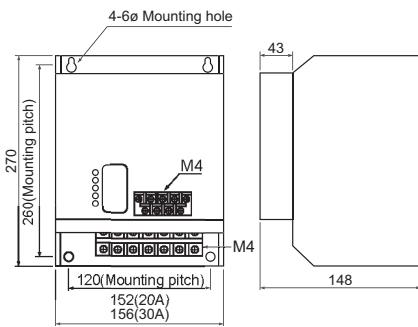
70A, 100A, 150A, 200A type



	70A,100A	150A,200A	Net weight (kg)
A	120	140	70A: 4.2
B	177	222	100A: 5.0
C	60	80	150A: 7.4
∅D	8.5	10.5	200A: 7.4

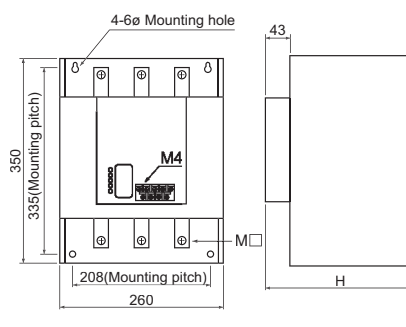
Three-phase power controller: 3 □ PHB

20A, 30A type



Net weight (kg)	
20A	3.0
30A	3.6

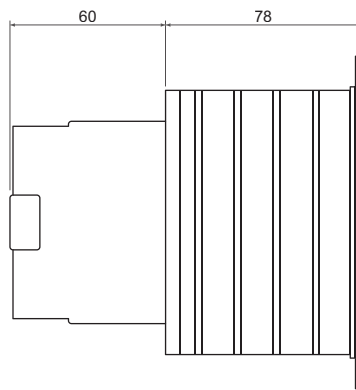
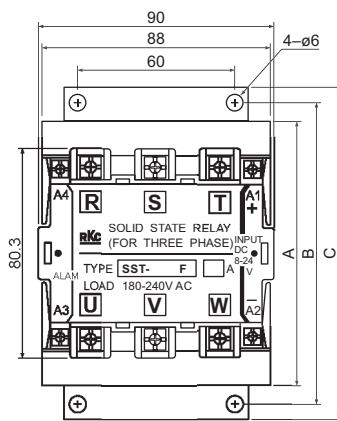
50A, 70A, 100A, 150A, 200A type



50A	H=193	M8
70A,100A	H=233	M8
150A,200A	H=253	M10

Net weight (kg)	
50A	8.8
70A	10.8
100A	11.4
150A	14.3
200A	19.3

Three-phase SSR unit: SST



	A	B	C
SST-10F□	80	92	104
SST-20F□	100	113	125
SST-30F□	145	158	170