

TRY-10



General Description

The TRY-10 series is DIN rail mount signal transmitter. There are three types of TRY-10, transmitter, signal limiter, and alarm unit. A industry standard plug-in type socket has been adopted for the terminal block so that it is easy for maintenance.

<TRY-10T (Transmitter)>

TRY-10T changes the signal type from thermocouple, RTD and voltage/current to the various range of voltage/current. It optionally provides isolation between input and output.

Two output type is available. Volumes for zero and span adjustment are provided.

<TRY-10L (Limiter)>

TRY-10L limits the current/voltage signal from the controller. Optional isolation between input and output is available.

<TRY-10A (Alarm Setter)>

TRY-10A is an alarm unit which monitors the input signal value and generate an alarm. Input type is voltage/current, and output type is form C or form A contact.

Model and Suffix Code

TRY-10T (Transmitter)

Specification	Model and Suffix Code	
Model	TRY-10TD	-□□□□*□□□□
Input type	Thermocouple (Except Type B) Thermocouple (Type B) RTD 0 to 10mV DC mV, V, mA (Except 0 to 10mV DC)	C B R M V
Number of output	Single output Dual outputs	1 2
Isolation	No isolation between input and output With isolation between input and output	N Y
Power supply	100 to 240V AC 24V DC	AC DC
Input signal	See signal code table	□
Output signal 1	See signal code table	□
Output signal 2	No output See signal code table	N □

TRY-10L (Limiter)

Specification	Model and Suffix Code	
Model	TRY-10LD	-□ 1 □□*□□□□
Input type	0 to 10mV DC mV, V, mA (Except 0 to 10mV DC)	M V
Number of output	Single output	1
Isolation	No isolation between input and output With isolation between input and output	N Y
Power supply	100 to 240V AC 24V DC	AC DC
Input signal	See signal code table	□
Output signal	See signal code table	□

TRY-10A (Alarm setter)

Specification	Model and Suffix Code	
Model	TRY-10AD	-□□□□□□□□*□□□□
Input type	0 to 10mV DC mV, V, mA (Except 0 to 10mV DC)	M V
Alarm 1 type	High alarm Low alarm Low alarm with hold	A B C
Alarm 1 output	Relay contact output (Form A contact) Relay contact output (Form C contact) Open collector output SSR output	M C D T
Alarm 2 type	High alarm Low alarm Low alarm with hold	A B C
Alarm 2 output	Relay contact output (Form A contact) Relay contact output (Form C contact) Open collector output SSR output	M C D T
Power supply	100 to 240V AC 24V DC	AC DC
Input signal	See signal code table	□

Signal code table

11	0 - 10mV DC	21	0 - 1mA DC
12	0 - 100mV DC	22	0 - 10mA DC
13	0 - 1V DC	23	0 - 16mA DC
14	0 - 5V DC	24	1 - 5mA DC
15	0 - 10V DC	25	2 - 10mA DC
16	1 - 5V DC	26	10 - 50mA DC
—	—	27	0 - 20mA DC
—	—	28	4 - 20mA DC

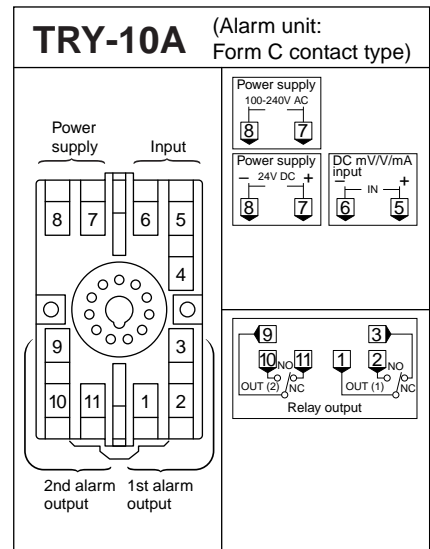
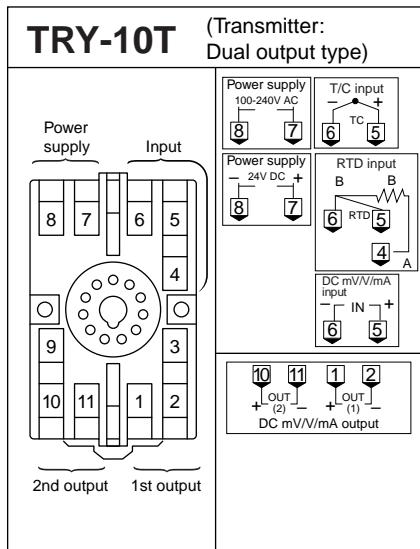
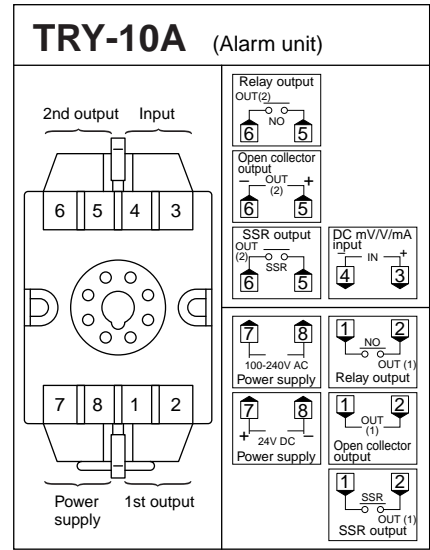
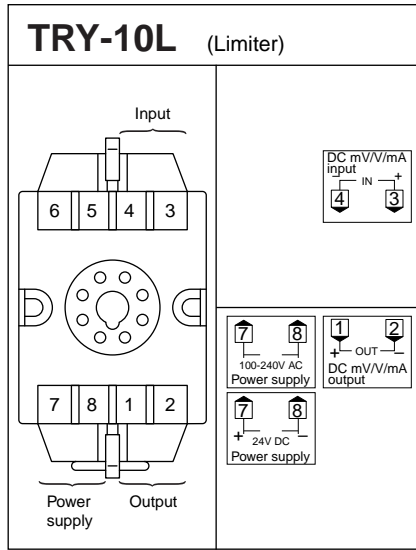
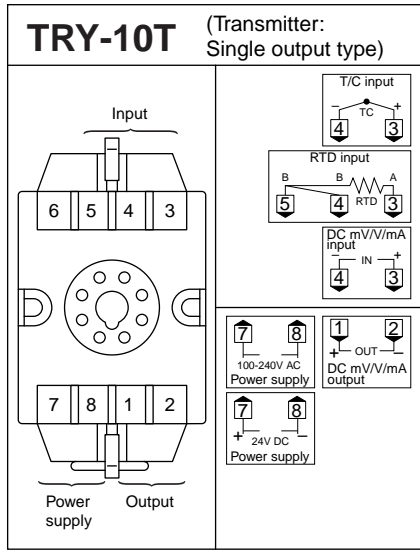
31	K	0 - 200°C
32	K	0 - 400°C
33	K	0 - 600°C
34	K	0 - 800°C
35	K	0 - 1000°C
36	K	0 - 1200°C
37	J	0 - 200°C
38	J	0 - 400°C
39	J	0 - 600°C
40	E	0 - 200°C
41	E	0 - 400°C
42	E	0 - 600°C
43	E	0 - 800°C
44	T	-150 - 150°C
45	T	-100 - 200°C
46	T	-50 - 150°C
47	T	0 - 100°C
48	T	0 - 200°C
49	T	0 - 300°C
50	R	0 - 1600°C
51	S	0 - 1600°C
52	N	0 - 1300°C
53	PLII	0 - 1300°C
54	W5Re/W26Re	0 - 2000°C
55	B	800 - 1800°C
71	JPt100	-200 - 100°C
72	JPt100	-100 - 100°C
73	JPt100	-50 - 100°C
74	JPt100	0 - 100°C
75	JPt100	0 - 200°C
76	JPt100	0 - 300°C
77	JPt100	0 - 400°C
78	JPt100	0 - 500°C
81	Pt100	-200 - 100°C
82	Pt100	-100 - 100°C
83	Pt100	-50 - 100°C
84	Pt100	0 - 100°C
85	Pt100	0 - 200°C
86	Pt100	0 - 300°C
87	Pt100	0 - 400°C
88	Pt100	0 - 500°C

Note:

Code number 21 (0 - 1mA DC), no.26 (10 - 50mA DC) and no.31 to 88 are not available for output.

External Dimensions and Socket Terminals

Socket Terminal Layout (Socket is sold separately)



External Dimensions

(Unit: mm)

