

Thank you for purchasing this RKC product. In order to achieve maximum performance and ensure proper operation of your new instrument, carefully read all the instructions in the manual. Please place this manual in a convenient location for easy reference.

This manual describes the mounting, wiring and specifications only.

For detailed handling procedures and operations, refer to separate **COM-JC [For SRZ] Instruction Manual (IMR01Y34-E0)**.

The manual can be downloaded from the official RKC website:  
[http://www.rkcinst.com/english/manual\\_load.htm](http://www.rkcinst.com/english/manual_load.htm).

## Product Check

COM-JC [For SRZ] Installation Manual (IMR01Y22-E2)	1
COM-JC [For SRZ] Quick Instruction Manual (IMR01Y26-E0)	1
COM-JC [For SRZ] Communication Data List (IMR01Y30-E0)	1

## Safety Precautions



**WARNING**

- An external protection device must be installed if failure of this instrument could result in damage to the instrument, equipment or injury to personnel.
- All wiring must be completed before power is turned on to prevent electric shock, fire or damage to instrument and equipment.
- This instrument must be used in accordance with the specifications to prevent fire or damage to instrument and equipment.
- This instrument is not intended for use in locations subject to flammable or explosive gases.
- Do not touch high-voltage connections such as power supply terminals, etc. to avoid electric shock.
- RKC is not responsible if this instrument is repaired, modified or disassembled by other than factory-approved personnel. Malfunction can occur and warranty is void under these conditions.

**CAUTION**

- This product is intended for use with industrial machines, test and measuring equipment. (It is not designed for use with medical equipment and nuclear energy.)
- This is a Class A instrument. In a domestic environment, this instrument may cause radio interference, in which case the user may be required to take additional measures.
- This instrument is protected from electric shock by reinforced insulation. Provide reinforced insulation between the wire for the input signal and the wires for instrument power supply, source of power and loads.
- Be sure to provide an appropriate surge control circuit respectively for the following:
  - If input/output or signal lines within the building are longer than 30 meters.
  - If input/output or signal lines leave the building, regardless the length.
- This instrument is designed for installation in an enclosed instrumentation panel. All high-voltage connections such as power supply terminals must be enclosed in the instrumentation panel to avoid electric shock by operating personnel.
- All precautions described in this manual should be taken to avoid damage to the instrument or equipment.
- All wiring must be in accordance with local codes and regulations.
- To prevent instrument damage or failure, protect the power line and the input/output lines from high currents with a protection device such as fuse, circuit breaker, etc.
- Prevent metal fragments or lead wire scraps from falling inside instrument case to avoid electric shock, fire or malfunction.
- Tighten each terminal screw to the specified torque found in the manual to avoid electric shock, fire or malfunction.
- For proper operation of this instrument, provide adequate ventilation for heat dispensation.
- Do not connect wires to unused terminals as this will interfere with proper operation of the instrument.
- Turn off the power supply before cleaning the instrument.
- Do not use a volatile solvent such as paint thinner to clean the instrument. Deformation or discoloration will occur. Use a soft, dry cloth to remove stains from the instrument.
- To avoid damage to instrument display, do not rub with an abrasive material or push front panel with a hard object.

## NOTICE

- This manual assumes that the reader has a fundamental knowledge of the principles of electricity, process control, computer technology and communications.
- The figures, diagrams and numeric values used in this manual are only for purpose of illustration.
- RKC is not responsible for any damage or injury that is caused as a result of using this instrument, instrument failure or indirect damage.
- RKC is not responsible for any damage and/or injury resulting from the use of instruments made by imitating this instrument.
- Periodic maintenance is required for safe and proper operation of this instrument. Some components have a limited service life, or characteristics that change over time.
- Every effort has been made to ensure accuracy of all information contained herein. RKC makes no warranty expressed or implied, with respect to the accuracy of the information. The information in this manual is subject to change without prior notice.
- No portion of this document may be reprinted, modified, copied, transmitted, digitized, stored, processed or retrieved through any mechanical, electronic, optical or other means without prior written approval from RKC.

## 1. MOUNTING



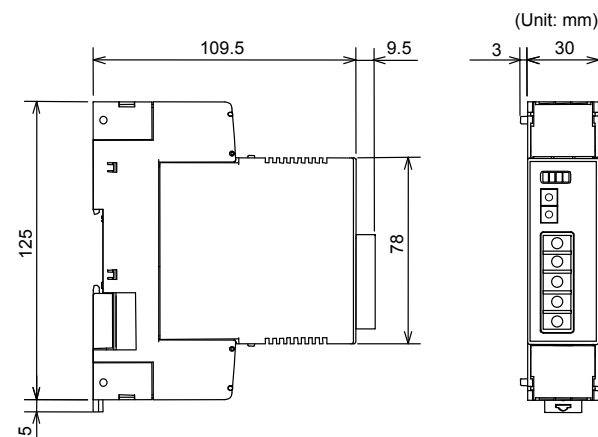
**WARNING**

To prevent electric shock or instrument failure, always turn off the power before mounting or removing the instrument.

### 1.1 Mounting Cautions

- (1) This instrument is intended to be used under the following environmental conditions. (IEC61010-1) [OVERVOLTAGE CATEGORY II, POLLUTION DEGREE 2]
- (2) Use this instrument within the following environment conditions.
  - Allowable ambient temperature: -10 to +50 °C
  - Allowable ambient humidity: 5 to 95 % RH (Absolute humidity: MAX. W. C 29.3 g/m<sup>3</sup> dry air at 101.3 kPa)
  - Installation environment conditions: Indoor use  
Altitude up to 2000 m
- (3) Avoid the following conditions when selecting the mounting location:
  - Rapid changes in ambient temperature which may cause condensation.
  - Corrosive or inflammable gases.
  - Direct vibration or shock to the mainframe.
  - Water, oil, chemicals, vapor or steam splashes.
  - Excessive dust, salt or iron particles.
  - Excessive induction noise, static electricity, magnetic fields or noise.
  - Direct air flow from an air conditioner.
  - Exposure to direct sunlight.
  - Excessive heat accumulation.
- (4) Mount this instrument in the panel considering the following conditions:
  - Ensure at least 50 mm space on top and bottom of the instrument for maintenance and environmental reasons.
  - Do not mount this instrument directly above equipment that generates large amount of heat (heaters, transformers, semi-conductor functional devices, large-wattage resistors).
  - If the ambient temperature rises above 50 °C, cool this instrument with a forced air fan, cooler, etc. Cooled air should not blow directly on this instrument.
  - In order to improve safety and the immunity to withstand noise, mount this instrument as far away as possible from high voltage equipment, power lines, and rotating machinery.
    - High voltage equipment: Do not mount within the same panel.
    - Power lines: Separate at least 200 mm.
    - Rotating machinery: Separate as far as possible.
- (5) If this instrument is permanently connected to equipment, it is important to include a switch or circuit-breaker into the installation. This should be in close proximity to the equipment and within easy reach of the operator. It should be marked as the disconnecting device for the equipment.

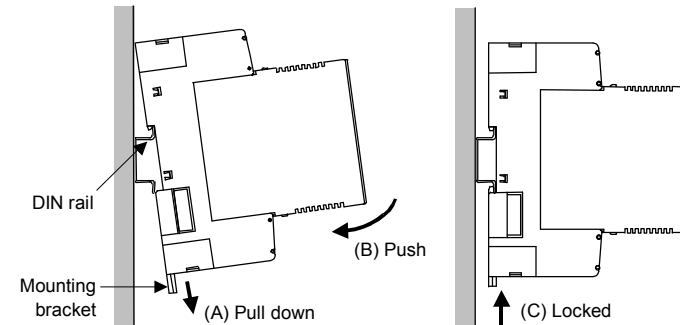
### 1.2 Dimensions



## 1.3 DIN Rail Mounting

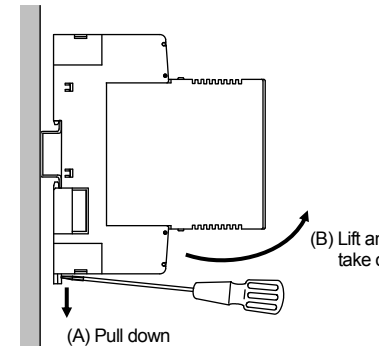
### Mounting procedures

1. Pull down the mounting bracket at the bottom of the module (A). Attach the hooks on the top of the module to the DIN rail and push the lower section into place on the DIN rail (B).
2. Slide the mounting bracket up to secure the module to the DIN rail (C).



### Removing procedures

Pull down a mounting bracket with a blade screwdriver (A). Lift the module from bottom, and take it off (B).

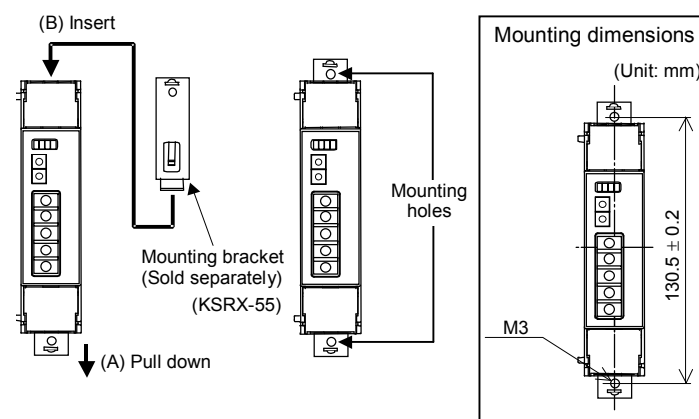


## 1.4 Panel Mounting

### Mounting procedures

1. Pull down the mounting bracket (A) until locked and that a mounting hole appears.
2. Prepare one mounting bracket per module (B) sold separately (KSRX-55) and then insert it in the rear of the terminal board at top of the module until locked but a mounting hole does not disappear.
3. Mount each module directly on the panel with screws which are inserted in the mounting holes of the top and bottom mounting brackets.  
Recommended tightening torque: 0.3 N·m (3 kgf·cm)

The customer needs to provide the M3 size screws. Select the screw length that matches the mounting panel.



## 2. WIRING

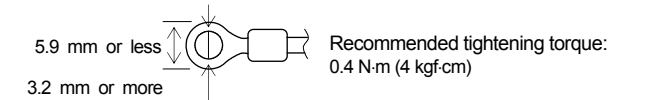


**WARNING**

To prevent electric shock or instrument failure, do not turn on the power until all wiring is completed. Make sure that the wiring is correct before applying power to the instrument.

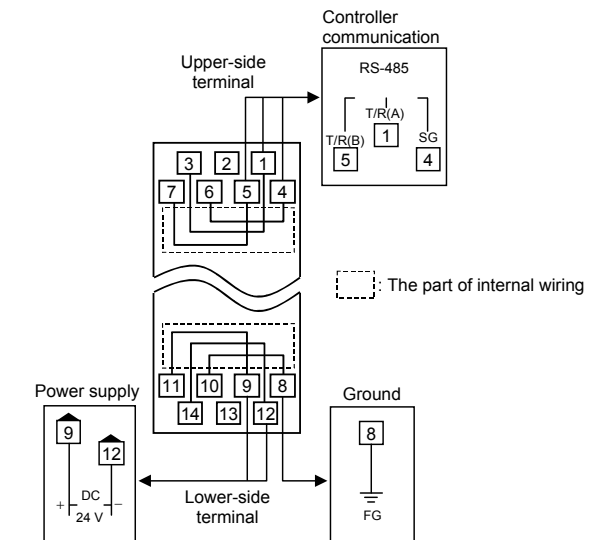
### 2.1 Wiring Cautions

- To avoid noise induction, keep communication signal wire away from instrument power line, load lines and power lines of other electric equipment.
- If there is electrical noise in the vicinity of the instrument that could affect operation, use a noise filter.
  - Shorten the distance between the twisted power supply wire pitches to achieve the most effective noise reduction.
  - Always install the noise filter on a grounded panel. Minimize the wiring distance between the noise filter output and the instrument power supply terminals to achieve the most effective noise reduction.
  - Do not connect fuses or switches to the noise filter output wiring as this will reduce the effectiveness of the noise filter.
- Power supply wiring must be twisted and have a low voltage drop.
- For an instrument with 24 V power supply, supply power from a SELV circuit.
- A suitable power supply should be considered in end-use equipment. The power supply must be in compliance with a limited-energy circuits (maximum available current of 8 A).
- Use the solderless terminal appropriate to the screw size (M3).



- Make sure that the any wiring such as solderless terminal is not in contact with the adjoining terminals.

### 2.2 Terminal Configuration

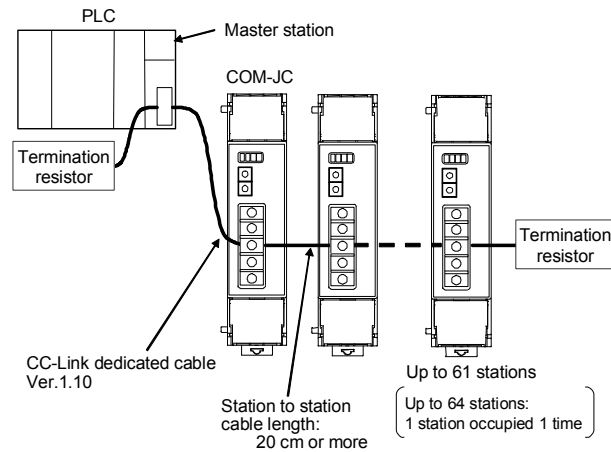


- As controller communication terminal No. 1, 4 and 5 are internally connected to terminal No. 3, 6 and 7, any terminals can be used.
- As ground and power supply terminal No. 8, 9 and 12 are internally connected to terminal No. 10, 11 and 14, any terminals can be used.
- Terminal No. 2 and 13 is not used.

## 2.3 Connection to PLC

### Method to connect

The PLC (master station) and COM-JC make multi-drop connection in CC-Link dedicated cable Ver. 1.10.

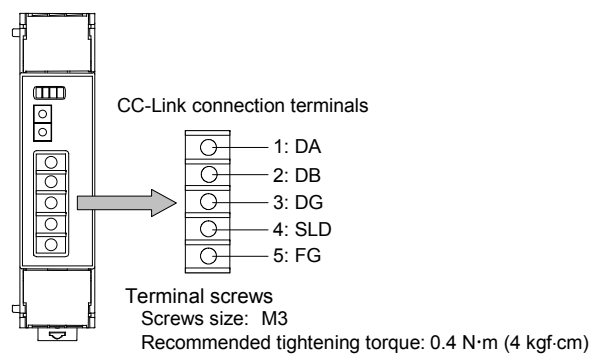


Communication speed and maximum transmitter distance

Communication speed	Station to station cable length	Maximum transmitter distance (maximum length of network)
10 Mbps	20 cm or more	100 m
5 Mbps		160 m
2.5 Mbps		400 m
625 kbps		900 m
156 kbps		1200 m

### Terminal numbers and signal details

Terminal No.	Signal name	Symbol	Cable color
1	Data A	DA	Blue
2	Data B	DB	White
3	Data ground	DG	Yellow
4	Shield	SLD	Grounding wire (Shield)
5	Frame ground	FG	—



The CC-Link connecting terminal cannot do on-line installation or dismount for terminal block of dismount impossibility. The device cannot be replaced unless the link is set off-line. In addition, FG (frame ground) terminal of terminal number 5 is FG in a CC-Link function, and it is not FG of instrument all.

Ground both ends of the shield wire on the twisted pair cable via the SLD or FG terminal of each module. In addition, the SLD terminal is internally connected with the FG terminal.

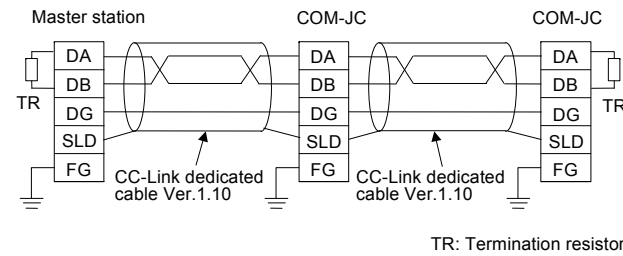
Do not ground the instrument together with other equipment. In addition, use grounding wires with across section of 2.0 mm<sup>2</sup> or more. (Ground resistance: 100 ohm or less)

For cable specifications, connection method and vendor, refer to the website of CC-Link Partner Association.

URL: <http://www.cc-link.org/>

## Connection diagram

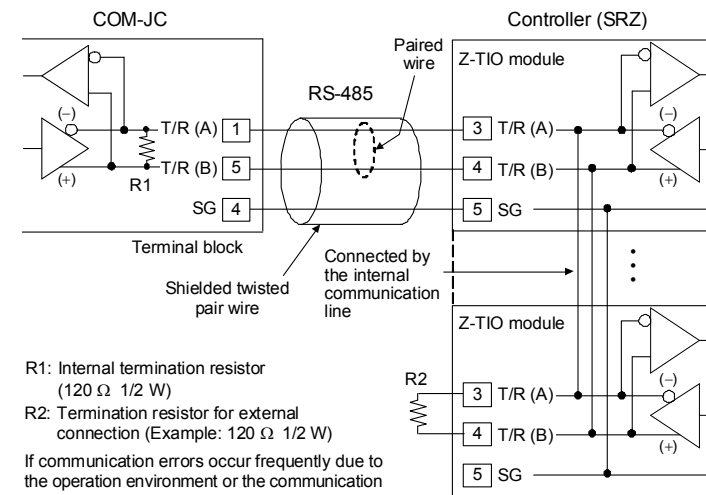
Always connect a termination resistor between the DA and DB terminals of the module to be located at the far end. Termination resistor: 110 Ω ± 5 % 1/2 W



## 2.4 Connection to the Controllers

Conduct wiring between the COM-JC and controller (SRZ) as shown in the following.

### Connection diagram



R1: Internal termination resistor (120 Ω 1/2 W)

R2: Termination resistor for external connection (Example: 120 Ω 1/2 W)

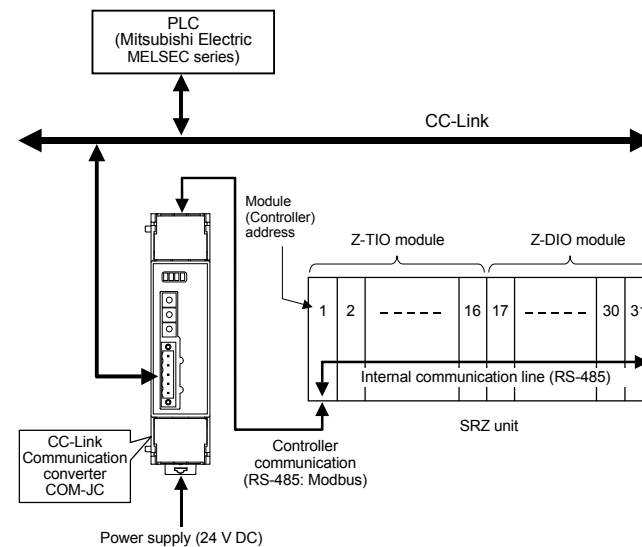
If communication errors occur frequently due to the operation environment or the communication distance, connect termination resistors.

Up to 16 Z-TIO modules can be connected.

The maximum number of SRZ modules (including other function modules) on the same communication line is 31. (Connectable module type to COM-JC: Z-TIO-A, Z-TIO-B, Z-DIO-A)

- The cable and termination resistor for external connection must be provided by the customer.
- The termination resistor existing within the COM-JC can be connected or disconnected by the switch. (Factory set value: Termination resistor connected)

## 2.5 System Configuration Example



## Relationship between number of occupied station/extended cyclic and number of CC-Link assignment channel

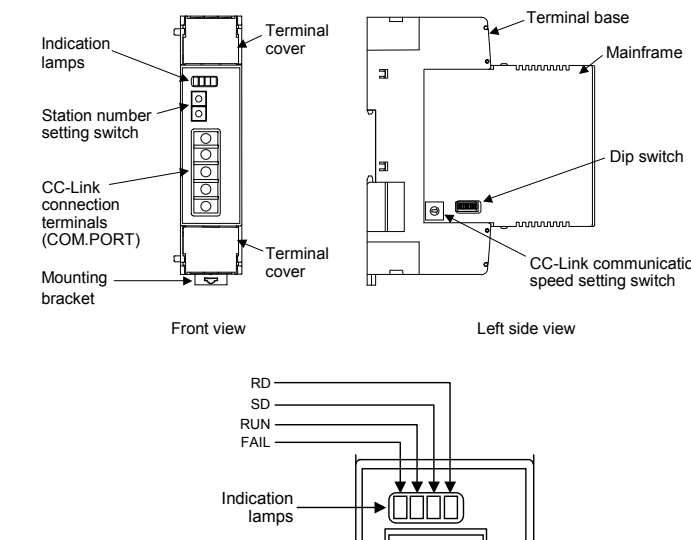
Number of occupied station/extended cyclic	Maximum number of CC-Link assignment channel *
1 station occupied 1 time	2 channels
4 stations occupied 1 time	16 channels
4 stations occupied 2 times	32 channels
4 stations occupied 4 times	64 channels

\* The number of channels used depends on the data type.

On a Z-TIO module (4-channel type), four channels are used if the data is channel data; however, only one channel is used if the data is module data. For example, when 16 Z-TIO modules (4-channel type) are connected, 64 channels are used for channel data, or 16 channels are used for module data.

In the case of 1 station occupied 1 time, the maximum number of CC-Link assignment channels is two channels, and thus it may not be possible to use the amount of data of one module, depending on the data type. For this reason, caution is necessary when using 1 station occupied 1 time. [Example] When one Z-TIO module (4-channel type) is connected, CH3 and CH4 data cannot be used.

## 3. PARTS DESCRIPTION



### Indication lamps

Lamp	Color	When instrument abnormally:	When normally:
FAIL	[Red]	• CC-Link setting error: Turns on • CC-Link operation error: Flashes slowly • CC-Link setting is changed: Flashes rapidly	Turns on
RUN	[Green]	• When normally: Turns on • Operation error: Flashes slowly • During controller communication initialization: Flashes rapidly	Turns on
SD	[Green]	During CC-Link data send:	Turns on
RD	[Green]	During CC-Link data receive:	Turns on

### CC-Link connection terminals

COM. PORT	Terminals for PLC (Master) connection
-----------	---------------------------------------

### Switches

Station number setting switch	Set the station number for CC-Link
CC-Link communication speed setting switch	Set the communication speed for CC-Link
Dip switch	• Set the number of occupied station/extension cyclic for CC-Link • Set the communication speed for controller communication

### Others

Terminal cover	Terminal covers above and below the COM-JC
Mounting bracket	• Used for the DIN rail mounting • When panel mounted, two mounting brackets are required for the upper and lower sides (one required for the upper side: separately sold).
Terminal base	Part of the terminal and base of COM-JC (There is the termination resistor transfer switch in the inside of terminal base)
Mainframe	Part of the mainframe of COM-JC

## 4. SPECIFICATIONS

### CC-Link communication

Protocol:	CC-Link Ver. 1.10/Ver. 2.00
Communication speed:	156 kbps, 625 kbps, 2.5 Mbps, 5 Mbps, 10 Mbps
Station number:	1 to 61 (4 stations occupied 1 time, 4 stations occupied 2 times, and 4 stations occupied 4 times) 1 to 64 (1 station occupied 1 time)
Connection cable:	CC-Link dedicated cable Ver. 1.10 (Shielded twisted pair wire)
Number of occupied station/extended cyclic and CC-Link version:	CC-Link Ver. 1.10: 1 station occupied 1 time, 4 stations occupied 1 time CC-Link Ver. 2.00: 4 stations occupied 2 times, 4 stations occupied 4 times

### Controller communication

Interface:	Based on RS-485, EIA standard
Protocol:	Modbus-RTU
Communication speed:	9600 bps, 19200 bps, 38400 bps
Data bit configuration:	Data 8-bit, Without parity, Stop 1-bit
Maximum connections:	31 controllers (SRZ) *

\* A combined total of up to 31 Z-TIO and Z-DIO modules can be connected in the SRZ. However, the maximum joinable number of functional modules of the same type is 16.

### General specifications

Power supply voltage:	24 V DC
Power supply voltage range:	21.6 V DC to 26.4 V DC
Power consumption:	120 mA max. (at 24 V DC)
Rush current:	12 A or less
Allowable ambient temperature range:	-10 to +50 °C
Allowable ambient humidity range:	5 to 95 %RH (Non condensing) (Absolute humidity: MAX.W.C 29.3 g/m <sup>3</sup> dry air at 101.3 kPa)
Installation environment conditions:	Indoor use Altitude up to 2000 m
Weight:	Approx. 220 g

### Standard

Safety standard:	UL: UL61010-1 cUL: CAN/CSA-C22.2 No. 61010-1
CE marking:	LVD: EN61010-1 EMC: EN61326-1
C-Tick:	EN55011

## 5. MODEL CODE

COM-JC \* 02 - □  
(1) (2)

- (1) Corresponding to the RKC temperature controller  
02: SRZ
- (2) RUN/STOP logic selection  
1: 0: RUN  
1: STOP  
2: 0: STOP  
1: RUN

CC-Link is a registered trademark of Mitsubishi Electric Co. Ltd.  
Modbus is a registered trademark of Schneider Electric.  
Company names and product names used in this manual are the trademarks or registered trademarks of the respective companies.

**RKC** RKC INSTRUMENT INC. The first edition: JUL. 2007 [IMQ00]  
The second edition: SEP. 2011 [IMQ00]  
HEADQUARTERS: 16-6, KUGAHARA 5-CHOME, OHTA-KU TOKYO 146-8515 JAPAN  
PHONE: 03-3751-9799 (+81 3 3751 9799) E-mail: info@rkcinst.co.jp  
FAX: 03-3751-8585 (+81 3 3751 8585) Website: <http://www.rkcinst.com/> SEP. 2011