

---

---

---

---

---

---

*Communication Converter*

***COM-E***

***Instruction Manual***


- MONITOUCH V6 series are products manufactured by Hakko Electronics Co., Ltd.
- The respective products of the programmable controller (PLC) are products manufactured by the respective companies.
- Other names of products or manufacturers used in this manual are trademarks or registered trademarks of the respective companies.


Thank you for purchasing the RKC product. In order to achieve maximum performance and ensure proper operation of your new instrument, carefully read all the instructions in this manual. Please place the manual in a convenient location for easy reference.


## SYMBOLS


**WARNING** : This mark indicates precautions that must be taken if there is danger of electric shock, fire, etc., which could result in loss of life or injury.

**CAUTION** : This mark indicates that if these precautions and operating procedures are not taken, damage to the instrument may result.

 : This mark indicates that all precautions should be taken for safe usage.


 : This mark indicates important information on installation, handling and operating procedures.

 : This mark indicates supplemental information on installation, handling and operating procedures.


 : This mark indicates where additional information may be located.

• Various symbols are used on the equipment, they have the following meaning.

 : Direct current

 : Functional grounding terminal

 : Reinforced insulation

 : Safety precaution (Refer to the this Manual)

### **WARNING**

- To prevent injury to persons, damage to instrument and equipment, a suitable external protection device shall be required.
- All wiring must be completed before power is turned on to prevent electric shock, fire or damage to instrument and equipment.
- This instrument must be used in accordance with the specifications to prevent fire or damage to instrument and equipment.
- This instrument is not intended for use in locations subject to flammable or explosive gases.
- Do not touch high-voltage connections such as power supply terminals, etc. to avoid electric shock.
- RKC is not responsible if this instrument is repaired, modified or disassembled by other than factory-approved personnel. Malfunction can occur and warranty is void under these conditions.

## **CAUTION**

- This product is intended for use with industrial machines, test and measuring equipment. (It is not designed for use with medical equipment and nuclear energy.)
- This is a Class A instrument. In a domestic environment, this instrument may cause radio interference, in which case the user may be required to take additional measures.
- This instrument is protected from electric shock by reinforced insulation. Provide reinforced insulation between the wire for the input signal and the wires for instrument power supply, source of power and loads.
- Be sure to provide an appropriate surge control circuit respectively for the following:
  - If input/output or signal lines within the building are longer than 30 meters.
  - If input/output or signal lines leave the building, regardless the length.
- This instrument is designed for installation in an enclosed instrumentation panel. All high-voltage connections such as power supply terminals must be enclosed in the instrumentation panel to avoid electric shock by operating personnel.
- All precautions described in this manual should be taken to avoid damage to the instrument or equipment.
- All wiring must be in accordance with local codes and regulations.
- All wiring must be completed before power is turned on to prevent electric shock, instrument failure, or incorrect action.

The power must be turned off before repairing work for input break and output failure including replacement of sensor, contactor or SSR, and all wiring must be completed before power is turned on again.
- To prevent instrument damage as a result of failure, protect the power line and the input/output lines from high currents with a suitable overcurrent protection device with adequate breaking capacity such as a fuse, circuit breaker, etc.
- Prevent metal fragments or lead wire scraps from falling inside instrument case to avoid electric shock, fire or malfunction.
- Tighten each terminal screw to the specified torque found in the manual to avoid electric shock, fire or malfunction.
- For proper operation of this instrument, provide adequate ventilation for heat dispensation.
- Do not connect wires to unused terminals as this will interfere with proper operation of the instrument.
- Turn off the power supply before cleaning the instrument.
- Do not use a volatile solvent such as paint thinner to clean the instrument. Deformation or discoloration will occur. Use a soft, dry cloth to remove stains from the instrument.
- To avoid damage to instrument display, do not rub with an abrasive material or push front panel with a hard object.
- Do not connect modular connectors to telephone line.
- When high alarm with hold action/re-hold action is used for Alarm function, alarm does not turn on while hold action is in operation. Take measures to prevent overheating which may occur if the control device fails.

## **NOTICE**

- This manual assumes that the reader has a fundamental knowledge of the principles of electricity, process control, computer technology and communications.
- The figures, diagrams and numeric values used in this manual are only for purpose of illustration.
- RKC is not responsible for any damage or injury that is caused as a result of using this instrument, instrument failure or indirect damage.
- RKC is not responsible for any damage and/or injury resulting from the use of instruments made by imitating this instrument.
- Periodic maintenance is required for safe and proper operation of this instrument. Some components have a limited service life, or characteristics that change over time.
- Every effort has been made to ensure accuracy of all information contained herein. RKC makes no warranty expressed or implied, with respect to the accuracy of the information. The information in this manual is subject to change without prior notice.
- No portion of this document may be reprinted, modified, copied, transmitted, digitized, stored, processed or retrieved through any mechanical, electronic, optical or other means without prior written approval from RKC.

# CONTENTS

---

	Page
<b>1. OUTLINE .....</b>	<b>1</b>
1.1 Product Outline .....	1
1.2 Confirmation of the Model Code.....	3
1.3 Parts Description.....	4
<b>2. SPECIFICATIONS .....</b>	<b>6</b>
<b>3. MOUNTING .....</b>	<b>10</b>
3.1 Mounting Environment .....	10
3.2 Dimensions .....	11
3.3 Mounting the Mother Block.....	12
3.4 Mounting the Module Mainframe.....	14
3.5 Removing the Module Mainframe .....	14
<b>4. WIRING .....</b>	<b>15</b>
4.1 Wiring Cautions.....	15
4.2 Terminal Configuration.....	16
4.3 Connection .....	17
4.3.1 Connection to PLC .....	17
4.3.2 Connection to the RKC temperature controller .....	23
4.3.3 Connection to host computer .....	28
4.3.4 Connection to operation panel .....	29
<b>5. PLC COMMUNICATION.....</b>	<b>31</b>
5.1 Rotary Switch Setting .....	31
5.2 PLC Setting .....	32
5.2.1 YOKOGAWA FA-M3 series.....	32
5.2.2 MITSUBISHI MELSEC A series (A, AnA, AnU types)/Q series/QnA series.....	33
5.2.3 OMRON SYSMAC CS1 series.....	34
5.3 The RKC Temperature Controller Setting .....	35
5.4 Communication Data.....	36
5.4.1 Request command and data transfer .....	36
5.4.2 Communications status check.....	38
5.4.3 Caution for handling communication data.....	39

---

	Page
5.5 Communication Items List .....	40
5.5.1 Reference to communication items list.....	40
5.5.2 CB100/400/500/700/900 .....	41
5.5.3 REX-F400/700/900.....	44
5.5.4 SA200.....	46
5.6 Table of Register Area Numbers vs. Register Numbers .....	49
<b>6. HOST COMMUNICATION .....</b>	<b>53</b>
6.1 Protocol.....	53
6.1.1 Communication data structure .....	53
6.1.2 Polling.....	54
6.1.3 Selecting.....	59
6.2 Communication Identifier List .....	62
6.2.1 CB100/400/500/700/900 .....	62
6.2.2 REX-F400/700/900.....	64
6.2.3 SA200.....	65
<b>7. USAGE EXAMPLE .....</b>	<b>66</b>
7.1 Configuration Instrument.....	66
7.2 Handling Procedures.....	67
7.3 Connection of Each Instrument.....	68
7.4 Communication Items and Assignment of PLC Register.....	69
7.5 Setting in Each Instrument .....	70
7.6 Initial Setting.....	73
7.7 Data Setting .....	75
<b>8. TROUBLESHOOTING .....</b>	<b>77</b>
<b>9. ASCII 7-BIT CODE TABLE.....</b>	<b>81</b>

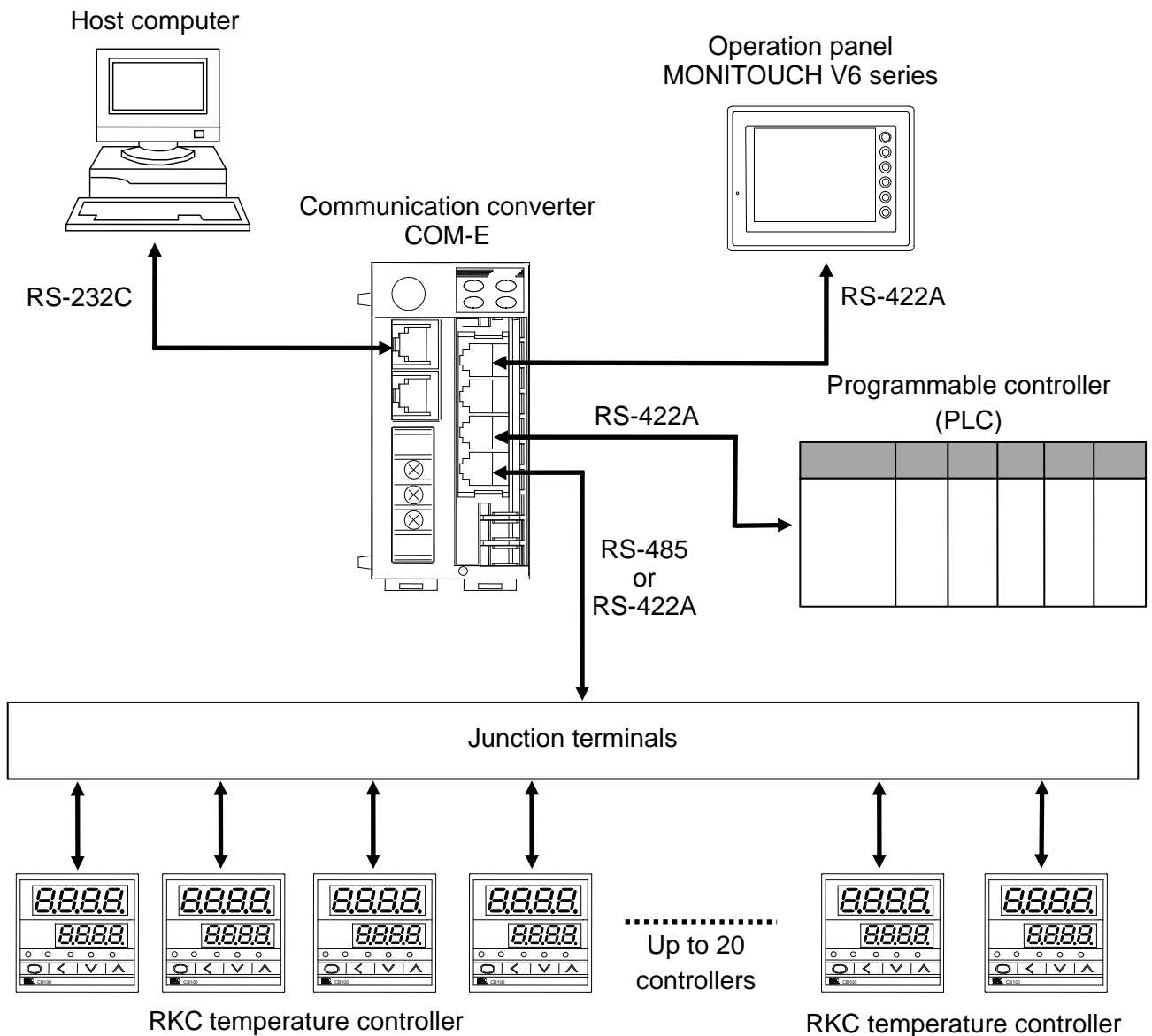
# 1. OUTLINE

This manual describes the specifications, mounting, wiring, connection, rotary switch setting and data details of the **COM-E**.

## 1.1 Product Outline

The **COM-E** communication converter (hereinafter called the **COM-E**) is a product to connect the RKC temperature controller with communication function to the programmable controller (PLC).

Also, **COM-E** has the host communication port and the operation panel (MONITOUCH V6 series made by Hakko Electronics Co., Ltd) port as the additional function.




## ■ Communication port

COM-E has the following four kinds of communication ports.

### ● PLC communication port

COM-E connects the RKC temperature controller and PLC, and works as the communication protocol converter. The PLC can connect one **COM-E**, using modular connector.

 For a specification of connecting PLC, refer to the instruction manual for the used PLC.

### ● The RKC temperature controller communication port

This is RKC standard communication port used in the RKC temperature controller.


COM-E can connect the maximum twenty controllers in multi-drop wiring.

### ● Host computer communication port

Host computer to be connected to host communication port can monitor, operate and control the system. The host computer can connect one **COM-E**, using modular connector.

### ● Operation panel communication port

COM-E connects the RKC temperature controller and operation panel, and works as the communication protocol converter. The operation panel can connect one **COM-E**, using modular connector.

 For the operation panel communication, refer to the instruction manual for the V6 series of Hakko Electronics Co., Ltd.



## 1.2 Confirmation of the Model Code

When unpacking your new instrument, please confirm that the following products are included. If the product you received is not the one ordered, please contact RKC sales office or the agent.

### ■ Communication converter

#### COM-E-□□- 01 /CE

(1) (2) (3)

#### (1) PLCs

01: YOKOGAWA PLC FA-M3 series

02: MITSUBISHI MELSEC A series (A, AnA, AnU type)/Q series/QnA series of PLCs

03: OMRON PLC SYSMAC CS1 series

#### (2) Corresponding to the RKC temperature controller

01: REX-F400/REX-F700/REX-F900

CB100/CB400/CB500/CB700/CB900

SA200

#### (3) Safety standards

No code: No CE/UL/cUL compliance

/CE: CE/UL/cUL compliance



A model code label is attached to the left side of the **COM-E**.

### ■ Modular connector cables (Sold separately)

#### W-BF-01-□□□□

“□□□□” are filled with cable length in mm. Please specify the length on your purchasing order. The standard length is “3000.”

W-BF-01: Used to connect the RKC temperature controller, PLC, or the operation panel.

If noise is a factor, customer should use a twisted pair cable (not included) or something to that effect.

### ■ Terminal converter (Sold separately: Hakko Electronics Co., Ltd)

#### TC485

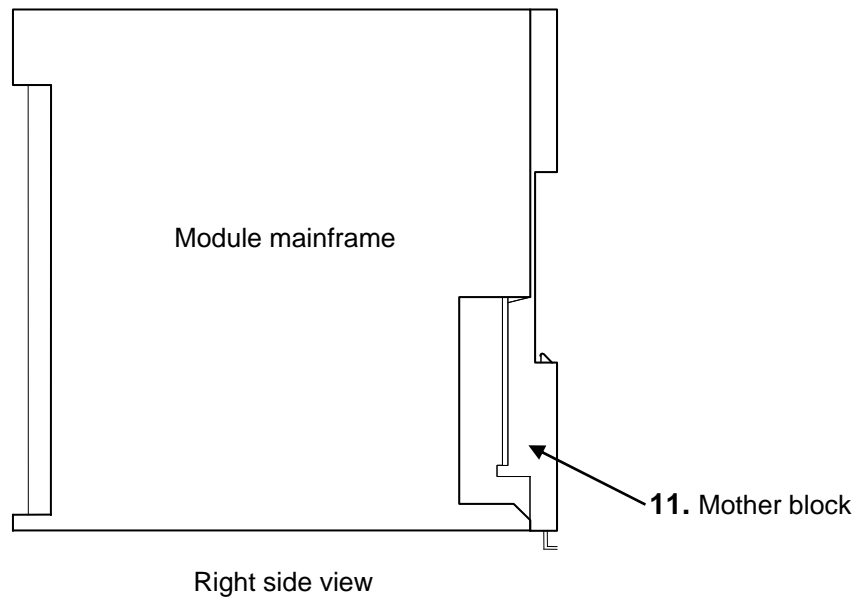
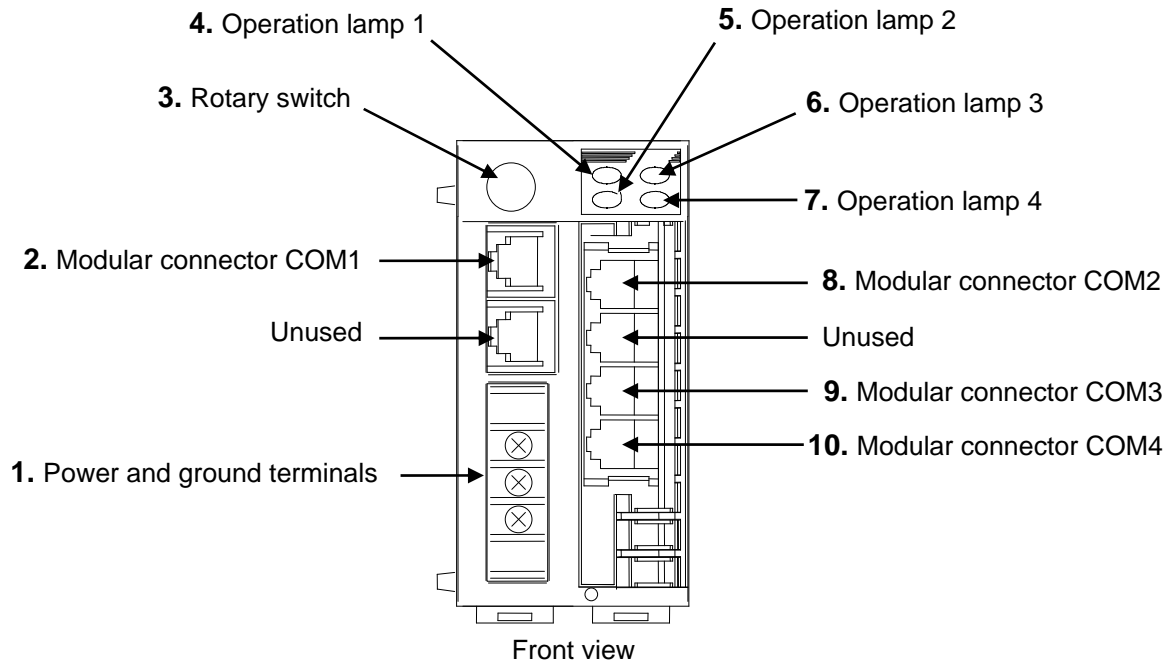
The TC485 is a converting connector for connecting the operation panel.

It is used together with the modular connector cable (W-BF-01-□□□□).

### ■ Cable to connect the host computer

The customer is requested to prepare a communication cable (cable with connector) for the **COM-E** to be connected by the host computer.

### 1.3 Parts Description



---

---

No.	Name	Description
1	Power and ground terminals	Power supply (24 V DC) and ground terminals
2	Modular connector COM1	Host communication port (for RS-232C)
3	Rotary switch	Register number selector of PLC
4	Operation lamp 1 (Yellow LED)	ON: Host communication is operating.
5	Operation lamp 2 (Yellow LED)	ON: Operation panel communication is operating.
6	Operation lamp 3 (Yellow LED) *	ON: PLC communication is operating.
7	Operation lamp 4 (Yellow LED) *	ON: Controllers communication is operating.
8	Modular connector COM2	Operation panel communication port (for RS-422A)
9	Modular connector COM3	PLC communication port (for RS-422A)
10	Modular connector COM4	The RKC temperature controller communication port
11	Mother block	Module DIN rail mounting connector

\* LED flashes on and off regardless of presence of junction of PLC and temperature controller as soon as the power is turned on.

## 2. SPECIFICATIONS

---

### ■ PLC communication

<b>Communication interface:</b>	Based on RS-422A, EIA standard
<b>Communication method:</b>	Four-wire system, multi-drop connection
<b>Protocol:</b>	PLC standard communication
<b>Synchronous method:</b>	Start-stop synchronous type
<b>Communication speed:</b>	9600 bps, 19200 bps (Factory set value: 19200 bps) (Selectable) It is necessary that connect the operation panel when the setting is changed.
<b>Data bit configuration:</b>	Start bit: 1 Data bit: 8 Parity bit: Without or Even* Stop bit: 1 * For OMRON PLC SYSMAC CS1 series
<b>Communication code:</b>	ASCII 7-bit code
<b>Number of connection:</b>	One PLC per <b>COM-E</b>

### ■ The RKC temperature controller communication

<b>Communication interface:</b>	Based on EIA standard RS-485 or EIA standard RS-422A * * RS-422A is only for <b>REX-F400/700/900</b>
<b>Communication method:</b>	Two-wire system, multi-drop connection (RS-485) Four-wire system, multi-drop connection (RS-422A)
<b>Protocol:</b>	Based on ANSI X 3.28-1976 subcategories 2.5 and B1
<b>Synchronous method:</b>	Start/stop synchronous type
<b>Communication speed:</b>	9600 bps, 19200 bps (factory set value: 19200 bps) (Selectable) It is necessary that connect the operation panel when the setting is changed.
<b>Data bit configuration:</b>	Start bit: 1 Data bit: 8 Parity bit: Without Stop bit: 1
<b>Communication code:</b>	ASCII 7-bit code
<b>Number of connection:</b>	20 controllers max. per <b>COM-E</b>

## ■ Host communication

<b>Communication interface:</b>	Based on RS-232C, EIA standard
<b>Communication method:</b>	RS-232C point-to-point connection
<b>Protocol:</b>	Based on ANSI X3.28-1976 subcategories 2.5 and B1 Polling/selecting type
<b>Error control:</b>	Horizontal parity
<b>Synchronous method:</b>	Start-stop synchronous type
<b>Communication speed:</b>	9600 bps, 19200 bps (factory set value: 19200 bps) (Selectable) It is necessary that connect the operation panel when the setting is changed.
<b>Data bit configuration:</b>	Start bit: 1 Data bit: 8 Parity bit: Without Stop bit: 1
<b>Block length:</b>	128 bytes or less
<b>Communication code:</b>	ASCII 7-bit code
<b>Control codes:</b>	ENQ (05H), EOT (04H), STX (02H), ETB (17H), ETX (03H), ACK (06H), NAK (15H) Codes in brackets ( ) are in hexadecimal.
<b>Time out time:</b>	3 seconds
<b>Number of connection:</b>	One host computer per COM-E
<b>Signal voltage and Logic:</b>	RS-232C

Signal voltage	Logic
+ 3V or more	0 (Space status)
- 3V or less	1 (Mark status)

### ■ Operation panel communication

<b>Communication interface:</b>	Based on RS-422A, EIA standard
<b>Communication method:</b>	Four-wire system, multi-drop connection
<b>Protocol:</b>	Based on MITSUBISHI AnA communication protocol
<b>Synchronous method:</b>	Start-stop synchronous type
<b>Communication speed:</b>	9600 bps, 19200 bps, 38400 bps (factory set value: 19200 bps) (Selectable) It is necessary that connect the operation panel when the setting is changed.
<b>Data bit configuration:</b>	Start bit: 1 Data bit: 8 Parity bit: Without Stop bit: 1
<b>Communication code:</b>	ASCII 7-bit code
<b>Number of connection:</b>	One operation panel per <b>COM-E</b>

### ■ Power supply

<b>Power supply voltage:</b>	21.6 to 26.4 V DC (Rating: 24V DC) Ripple noise: 10 % or less (peak to peak)
<b>Current consumption:</b>	85 mA max. (24 V DC)

### ■ Diagnostic functions

<b>Check item:</b>	ROM/RAM check Watchdog timer If error occurs in self-diagnosis, the message is displayed on the operation panel display.
--------------------	--

### ■ Data storage functions

<b>Memory backup:</b>	Lithium battery for RAM backup, approximate 10 years life for data retention. * However, the above life differs depending on the product storage period, and storage and operating environments.
-----------------------	---

## ■ Calendar functions

<b>Precision:</b>	Within $\pm 2.3$ seconds per day
<b>Setting method:</b>	Time set with the operation panel screen
<b>Display:</b>	Western (Gregorian) calendar year, month, day, day of the week, hour, minute display



The operation panel is necessary for the use of calendar functions.

## ■ General specifications

<b>Insulation resistance:</b>	Between power and ground terminals: 20 M $\Omega$ or more at 500 V DC Between output and ground terminals: 20 M $\Omega$ or more at 500 V DC
<b>Withstand voltage:</b>	Between power and ground terminals: 1 minute at 1500 V AC Between output and ground terminals: 1 minute at 1000 V AC
<b>Withstand noise:</b>	1500 V (peak to peak) Pulse width: 1 $\mu$ s Rise time: 1 ns By noise simulator
<b>Allowable ambient temperature:</b>	0 to 50 $^{\circ}$ C
<b>Allowable ambient humidity:</b>	45 to 85 % RH (Absolute humidity: MAX.W.C 29 g/m <sup>3</sup> dry air at 101.3 kPa)
<b>Installation environment conditions:</b>	Indoor use, Altitude up to 2000 m
<b>Ambient operating atmosphere:</b>	There should be neither corrosive gases nor much dust.
<b>Storage temperature range:</b>	-10 to +60 $^{\circ}$ C
<b>Storage humidity range:</b>	95 % RH or less (Non condensing)
<b>Dimensions:</b>	48 (W) $\times$ 96 (H) $\times$ 100 (D) mm
<b>Weight:</b>	Approx. 300 g

## ■ Standard

<b>Safety standard:</b>	UL: UL61010-1 cUL: CAN/CSA-C22.2 No. 61010-1
<b>CE marking:</b>	LVD: EN61010-1 EMC: EN61326-1



This product has been tested to the requirements of CAN/CSA-C22.2 No. 61010-1, second edition, including Amendment 1, or a later version of the same standard incorporating the same level of testing requirements.

# 3. MOUNTING

---



## WARNING

To prevent electric shock or instrument failure, always turn off the power before mounting or removing the instrument.

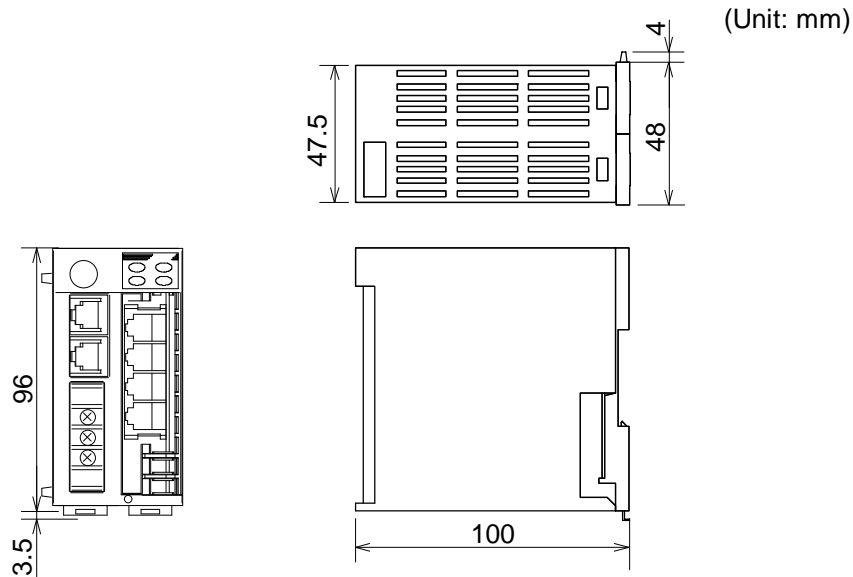
### 3.1 Mounting Environment

- (1) This instrument is intended to be used under the following environmental conditions. **(IEC61010-1)**  
[OVERVOLTAGE CATEGORY II, POLLUTION DEGREE 2]
- (2) Use this instrument within the following environment conditions:
  - Allowable ambient temperature: 0 to 50 °C
  - Allowable ambient humidity: 45 to 85 % RH  
(Absolute humidity: MAX.W.C 29 g/m<sup>3</sup> dry air at 101.3 kPa)
  - Installation environment conditions: Indoor use, Altitude up to 2000 m
- (3) Avoid the following conditions when selecting the mounting location:
  - Rapid changes in ambient temperature which may cause condensation.
  - Corrosive or inflammable gases.
  - Direct vibration or shock to the mainframe.
  - Water, oil, chemicals, vapor or steam splashes.
  - Excessive dust, salt or iron particles.
  - Excessive induction noise, static electricity, magnetic fields or noise.
  - Direct air flow from an air conditioner.
  - Exposure to direct sunlight.
  - Excessive heat accumulation.
- (4) Mount this instrument in the panel considering the following conditions:
  - Provide adequate ventilation space so that heat does not build up
  - Do not mount this instrument directly above equipment that generates large amount of heat (heaters, transformers, semi-conductor functional devices, large-wattage resistors).
  - If the ambient temperature rises above 50 °C, cool this instrument with a forced air fan, cooler, or the like. However, do not allow cooled air to blow this instrument directly.
  - In order to improve safety and the immunity to withstand noise, mount this instrument as far away as possible from high voltage equipment, power lines, and rotating machinery.
    - High voltage equipment: Do not mount within the same panel.
    - Power lines: Separate at least 200 mm.
    - Rotating machinery: Separate as far as possible.
- (5) In case this instrument is connected to a supply by means of a permanent connection, a switch or circuit-breaker shall be included in the installation. This shall be in close proximity to the equipment and within easy reach of the operator. It shall be marked as the disconnecting device for the equipment.



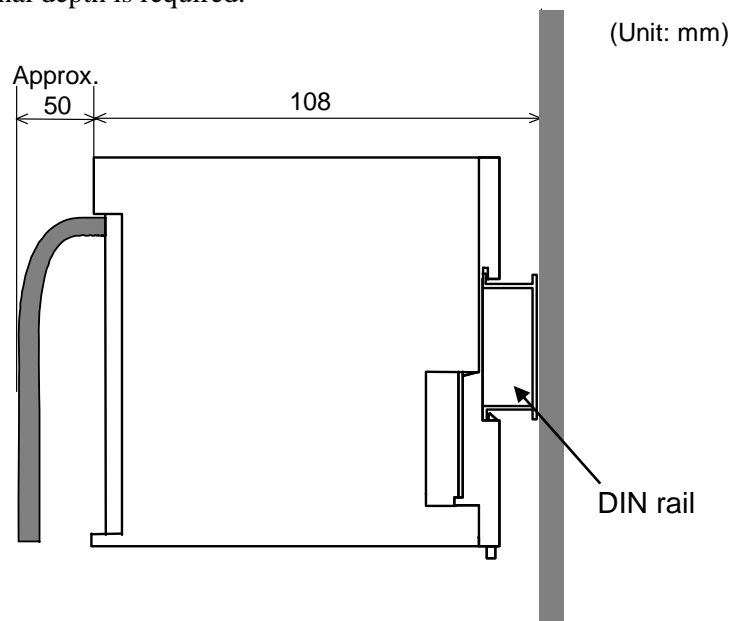
## 3.2 Dimensions

### ■ External dimensions



### ■ Module mounting depth (Mounting on the DIN rail)

The mounting depth of each module is 108 mm from the mounting surface inside the panel to the front of the module with the module mounted on the DIN rail. However, when modular connector cables are plugged in, additional depth is required.



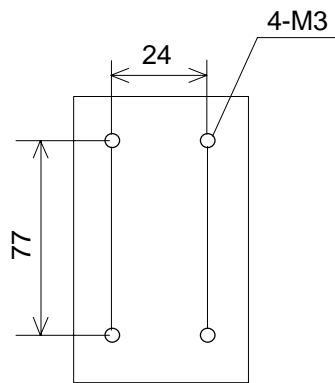
### 3.3 Mounting the Mother Block

The mother block can be mounted to a panel or DIN rail.

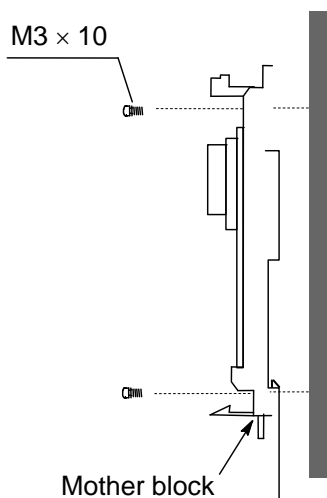
#### ■ Panel mounting

1. Refer to both the panel mounting dimensions below and the external dimensions in previous section when selecting the location.

(Unit: mm)



2. Remove the module from the mother block. For details of removing the module, refer to **3.5 Removing the module (P. 14)**.
3. Connect the mother blocks together before tightening the screws on the panel.  
(Customer must provide the set screws)



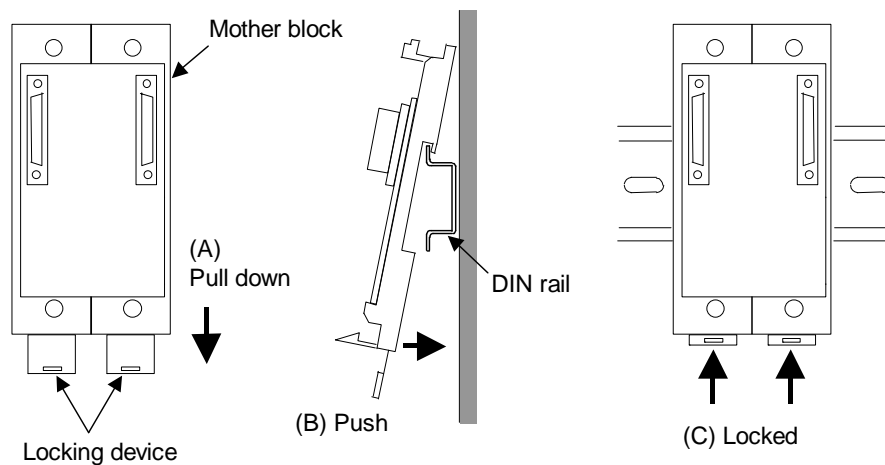
**Recommended tightening torque:  
0.3 N·m (3 kgf·cm)**



**When the mother block is mounted on the panel, 50 mm or more space is required at the top and bottom of the mother block to attach the module mainframe.**

### ■ DIN rail mounting

1. Remove the module mainframe from the mother block. For details of removing the module mainframe, refer to **3.5 Removing the Module Mainframe (P. 14)**.
2. Pull down both locking devices at the bottom of the mother block. (A)
3. Attach the top bracket of the mother block to the DIN rail and push the lower section into place on the DIN rail. (B)
4. Slide the locking devices up to secure the mother block to the DIN rail. (C)

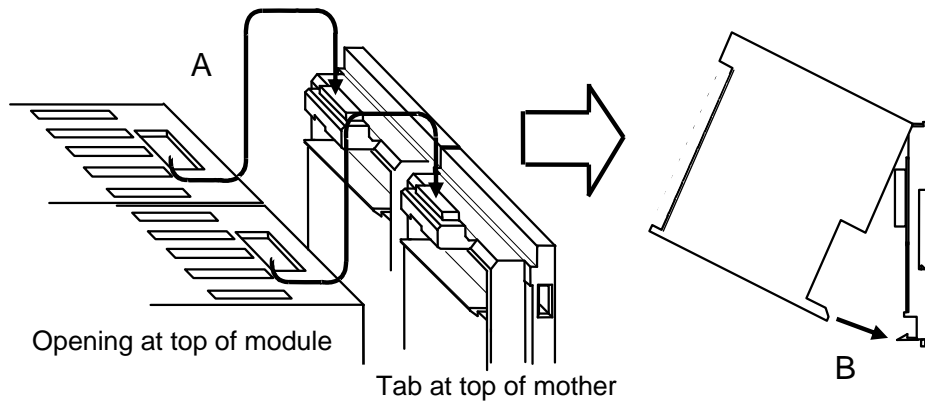


**When the mother block is mounted on panel, 50 mm or more space is required at the top and bottom of the mother block to attach the module mainframe.**

### 3.4 Mounting the Module Mainframe

It engages the module with the mother block that is mounted on DIN rail or a panel.

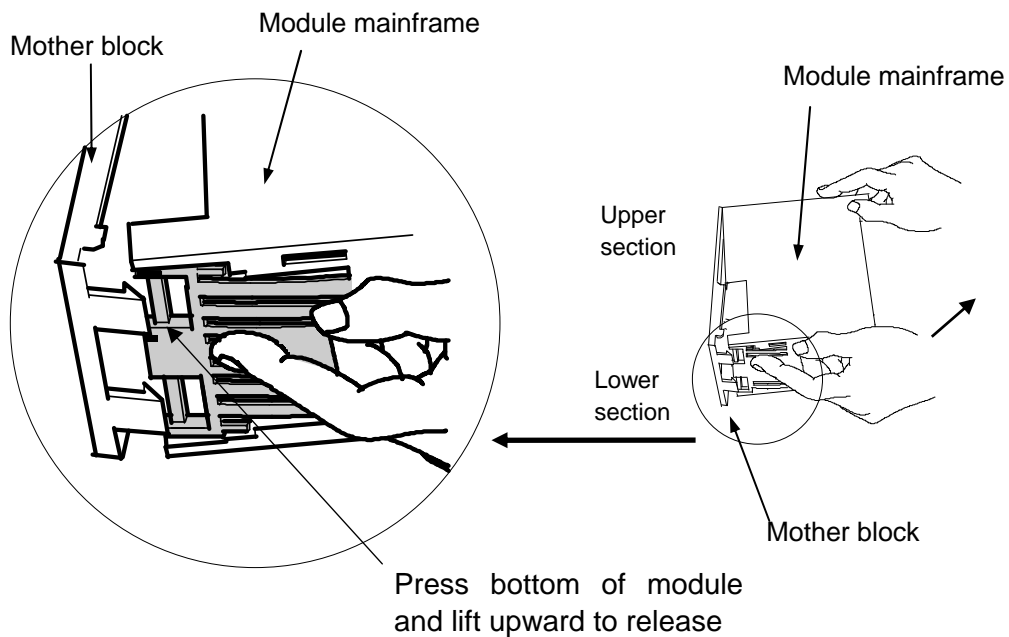
1. Place the module mainframe opening on top of the mother block tab. (A)
2. Snap the lower part of module mainframe on to the mother block. (B)



A snapping sound will be heard when module mainframe is securely connected to mother block.

### 3.5 Removing the Module Mainframe

To separate the module mainframe from the mother block, press the bottom on the module, lifting upward, to release connection.



# 4. WIRING

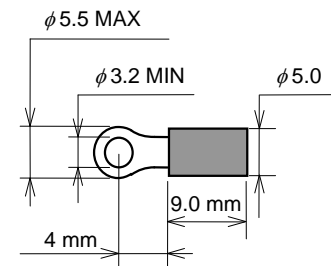
## 4.1 Wiring Cautions



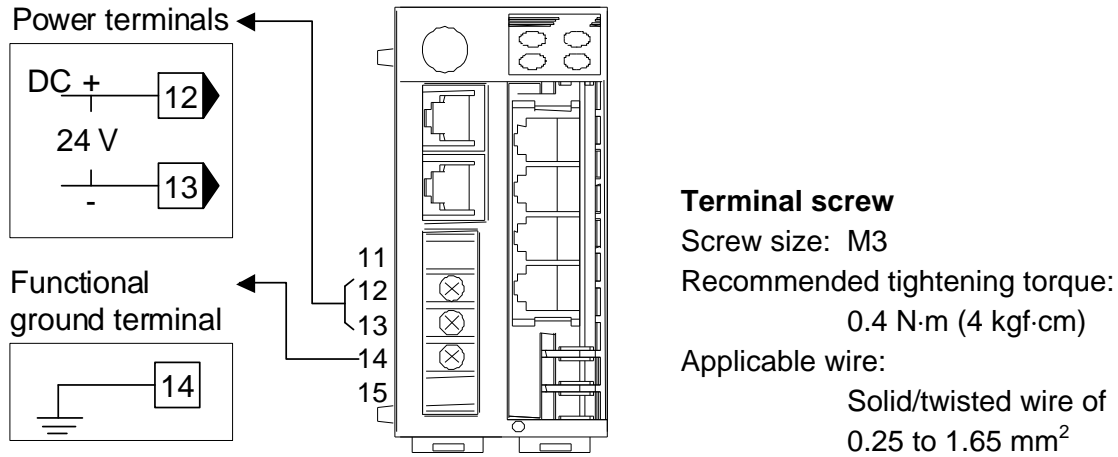
### WARNING

To prevent electric shock or instrument failure, do not turn on the power until all wiring is completed. Make sure that the wiring is correct before applying power to the instrument.

- To avoid noise induction, keep communication signal wire away from instrument power line, load lines and power lines of other electric equipment.
- If there is electrical noise in the vicinity of the instrument that could affect operation, use a noise filter.
  - Shorten the distance between the twisted power supply wire pitches to achieve the most effective noise reduction.
  - Always install the noise filter on a grounded panel. Minimize the wiring distance between the noise filter output and the instrument power supply terminals to achieve the most effective noise reduction.
  - Do not connect fuses or switches to the noise filter output wiring as this will reduce the effectiveness of the noise filter.
- Use a shielded wire when wiring input or output in a noisy environment to resist noise influence.
- Power supply wiring must be twisted and have a low voltage drop.
- For an instrument with 24 V power supply input, supply power from “SELV” circuit defined as IEC 60950-1.
- A suitable power supply should be considered in end-use equipment. The power supply must be in compliance with a limited-energy circuits (maximum available current of 8 A).
- COM-E is provided with a functional grounding terminal. A functional grounding terminal means one that is not required for safety purposes but is used for some functional purpose (such as grounding noise filters).
- Use the solderless terminal appropriate to the screw size.
  - Screw size: M3 x 7
  - Recommended tightening torque: 0.4 N·m (4 kgf·cm)
  - Applicable wire: Solid/twisted wire of 0.25 to 1.65 mm<sup>2</sup>
  - Specified solderless terminals:
    - Manufactured by J.S.T MFG CO., LTD.
    - Circular terminal with isolation V1.25-3
    - (M3 screw, width 5.5 mm, hole diameter 3.2 mm)
- Make sure that during field wiring parts of conductors cannot come into contact with adjacent conductive parts.



## 4.2 Terminal Configuration



- **Power supply**

Use a power supply is within the power supply voltage variation range.  
 21.6 to 26.4 V DC (Rating: 24V DC), Ripple noise: less than 10 % (peak to peak)

- **Functional ground**

A functional grounding terminal means one that is not required for safety purposes but is used for some functional purpose (such as grounding noise filters).

## 4.3 Connection



### WARNING

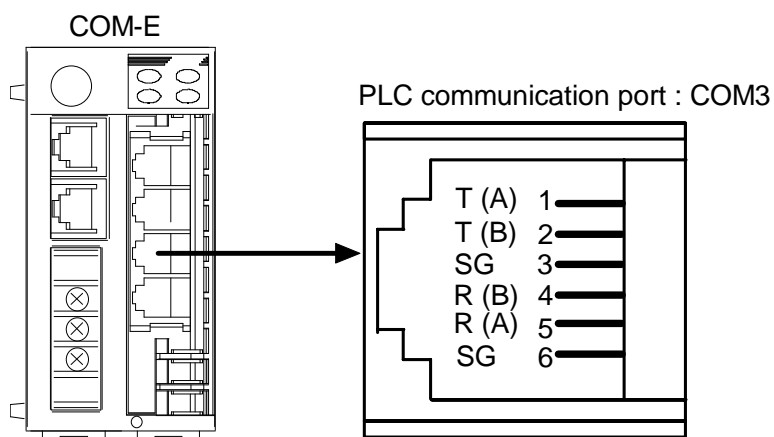
To prevent electric shock or instrument failure, turn off the power before connecting or disconnecting the instrument and peripheral equipment.

### 4.3.1 Connection to PLC

Customer is requested to prepare a communication cable fit for the **COM-E** to be connected by PLC.

#### ■ YOKOGAWA FA-M3 series

##### ● Pin layout of COM3



The 6-pin type modular connector should be used for the connection to the **COM-E**.  
(Recommended manufacturer and model: Hirose Electric, TM4P-66P)

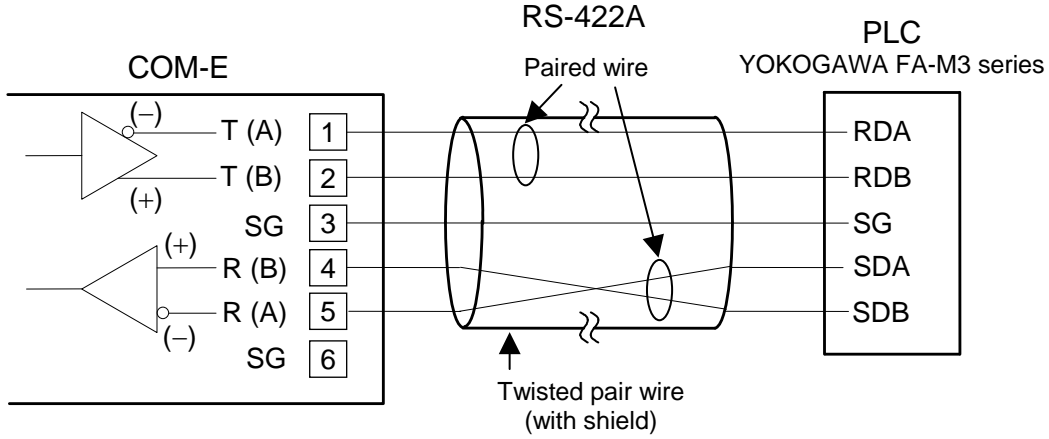


The details of the connectable connector for the PLC refer to the instruction manual for the used PLC.

##### ● Pin number and signal name (RS-422A)

Pin No.	Signal Name	Symbol
1	Send Data	T (A)
2	Send Data	T (B)
3	Signal Ground	SG
4	Receive Data	R (B)
5	Receive Data	R (A)
6	Signal Ground	SG

● Diagram of RS-422A communication cable wiring



Modular connector cable W-BF-01 \* can use to connect PLC.

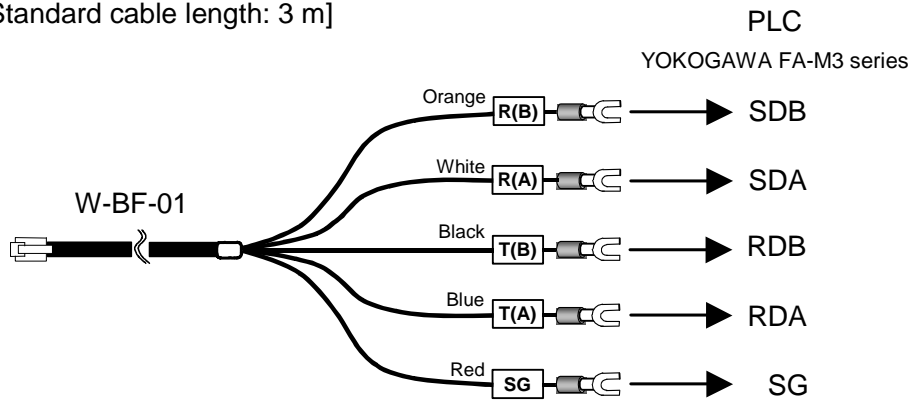
If noise is a factor, customer should use a twisted pair cable (not included) or something to that effect.

\* Shields of the cable are connected to SG (No. 6 pin) of the COM-E connector.

A wiring example when using our W-BF-01 connection cable is shown in the following.

Cable type: W-BF-01-3000 (RKC product, Sold separately)

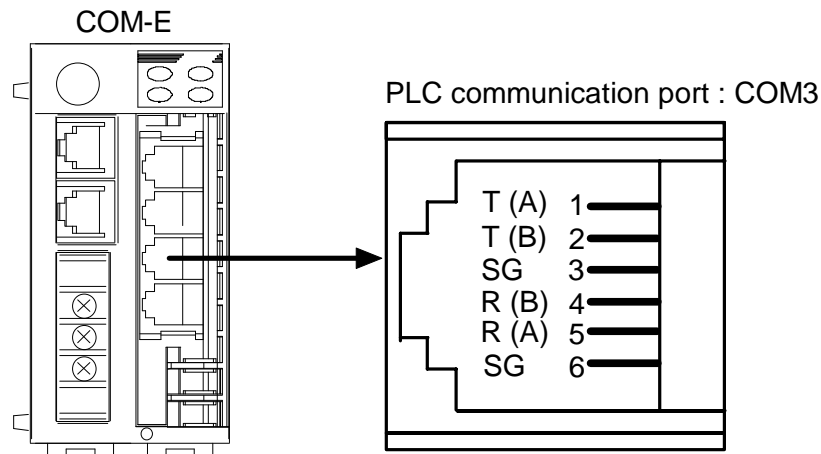
[Standard cable length: 3 m]





## ■ MITSUBISHI MELSEC A series (A, AnA, AnU types)/Q series/QnA series

### ● Pin layout of COM3



The 6-pin type modular connector should be used for the connection to the **COM-E**.  
(Recommended manufacturer and model: Hirose Electric, TM4P-66P)

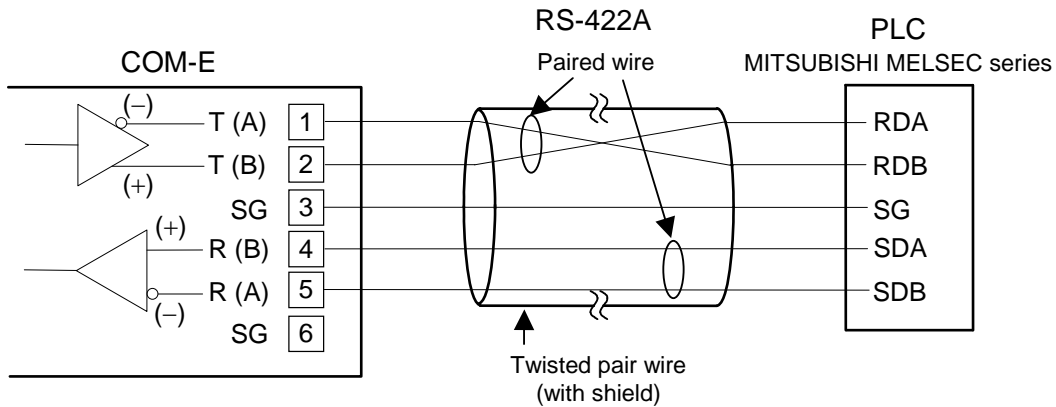


The details of the connectable connector for the PLC refer to the instruction manual for the used PLC.

### ● Pin number and signal name (RS-422A)

Pin No.	Signal Name	Symbol
1	Send Data	T (A)
2	Send Data	T (B)
3	Signal Ground	SG
4	Receive Data	R (B)
5	Receive Data	R (A)
6	Signal Ground	SG

● Diagram of RS-422A communication cable wiring



For connection with the COM-E, use the Computer link unit.



Cannot connect to the PLCs CPU-port.



As communication protocol, the type 4 protocol control procedure only for MITSUBISHI is used.



The signal polarity A and B may be reversed between the computer link unit of the MITSUBISHI MELSEC series and the COM-JE. Normally signal A of a certain device is connected to signal A of the other device, and so for B to B. However, in this case, signal polarity A should be connected to B and the polarity B to A.

Example: Connect the COM-E T (A) send data terminal to the RDB receive data terminal on the Computer link unit belonging to the MITSUBISHI MELSEC A series of PLCs.



Modular connector cable W-BF-01 \* can use to connect PLC.

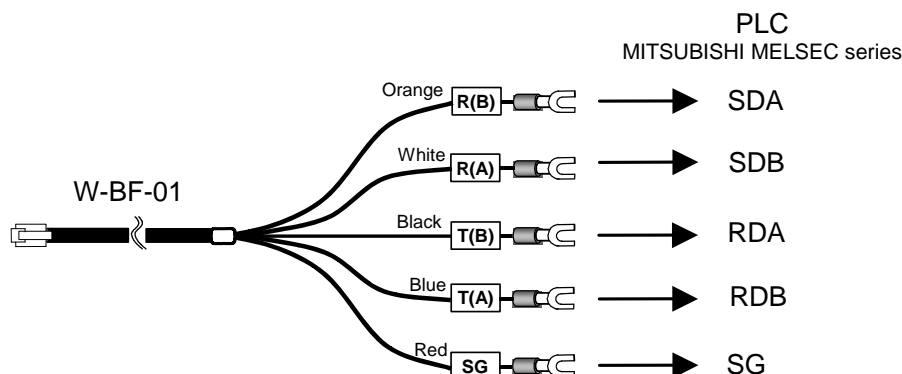
If noise is a factor, customer should use a twisted pair cable (not included) or something to that effect.

\* Shields of the cable are connected to SG (No. 6 pin) of the COM-E connector.

A wiring example when using our W-BF-01 connection cable is shown in the following.

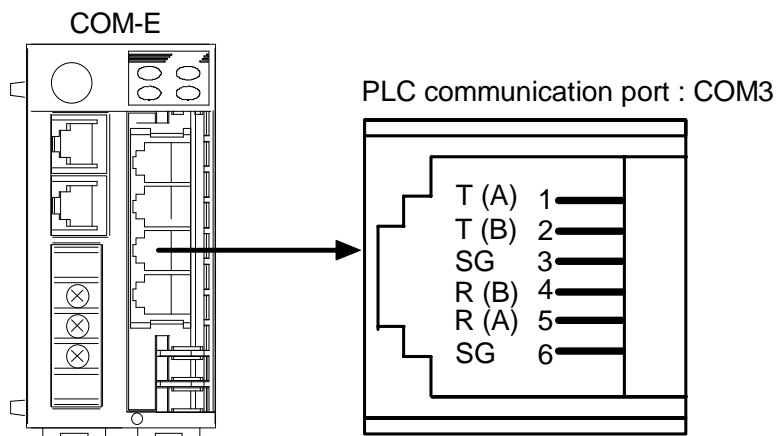
Cable type: W-BF-01-3000 (RKC product, Sold separately)

[Standard cable length: 3 m]



## ■ OMRON SYSMAC CS1 series

### ● Pin layout of COM3



The 6-pin type modular connector should be used for the connection to the **COM-E**.  
(Recommended manufacturer and model: Hirose Electric, TM4P-66P)

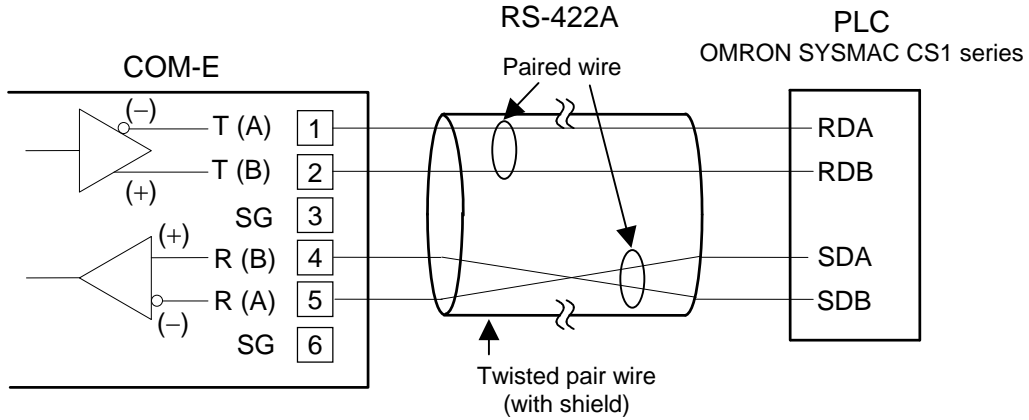


The details of the connectable connector for the PLC refer to the instruction manual for the used PLC.

### ● Pin number and signal name (RS-422A)

Pin No.	Signal Name	Symbol
1	Send Data	T (A)
2	Send Data	T (B)
3	Signal Ground	SG
4	Receive Data	R (B)
5	Receive Data	R (A)
6	Signal Ground	SG

● Diagram of RS-422A communication cable wiring



Modular connector cable W-BF-01 \* can use to connect PLC.

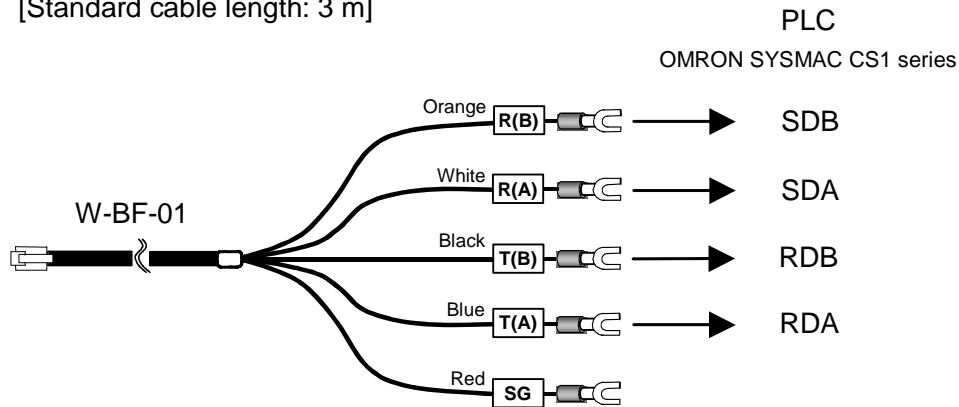
If noise is a factor, customer should use a twisted pair cable (not included) or something to that effect.

\* Shields of the cable are connected to SG (No. 6 pin) of the COM-E connector.

A wiring example when using our W-BF-01 connection cable is shown in the following.

Cable type: W-BF-01-3000 (RKC product, Sold separately)

[Standard cable length: 3 m]

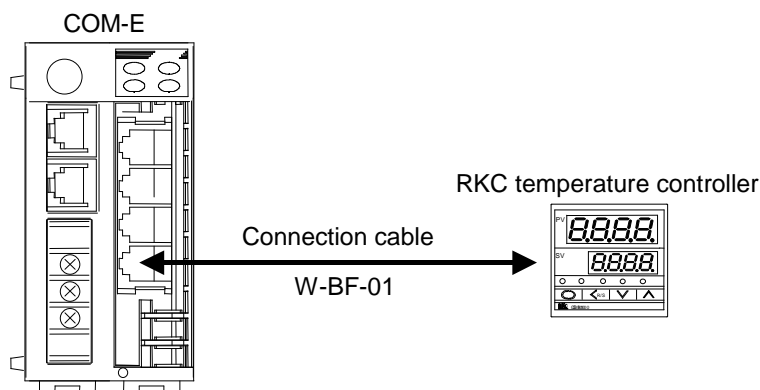


### 4.3.2 Connection to the RKC temperature controller

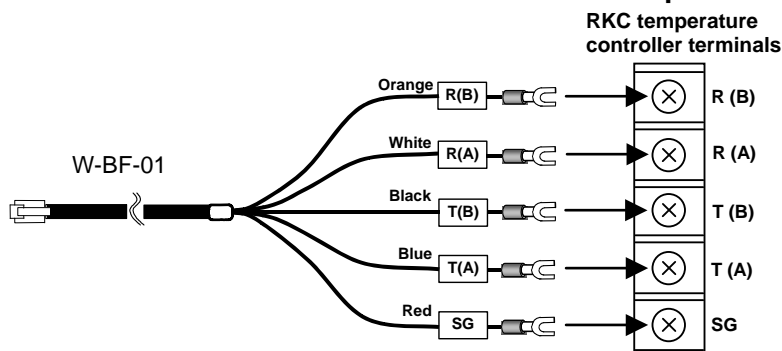
For the connection cable, use the RKC product (Sold separately).

Cable type: W-BF-01-3000 [Standard cable length: 3 m] (RKC product, Sold separately)

#### ■ When using one RKC temperature controller



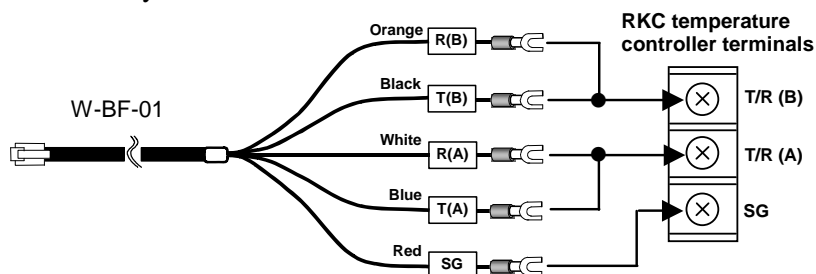
#### ● When the communication interface of RKC temperature controller is RS-422A



Connect according to the label names as they are without crossing the wires.

#### ● When the communication interface of RKC temperature controller is RS-485

In RS-485, connect the signal line T (A) and R (A). And, connect the signal line T (B) and R (B) in the same way.



When using the RKC temperature controller, always set addresses of them to 0.

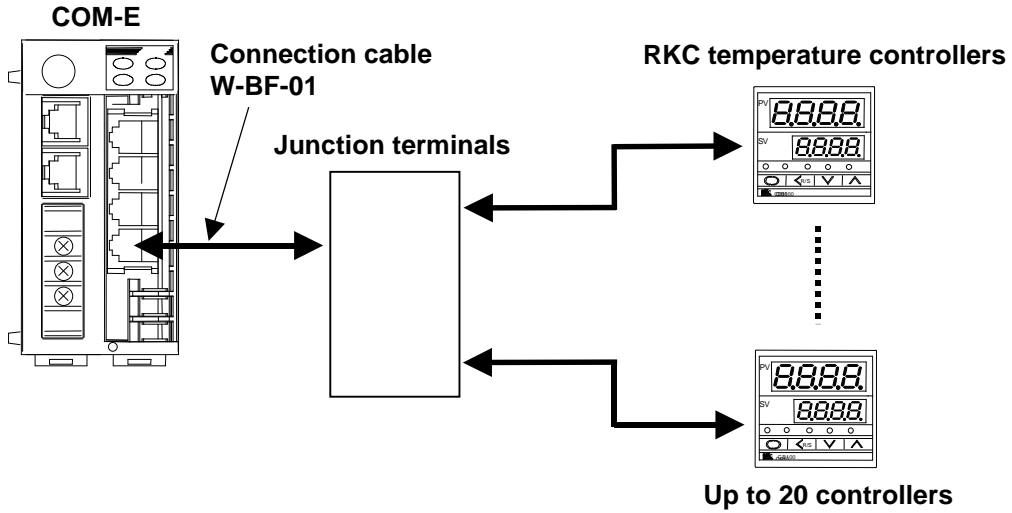


When using the RKC temperature controller, set communication interval time period for them to 25 ms or more.

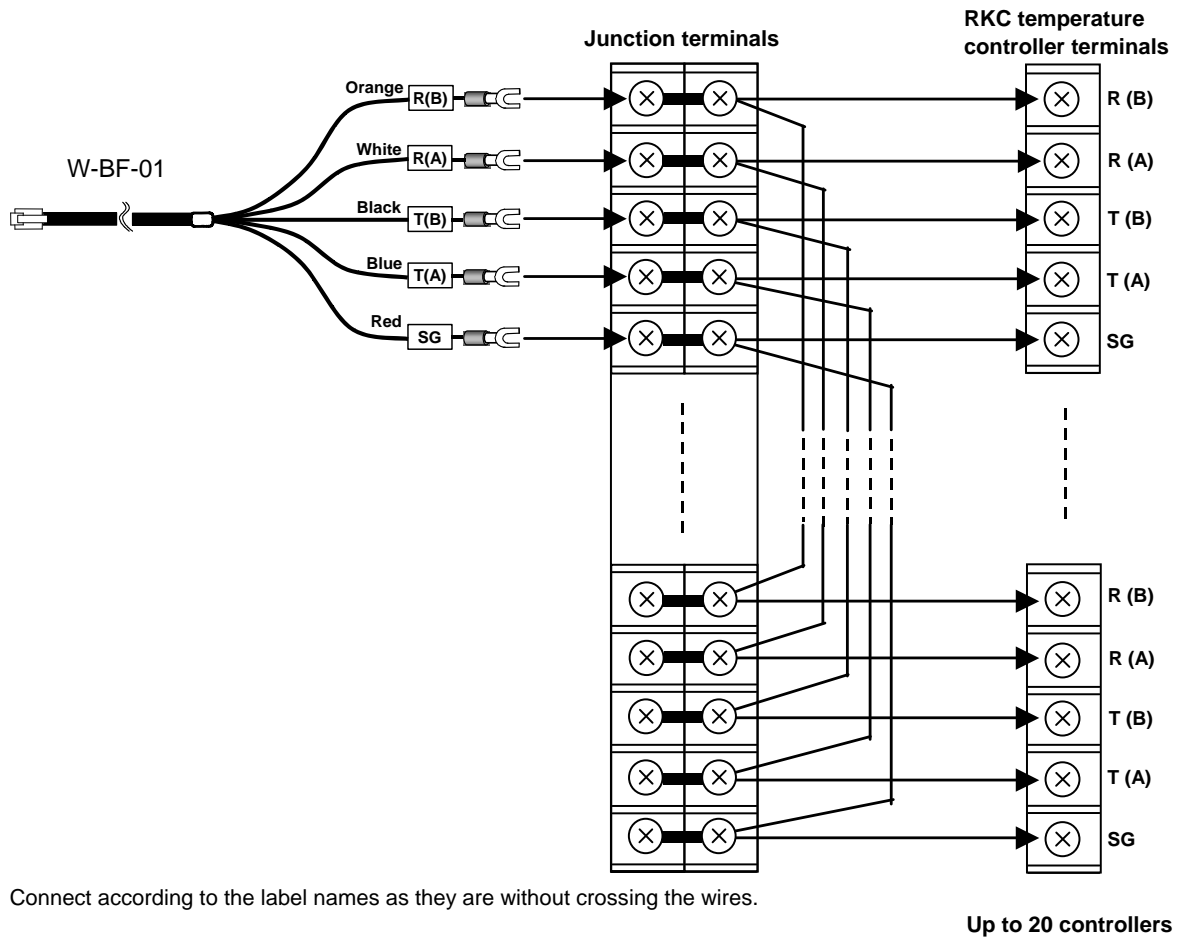


For details on setting communication with the RKC temperature controller, refer to the **Communications instruction manual** for the RKC temperature controller.

■ When using two or more RKC temperature controllers



● When the communication interface of RKC temperature controller is RS-422A



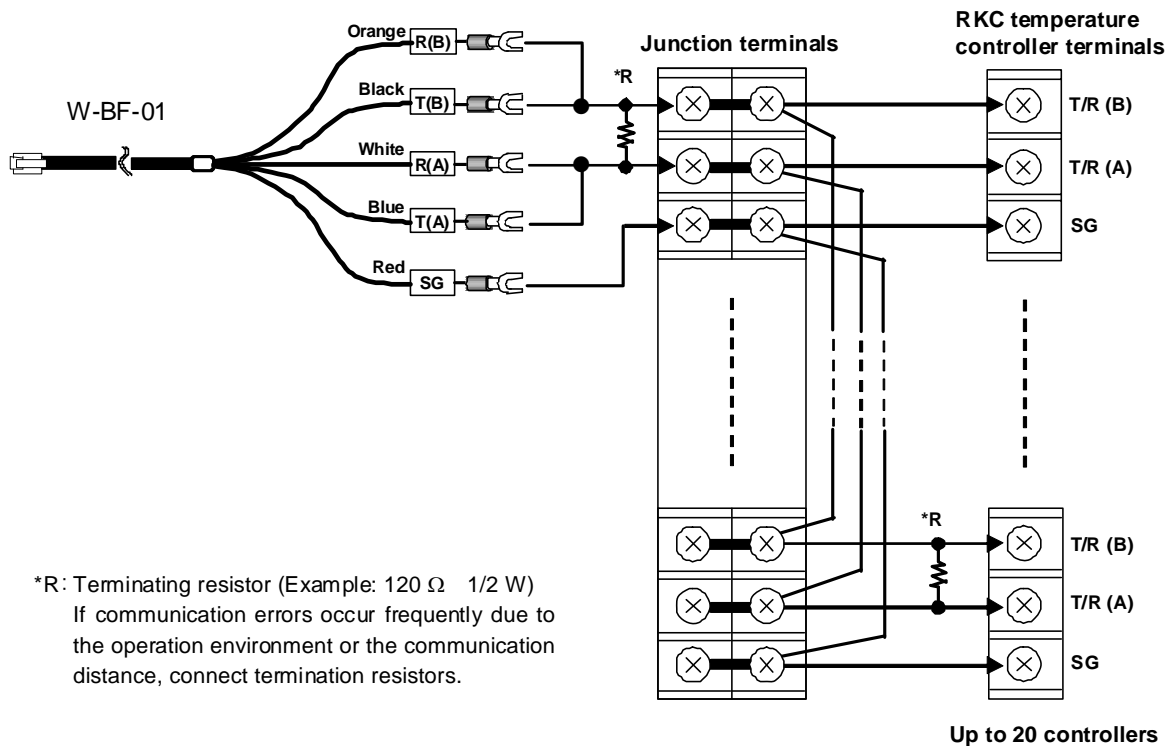
Connect according to the label names as they are without crossing the wires.





Continued on the next page.

Continued from the previous page.

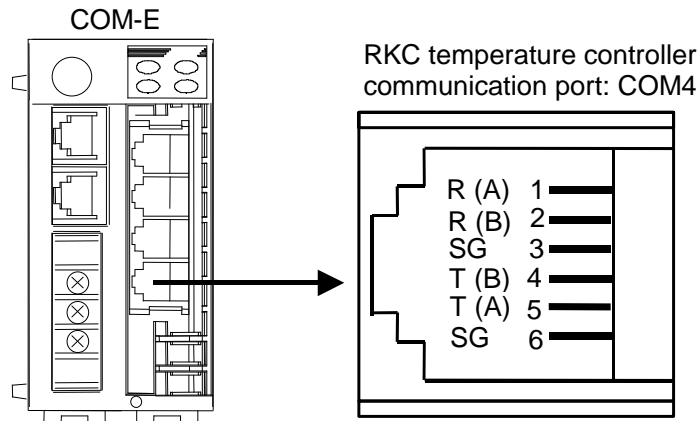
● **When the communication interface of RKC temperature controller is RS-485**

In RS-485, connect the signal line T (A) and R (A). And, connect the signal line T (B) and R (B) in the same way.



-  **When using the RKC temperature controller, always use their addresses from address number 0 in succession.**
-  **When using the RKC temperature controller, set communication interval time period for them to 25 ms or more.**
-  Prepare cables for connecting the junction branch box to the temperature controllers on your side. (No cables included in the instrument)
-  For details on setting communication with the RKC temperature controller, refer to the **Communications instruction manual** for the RKC temperature controller.

### ■ Pin layout of COM4



The 6-pin type modular connector should be used for the connection to the **COM-E**.  
(Recommended manufacturer and model: Hirose Electric, TM4P-66P)

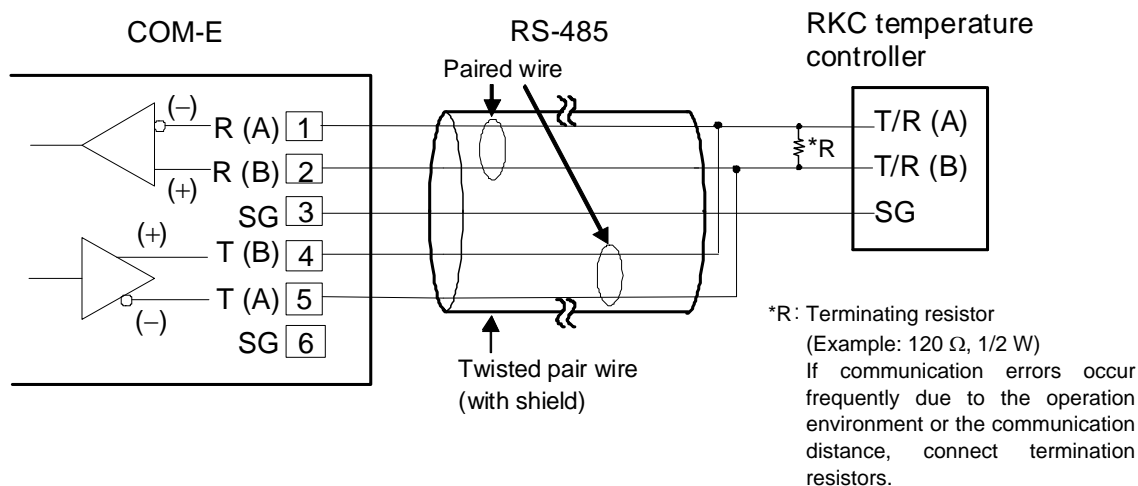
### ■ Pin number and signal name (RS-422A)

Pin No.	Signal Name	Symbol
1	Receive Data	R (A)
2	Receive Data	R (B)
3	Signal Ground	SG
4	Send Data	T (B)
5	Send Data	T (A)
6	Signal Ground	SG



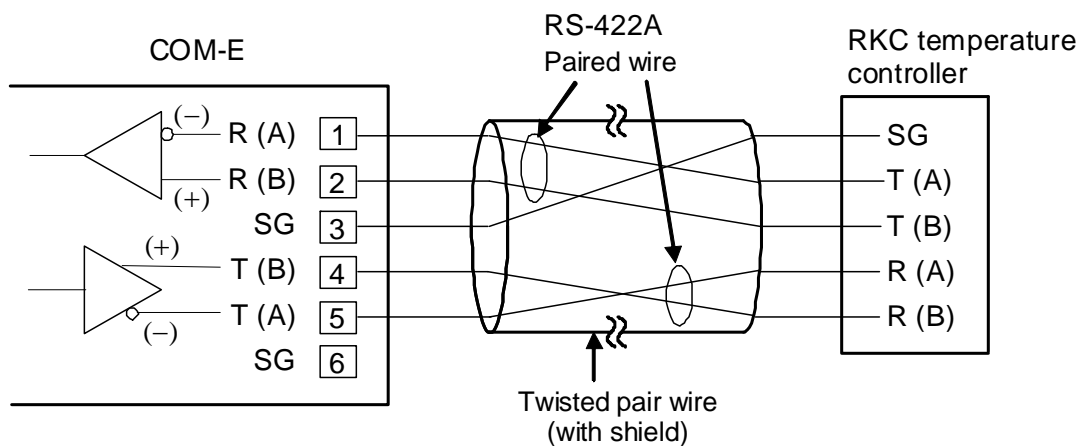
■ Diagram of communication cable wiring

● RS-485



📖 In RS-485, connect the signal line T (A) and R (A). And, connect the signal line T (B) and R (B) in the same way.

● RS-422A



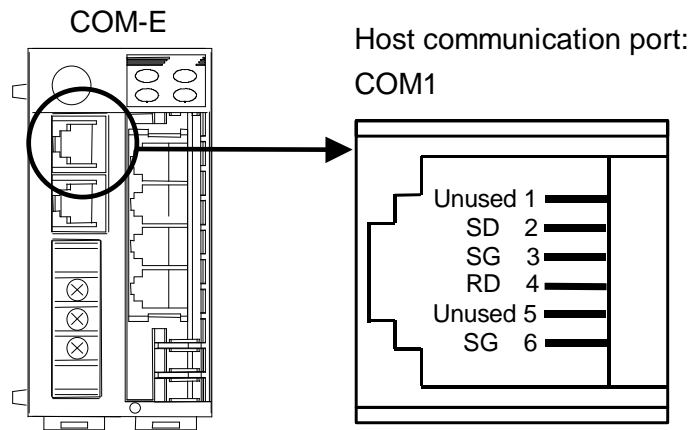
📖 Modular connector cable W-BF-01 \* can use to connect RKC temperature controller. If noise is a factor, customer should use a twisted pair cable (not included) or something to that effect.

\* Shields of the cable are connected to SG (No. 6 pin) of the COM-E connector.

### 4.3.3 Connection to the host computer

Customer is requested to prepare a communication cable fit for the **COM-E** to be connected by the host computer.

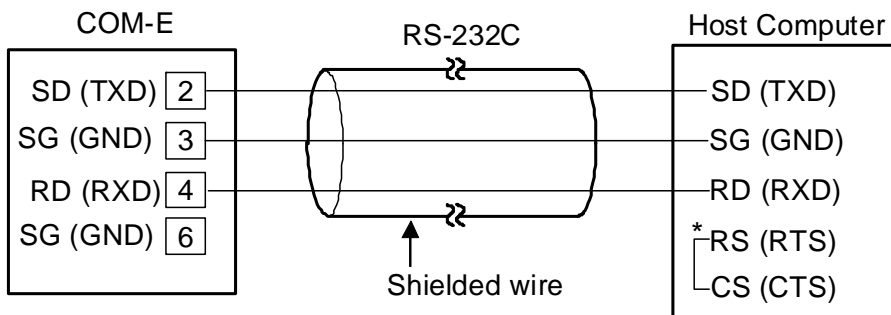
#### ■ Pin layout of COM1



#### ■ Pin number and signal name (RS-232C)

Pin No.	Signal Name	Symbol
1	—	Unused
2	Send Data	SD (TXD)
3	Signal Ground	SG
4	Receive Data	RD (RXD)
5	—	Unused
6	Signal Ground	SG

#### ■ Diagram of RS-232C communication cable wiring

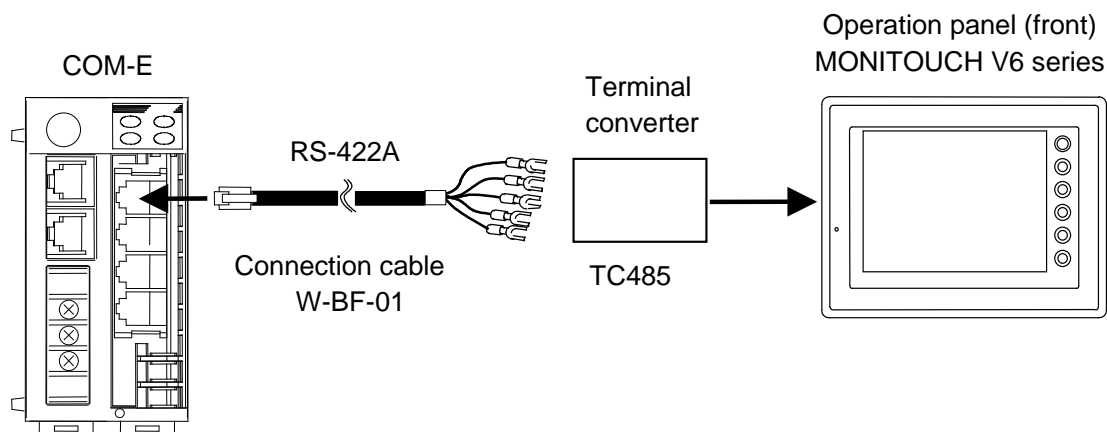


\* Short circuit between RS-CS pin in the connector.

### 4.3.4 Connection to operation panel

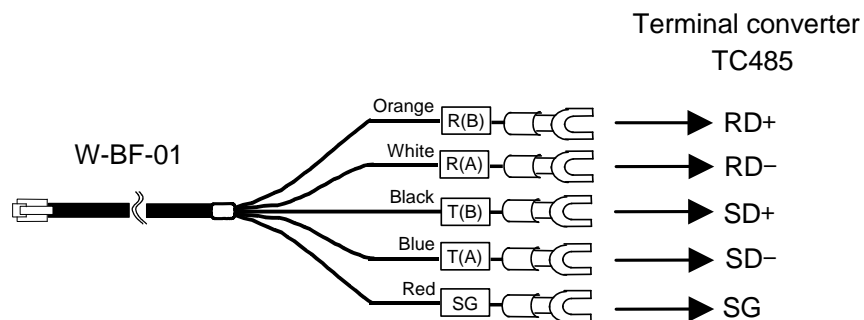
For the connection cable, use the RKC product (Sold separately).

Cable type: W-BF-01-3000 [Standard cable length: 3 m]



Cable type: W-BF-01-3000 (RKC product, Sold separately)

[Standard cable length: 3 m]

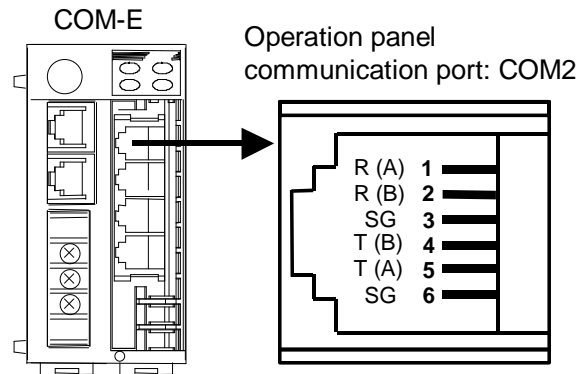



For connection of the operation panel with the connection cable, the TC485 terminal converter connector (sold separately: Hakko Electronics Co., Ltd) is required.




The details of the connectable connector for the operation panel, refer to the instruction manual for the V6 series of Hakko Electronics Co., Ltd.

■ Pin layout of COM2



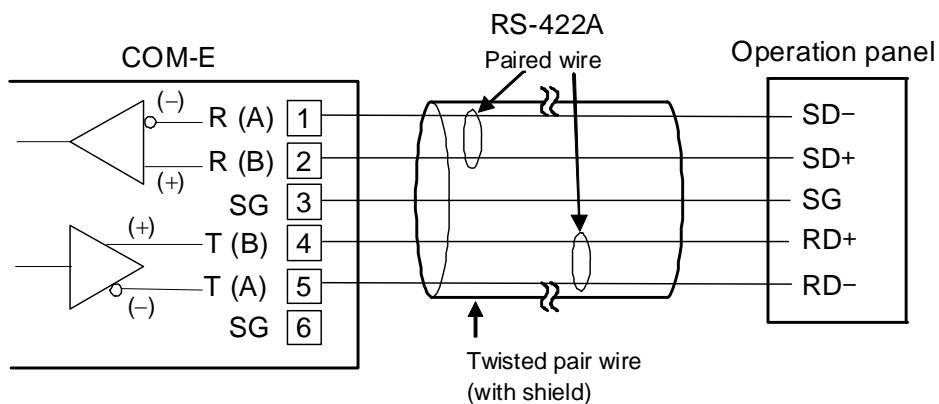
 The 6-pin type modular connector should be used for the connection to the **COM-E**. (Recommended manufacturer and model: Hirose Electric, TM4P-66P)


 The details of the connectable connector for the operation panel, refer to the instruction manual for the V6 series of Hakko Electronics Co., Ltd.

■ Pin number and signal name (RS-422A)

Pin No.	Signal Name	Symbol
1	Receive Data	R (A)
2	Receive Data	R (B)
3	Signal Ground	SG
4	Send Data	T (B)
5	Send Data	T (A)
6	Signal Ground	SG

■ Diagram of RS-422A communication cable wiring



 Modular connector cable W-BF-01 \* can use to connect the operation panel. If noise is a factor, customer should use a twisted pair cable (not included) or something to that effect.

\* Shields of the cable are connected to SG (No. 6 pin) of the COM-E connector.

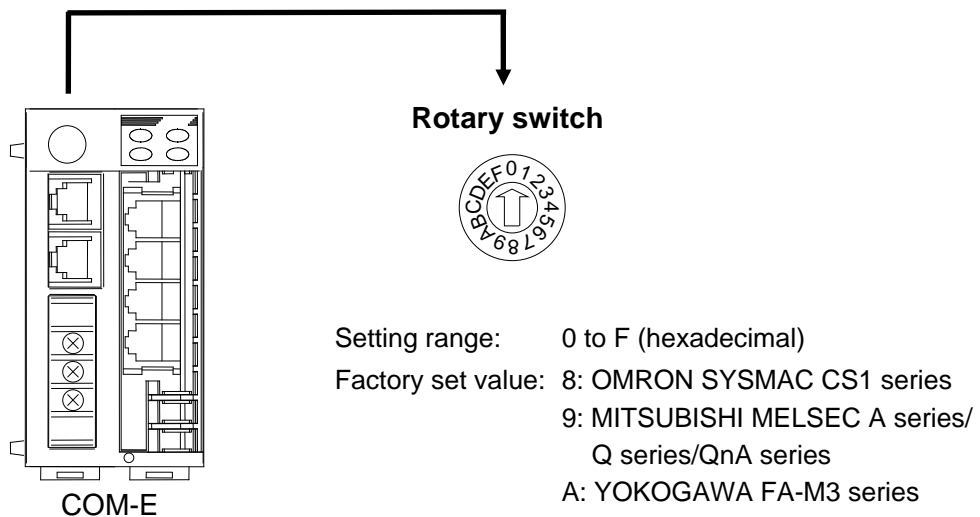
# 5. PLC COMMUNICATION

---

## 5.1 Rotary Switch Setting

The COM-E rotary switch can set the PLC register area.

For this setting, use a small blade screwdriver.



**It is prohibited to set the rotary switch to the “B” position.**



**Select the setting of rotary switch after confirming the PLC register area.**

## 5.2 PLC Setting

### 5.2.1 YOKOGAWA FA-M3 series



Please turn on number 1 only and turn off numbers 2 to 8 of the data format configuration switch, which there is in personal computer link module F3LC11-2N belonging to the YOKOGAWA FA-M3 series of PLCs. When the data format configuration switch turn on number 1 only and turn off numbers 2 to 8, these come to the following data format.

- Data bit: 8
- Parity bit: Without
- Stop bit: 1
- Checksum: Without
- Final character specification: Without
- Protection function: Without



For details on setting with the PLC, refer to the instruction manual for the used PLC.

#### ■ Rotary switch Number of COM-E and PLC register area

Rotary switch No.	PLC register area		Remarks
0	Area available in D register	D1000 to D1399	—
1	Area available in D register	D1500 to D1899	—
2	Area available in D register	D2000 to D2399	—
3	Area available in D register	D2500 to D2899	—
4	Area available in D register	D3000 to D3399	—
5	Area available in D register	D3500 to D3899	—
6	Area available in D register	D4000 to D4399	—
7	Area available in D register	D4500 to D4899	—
8	Area available in D register	D5000 to D5399	—
9	Area available in D register	D5500 to D5899	—
A	Area available in D register	D6000 to D6399	—
B	Interdict from setting (the default mode)		—
C	Area available in W register	W0000 to W0399	Not usable
D	Area available in W register	W0500 to D0899	—
E	Area available in D register	D0000 to D0399	Not usable
F	Area available in D register	D0500 to D0899	—

## 5.2.2 MITSUBISHI MELSEC A series (A, AnA, AnU types)/Q series/QnA series



Please set the Computer link unit belonging to the MITSUBISHI MELSEC series of PLCs as follows.

- Protocol: MITSUBISHI MELSEC series special protocol type 4
- Data bit: 8
- Parity bit: Without
- Stop bit: 1
- Sum check code: Provided
- Writing during RUN: ON
- Station number: 00
- PC number: FF



For details on setting with the PLC, refer to the instruction manual for the used PLC.

### ■ Rotary switch Number of COM-E and PLC register area

Rotary switch No.	PLC register area		Remarks
0	Area available in D register	D1000 to D1399	Corresponding to AnA/AnU type CPU, Q series and QnA series.  Corresponding to the instrument model which uses the QR/QW command as a communication command.
1	Area available in D register	D1500 to D1899	
2	Area available in D register	D2000 to D2399	
3	Area available in D register	D2500 to D2899	
4	Area available in D register	D3000 to D3399	
5	Area available in D register	D3500 to D3899	
6	Area available in D register	D4000 to D4399	
7	Area available in D register	D4500 to D4899	
8	Area available in D register	D5000 to D5399	
9	Area available in D register	D5500 to D5899	
A	Area available in D register	D6000 to D6399	
B	Interdict from setting (the default mode)		
C	Area available in W register	W0000 to W018F	Corresponding to A type CPU. *
D	Area available in W register	W0200 to D038F	Corresponding to the instrument model which uses the WR/WW command as a communication command.
E	Area available in D register	D0000 to D0399	
F	Area available in D register	D0500 to D0899	

\* A type CPU model code: A1S, A1SJ, A0J2H, A1, A1N, A2 (S1), A2N (S1), A2S, A2A (S1), A2U, A2US, A2C, A52G, A3, A3N, A3A, A3U, A4U, A3H, A3M, A73 or A7LMS-F

### 5.2.3 OMRON SYSMAC CS1 series



Please set the CPU unit belonging to the OMRON SYSMAC CS1 series of PLCs as follows.

- Serial communication mode: high-order link method
- Data bit: 8
- Parity bit: Provided (even)
- Stop bit: 1
- Unit number (Model number): 00



For details on setting with the PLC, refer to the instruction manual for the used PLC.

#### ■ Rotary switch Number of COM-E and PLC register area

Rotary switch No.	PLC register area		Remarks
0	Area available in D register	D1000 to D1399	—
1	Area available in D register	D1500 to D1899	—
2	Area available in D register	D2000 to D2399	—
3	Area available in D register	D2500 to D2899	—
4	Area available in D register	D3000 to D3399	—
5	Area available in D register	D3500 to D3899	—
6	Area available in D register	D4000 to D4399	—
7	Area available in D register	D4500 to D4899	—
8	Area available in D register	D5000 to D5399	—
9	Area available in D register	D5500 to D5899	—
A	Area available in D register	D6000 to D6399	—
B	Interdict from setting (the default mode)		—
C	Area available in D register	D7000 to D7399	—
D	Area available in D register	D7500 to D7899	—
E	Area available in D register	D0000 to D0399	—
F	Area available in D register	D0500 to D0899	—



## 5.3 The RKC Temperature Controller Setting

Please set the RKC temperature controller side as follows.

### ■ CB100/400/500/700/900


Setting items	Description
Communication speed	19200 bps
Data bit	8
Stop bit	1
Parity bit	Without
Communication interval time	15 or more (25 ms or more)
Device address	Always use their addresses from address number 0 in succession.

### ■ REX-F400/700/900

Setting items	Description
Communication speed	19200 bps
Data bit	8
Stop bit	1
Parity bit	Without
Communication interval time	25 ms or more
Device address	Always use their addresses from address number 0 in succession.

### ■ SA200

Setting items	Description
Communication speed	19200 bps
Data bit	8
Stop bit	1
Parity bit	Without
Communication interval time	25 ms or more
Device address	Always use their addresses from address number 0 in succession.

 For details on setting communication with the RKC temperature controller, refer to the **Communications instruction manual** for the RKC temperature controller.

## 5.4 Communication Data

### 5.4.1 Request command and data transfer

Data transfer between the PLC and RKC temperature controller are executed by the request command (Register area No. 20).

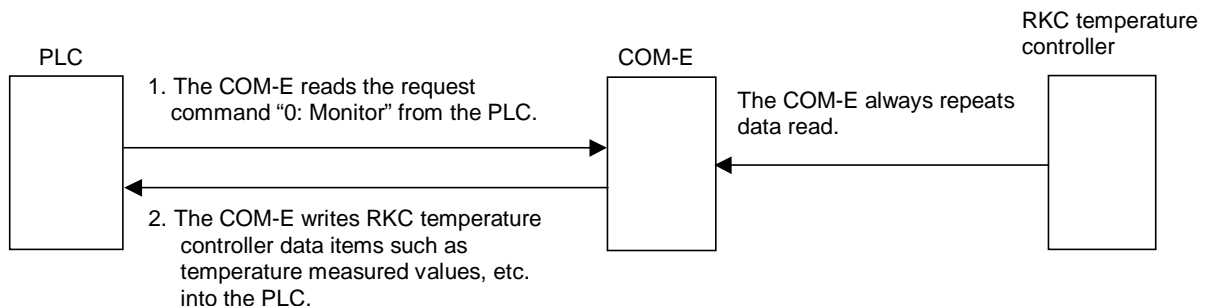
#### ■ Request command “0: Monitor”

Command which requests the RKC temperature controller to write data items such as temperature measured values, etc. (attribute: RO) to the PLC side. The COM-E always repeats data writing until “1: Setting” or “2: Set value monitor” is set to the request command. The COM-E communication status is set to “1: Writing on monitor data” during data transfer.

#### Data transfer procedures

[Example]

- Set “0: Monitor” to the request command on the PLC side.
- If the request command is set, the COM-E writes our temperature controller data items such as temperature measured values, etc. (attribute: RO) into the PLC.
- The COM-E communication status is set to “1: Writing on monitor data” during data transfer.



#### ■ Request command “1: Setting”

This is the command of making a request to our temperature controller for writing data items such as temperature set values, etc. (attribute: RW) set to the register on the PLC side (memory).

#### Data transfer procedures

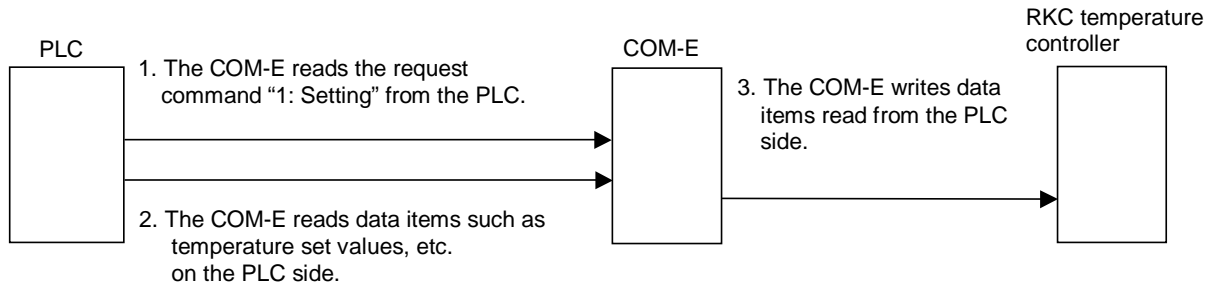
[Example]

- Data items such as temperature set values, etc. (attribute: RW) are set to the register on the PLC side (memory).
- Set “1: Setting” to the request command on the PLC side.
- If the request command is set, the COM-E starts reading data items such as temperature set values, etc. (attribute: RW) on the PLC side. The COM-E communication status is set to “2: Reading out setting data” during data read on the PLC side.
- If the COM-E finishes reading data items from the PLC, it starts writing the data items read to our temperature controller. The COM-E communication status is set to “2: Reading out setting data” even during data write into our temperature controller.

Continued on the next page.

Continued from the previous page.

- After the data is transferred, the request command and COM-E communication status returns to “0: Monitor” and “1: Writing on monitor data,” respectively.



**Before writing data to REX-F400/700/900 (RKC product), switch the operation mode to the Computer mode (COMP). Write data at the PLC can be performed by selecting the REX-F400/700/900 to the Computer mode (COMP). Data can be monitored in the Local mode (LOC).**

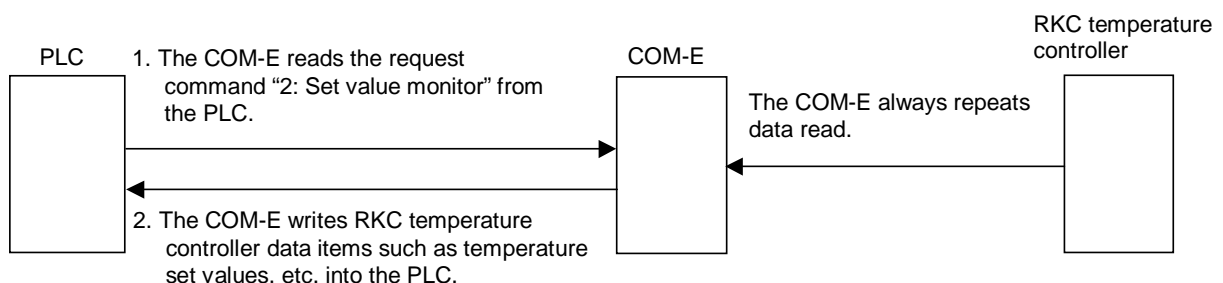
### ■ Request command “2: Set value monitor”

Command which requests the RKC temperature controller to write data items such as temperature set values, etc. (attribute: RW) to the PLC side.

#### Data transfer procedures

[Example]

- Set “2: Set value monitor” to the request command on the PLC side.
- If the request command is set, the COM-E writes our temperature controller data items such as temperature set values, etc. (attribute: RW) into the PLC.  
The COM-E communication status is set to “3: Writing on setting data” during data transfer.
- After the data is transferred, the request command and COM-E communication status returns to “0: Monitor” and “1: Writing on monitor data,” respectively.



## 5.4.2 Communication status check

The communication status between the PLC and COM-E is confirmed by the COM-E communication status (Register area No. 21).

The COM-E always writes data on the COM-E communication status into the PLC.

### COM-E communication status “0: Communication failure”:

“0: Communication failure” represents that communication between the COM-E and PLC is abnormal. If communication between the COM-E and PLC is normal, the COM-E communication status always becomes 1, 2, or 3.

### COM-E communication status “1: Writing on monitor data”:

“1: Writing on monitor data” represents that data items such as temperature measured values, etc. (attribute: RO) are being written into the PLC.

### COM-E communication status “2: Reading out setting data”:

“2: Reading out setting data” represents that data items such as temperature set values, etc. (attribute: RW) are being read from the PLC.

### COM-E communication status “3: Writing on setting data”:

“3: Writing on setting data” represents that data items such as temperature set values, etc. (attribute: RW) are being written into the PLC.

## ■ Communication status check procedures

[Example]

When the COM-E communication status is “1: Writing on monitor data”

1. “0: Communication failure” is set to the register on the PLC side (COM-E communication status).



**Conduct this setting only when checking the communication status.**

2. After setting, take appropriate wait time.



Wait time differs depending on the connectable number of our temperature controllers. It is about 1 second/controller.

3. After a lapse of wait time, confirm that the value in the register on the PLC side (COM-E communication status) is “1: Writing on monitor data.”

### 5.4.3 Caution for handling communication data

- (1) The alarm status in each channel is expressed for each bit.

[Bit 0]: Unused

[Bit 1]: Unused

[Bit 2]: Alarm 1 status (0: OFF 1: ON)

[Bit 3]: Alarm 2 status or HBA (Heater break alarm) status \* (0: OFF 1: ON)

[Bit 4]: Burnout status (0: OFF 1: ON)

[Bit 5]: Unused

[Bit 6]: Unused

[Bit 7]: Unused

[Bit 8]: Error flag (0: Normality 1: Abnormality of instrument or communication)

[Bit 9] to [Bit 15]: Unused

\* Remove REX-F400/700/900

[Example] The following expressions are when alarm 1 is turned on.

- Binary digit: 00000000 00000100
- Hexadecimal numeral: 0004H
- Decimal numeral: 4

- (2) The data type is treated as binary data with a sign and without a decimal point. For this reason, carefully express and set the data.

[Example] Proportional band setting

Initial value of internal data: 3.0

Communication data: 30

- (3) Any item whose attribute is RO (Read only) is always written the data to the PLC from the **COM-E**. During data write, “1: Writing on monitor data” is written to “COM-E communication status.”

(The RKC temperature controller → **COM-E** → PLC)

- (4) Any item whose attribute is R/W (Read and Write) is read only when “Request command” is set to “1: Setting.”

(PLC → **COM-E** → The RKC temperature controller)

- (5) Any item whose attribute is R/W (Read and Write) is written only when “Request command” is set to “2: Set value monitor.” After finish writing, “COM-E communication status” is set to “1: Writing on monitor data,” “Request command” is set to “0: Monitor.”

(The RKC temperature controller → **COM-E** → PLC)

- (6) The autotuning (AT) function is activated when “AT startup/stop” is set to “1: Autotuning (AT) startup” and “A request for reading out set value” is set to “1: Reading out set value.” After the autotuning (AT) function is finished, the **COM-E** sets “2: Writing on set value” to “A request for reading out set value” to write each set value to the PLC. At this time, “AT startup/stop” returns to “0: Autotuning (AT) end or stop” to change the PID constants.

## 5.5 Communication Items List

### 5.5.1 Reference to communication items list

This communication items list summarizes the register area numbers of the PLC, communication items, data, setting ranges and attributes.

(1) ↓	(2) ↓	(3) ↓	(4) ↓	(5) ↓
Register area No.	Communication items	Data	Setting range	Attribute
1	Set value (SV)	20	Within input range	R/W
2	Alarm set value 1	20	<b>TC/RTD inputs</b> Process alarm, deviation alarm, SV alarm: -1999 to +9999 °C [°F] or -199.9 to +999.9 °C [°F]	R/W
3	Alarm set value 2	20	<b>Voltage/Current inputs</b> Deviation alarm: -Input span to +Input span (Within 9999) Process alarm, SV alarm: Within input range	R/W

(1) Register area No.: It is written in register area numbers of the PLC that can be used with each communication item. Check the register number which will be actually used in **5.6 Table of register area numbers vs. register numbers (P. 49)**.



**Before operation, always set “The total number of RKC temperature controllers” in register area number 22 to the desired number.**

(2) Communication items: It is written in each communication item

(3) Data: It is written in data of each communication item.

20: The maximum number of RKC temperature controllers which can be connected to the **COM-E**.

1: It is a common data of RKC temperature controllers which be connected to the **COM-E**.

(4) Setting range: It is written in setting ranges of each communication item.

(5) Attribute: It is written in attributes of each communication item.

ROs indicate monitor items which are read from the RKC temperature controller by the PLC.

R/Ws indicate items which are read from and written to the RKC temperature controller by the PLC.



**Never set any item whose attribute is RO (Read only).**

## 5.5.2 CB100/400/500/700/900

(Attribute RO: Read only R/W: Read and Write)

Register area No.	Communication items	Data	Setting range	Attribute
1	Set value (SV)	20	Within input range	R/W
2	Alarm 1 set value	20	<b>TC/RTD inputs</b> Process alarm, deviation alarm, SV alarm: –1999 to +9999 °C [°F] or –199.9 to +999.9 °C [°F]	R/W
3	Alarm 2 set value	20	<b>Voltage/Current inputs</b> Deviation alarm: –Input span to +Input span (Within 9999) Process alarm, SV alarm: Within input range	R/W
4	Heater break alarm (HBA) 1 set value <sup>1</sup>	20	0.0 to 100.0 A	R/W
5	RUN/STOP function	20	0: RUN 1: STOP	R/W
6	User unusable province	—	—	—
7	User unusable province	—	—	—
8	Overlap/Deadband <sup>2</sup>	20	<b>TC/RTD inputs:</b> –10 to +10 °C [°F] or –10.0 to +10.0 °C [°F] <b>Voltage/Current inputs:</b> –10.0 to +10.0 % of input span	R/W
9	Heat-side proportional band <sup>3</sup>	20	<b>TC/RTD inputs:</b> 1 (0.1) to Input span or 9999 (999.9) °C [°F] <b>Voltage/Current inputs:</b> 0.1 to 100.0 % of input span (ON/OFF action control when set to 0 or 0.0)	R/W
10	Cool-side proportional band <sup>2</sup>	20	1 to 1000 % of heat-side proportional band (0 can not be set)	R/W
11	Integral time (I) <sup>3</sup>	20	0 to 3600 second (0: PD control)	R/W
12	Derivative time (D) <sup>3</sup>	20	0 to 3600 second (0: PI control)	R/W

<sup>1</sup> Valid only when heater break alarm is available<sup>2</sup> Valid only for heat/cool PID action with autotuning (Water cooling/Air cooling)<sup>3</sup> Cannot be set while the self-tuning (ST) function is activated. Only polling can be made.

Continued on the next page.

Continued from the previous page.

Register area No.	Communication items	Data	Setting range	Attribute
13	Autotuning (AT)	20	0: Autotuning (AT) end or stop 1: Autotuning (AT) startup Change to 0 automatically at the end of Autotuning	R/W
14	Measured value (PV)	20	Within input range	RO
15	User unusable province	—	—	—
16	User unusable province	—	—	—
17	Current transformer input 1 <sup>1</sup>	20	0.0 to 100.0 A	RO
18	Alarm status <sup>2</sup>	20	0: OFF 1: ON	RO
19	User unusable province	—	—	—
20	Request command	1	0: Monitor Command which requests the RKC temperature controller to write data items such as measured value (PV), etc. (attribute: RO) to the PLC side. 1: Setting This is the command of making a request to our temperature controller for writing data items such as set value (SV), etc. (attribute: RW) set to the register on the PLC side (memory). 2: Set value monitor Command which requests the RKC temperature controller to write data items such as set value (SV), etc. (attribute: RW) to the PLC side.	R/W

<sup>1</sup> Valid only when heater break alarm is available<sup>2</sup> For details, refer to **5.4.3 Caution for Handling Communication Data (P. 39)**.

Continued on the next page.



Continued from the previous page.

Register area No.	Communication items	Data	Setting range	Attribute
21	COM-E communication status	1	0: Communication failure 1: Writing on monitor data During monitor data of attribute RO is written to PLC 2: Reading out setting data During setting data of attribute R/W is read from PLC 3: Writing on setting data During setting data of attribute R/W is written to PLC	R/W
22	The connectable number of RKC temperature controllers	1	1 to 20	R/W
23	User unusable province	—	—	—

### 5.5.3 REX-F400/700/900



Before writing data to REX-F400/700/900 (RKC product), switch the operation mode to the Computer mode (COMP). Write data at the PLC can be performed by selecting the REX-F400/700/900 to the Computer mode (COMP). Data can be monitored in the Local mode (LOC).

(Attribute RO: Read only R/W: Read and Write)

Register area No.	Communication items	Data	Setting range	Attribute
1	Set value (SV)	20	Within input range	R/W
2	First alarm set value	20	<b>Process alarm:</b> Within input range <b>Deviation alarm:</b> (–span or –1999) to (+span or +9999) <b>High/low alarm, band alarm:</b> 0 to (span or 9999)	R/W
3	Second alarm set value	20		R/W
4	Heater break alarm (HBA) set value <sup>1</sup>	20	0.0 to 100.0 A	R/W
5	RUN/STOP transfer	20	0: RUN 1: STOP	R/W
6	User unusable province	—	—	—
7	User unusable province	—	—	—
8	Overlap/Deadband <sup>2</sup>	20	–10.0 to +10.0 % of span	R/W
9	Proportional band (Heat-side)	20	0.1 to 999.9 % of span	R/W
10	Proportional band (Cool-side) <sup>2</sup>	20	0.1 to 999.9 % of span	R/W
11	Integral time (I)	20	1 to 3600 second	R/W
12	Derivative time (D)	20	0 to 3600 second (0: PI control)	R/W
13	PID control/Autotuning (AT)	20	0: AT end or PID control 1: AT startup Change to 0 automatically at the end of Autotuning	R/W
14	Measured value (PV)	20	Within input range	RO
15	User unusable province	—	—	—
16	User unusable province	—	—	—
17	Feedback resistance input measured value <sup>3</sup>	20	0.0 to 100.0 %	RO

<sup>1</sup> Valid only when heater break alarm is available

<sup>2</sup> Valid only for heat/cool PID action (including “with autotuning for extruder”)

<sup>3</sup> Valid only for position proportioning PID action

Continued on the next page.

Continued from the previous page.

Register area No.	Communication items	Data	Setting range	Attribute
18	Alarm status <sup>1</sup>	20	0: OFF 1: ON	RO
19	Current transformer input value <sup>2</sup>	20	0.0 to 100.0 A	RO
20	Request command	1	0: Monitor Command which requests the RKC temperature controller to write data items such as measured value (PV), etc. (attribute: RO) to the PLC side.  1: Setting This is the command of making a request to our temperature controller for writing data items such as set value (SV), etc. (attribute: RW) set to the register on the PLC side (memory).  2: Set value monitor Command which requests the RKC temperature controller to write data items such as set value (SV), etc. (attribute: RW) to the PLC side.	R/W
21	COM-E communication status	1	0: Communication failure 1: Writing on monitor data During monitor data of attribute RO is written to PLC 2: Reading out setting data During setting data of attribute R/W is read from PLC 3: Writing on setting data During setting data of attribute R/W is written to PLC	R/W
22	The connectable number of RKC temperature controllers	1	1 to 20	R/W
23	User unusable province	—	—	—

<sup>1</sup> For details, refer to **5.4.3 Caution for Handling Communication Data (P. 39)**.<sup>2</sup> Valid only when heater break alarm is available

### 5.5.4 SA200

(Attribute RO: Read only R/W: Read and Write)

Register area No.	Communication items	Data	Setting range	Attribute
1	Set value (SV)	20	Within input range	R/W
2	First alarm set value (AL1)	20	<b>Process alarm, SV alarm:</b> Setting limiter (low limit) to Setting limiter (high limit) <b>Deviation alarm:</b> –span to +span Within –1999 to +9999 °C [°F] or –199.9 to +999.9 °C [°F]	R/W <sup>1</sup>
3	Second alarm set value (AL2)	20		R/W <sup>2</sup>
4	User unusable province	—	—	—
5	RUN/STOP function	20	0: RUN 1: STOP	R/W
6	User unusable province	—	—	—
7	User unusable province	—	—	—
8	Overlap/Deadband <sup>3</sup>	20	–span to +span Within –1999 to +9999 °C [°F] or –199.9 to +999.9 °C [°F]	R/W <sup>4</sup>
9	Heat-side proportional band (P)	20	<b>Temperature input:</b> 0 (0.0) to span or 9999 (999.9) °C [°F] <b>Voltage/Current inputs:</b> 0.0 to span (ON/OFF action control when set to 0 or 0.0)	R/W <sup>5</sup>
10	Cool-side proportional band <sup>3</sup>	20	1 to 1000 % of heat-side proportional band	R/W <sup>4</sup>
11	Integral time (I)	20	1 to 3600 second (0: PD action)	R/W <sup>5</sup>
12	Derivative time (D)	20	1 to 3600 second (0: PI action)	R/W <sup>5</sup>

<sup>1</sup> If no alarm for first alarm or control loop break alarm is selected, the attribute becomes RO (Read only).

<sup>2</sup> If no alarm for second alarm is selected, the attribute becomes RO (Read only).

<sup>3</sup> Valid only for heat/cool PID action with autotuning (Water cooling/Air cooling)

<sup>4</sup> If heat/cool PID control with autotuning (water cooling/air cooling) for control type is not selected, the attribute becomes RO (Read only).

<sup>5</sup> If the self-tuning (ST) function is on, the attribute becomes RO (Read only).

Continued on the next page.

Continued from the previous page

Register area No.	Communication items	Data	Setting range	Attribute
13	AT startup/stop	20	0: Autotuning (AT) end or stop 1: Autotuning (AT) startup Change to 0 automatically at the end of Autotuning	R/W
14	Measured value (PV)	20	Within input range	RO
15	User unusable province	—	—	—
16	User unusable province	—	—	—
17	User unusable province	—	—	—
18	Alarm status <sup>1</sup>	20	0: OFF 1: ON	RO
19	User unusable province	—	—	—
20	Request command	1	0: Monitor Command which requests the RKC temperature controller to write data items such as measured value (PV), etc. (attribute: RO) to the PLC side. 1: Setting This is the command of making a request to our temperature controller for writing data items such as set value (SV), etc. (attribute: RW) set to the register on the PLC side (memory). 2: Set value monitor Command which requests the RKC temperature controller to write data items such as set value (SV), etc. (attribute: RW) to the PLC side.	R/W

<sup>1</sup> For details, refer to **5.4.3 Caution for Handling Communication Data (P. 39)**.

Continued on the next page.

Continued from the previous page

Register area No.	Communication items	Data	Setting range	Attribute
21	COM-E communication status	1	0: Communication failure 1: Writing on monitor data During monitor data of attribute RO is written to PLC 2: Reading out setting data During setting data of attribute R/W is read from PLC 3: Writing on setting data During setting data of attribute R/W is written to PLC	R/W
22	The connectable number of RKC temperature controllers	1	1 to 20	R/W
23	User unusable province	—	—	—

## 5.6 Table of Register Area Numbers vs. Register Numbers

The register number used for the PLC differs depending on the rotary switch number of the **COM-E**. In the following table, any register number which will be actually used can be checked by referring to “Rotary switch No.” and “Register area No.” in **5.5 Communication Items List (P. 40)**.

### ■ For the Rotary switch No. 0 to 7

Register area No.	Rotary switch No.							
	0	1	2	3	4	5	6	7
1	D1000 to D1019	D1500 to D1519	D2000 to D2019	D2500 to D2519	D3000 to D3019	D3500 to D3519	D4000 to D4019	D4500 to D4519
2	D1020 to D1039	D1520 to D1539	D2020 to D2039	D2520 to D2539	D3020 to D3039	D3520 to D3539	D4020 to D4039	D4520 to D4539
3	D1040 to D1059	D1540 to D1559	D2040 to D2059	D2540 to D2559	D3040 to D3059	D3540 to D3559	D4040 to D4059	D4540 to D4559
4	D1060 to D1079	D1560 to D1579	D2060 to D2079	D2560 to D2579	D3060 to D3079	D3560 to D3579	D4060 to D4079	D4560 to D4579
5	D1080 to D1099	D1580 to D1599	D2080 to D2099	D2580 to D2599	D3080 to D3099	D3580 to D3599	D4080 to D4099	D4580 to D4599
6	D1100 to D1119	D1600 to D1619	D2100 to D2119	D2600 to D2619	D3100 to D3119	D3600 to D3619	D4100 to D4119	D4600 to D4619
7	D1120 to D1139	D1620 to D1639	D2120 to D2139	D2620 to D2639	D3120 to D3139	D3620 to D3639	D4120 to D4139	D4620 to D4639
8	D1140 to D1159	D1640 to D1659	D2140 to D2159	D2640 to D2659	D3140 to D3159	D3640 to D3659	D4140 to D4159	D4640 to D4659
9	D1160 to D1179	D1660 to D1679	D2160 to D2179	D2660 to D2679	D3160 to D3179	D3660 to D3679	D4160 to D4179	D4660 to D4679
10	D1180 to D1199	D1680 to D1699	D2180 to D2199	D2680 to D2699	D3180 to D3199	D3680 to D3699	D4180 to D4199	D4680 to D4699
11	D1200 to D1219	D1700 to D1719	D2200 to D2219	D2700 to D2719	D3200 to D3219	D3700 to D3719	D4200 to D4219	D4700 to D4719

Continued on the next page.

Continued from the previous page.

Register area No.	Rotary switch No.							
	0	1	2	3	4	5	6	7
12	D1220 to D1239	D1720 to D1739	D2220 to D2239	D2720 to D2739	D3220 to D3239	D3720 to D3739	D4220 to D4239	D4720 to D4739
13	D1240 to D1259	D1740 to D1759	D2240 to D2259	D2740 to D2759	D3240 to D3259	D3740 to D3759	D4240 to D4259	D4740 to D4759
14	D1260 to D1279	D1760 to D1779	D2260 to D2279	D2760 to D2779	D3260 to D3279	D3760 to D3779	D4260 to D4279	D4760 to D4779
15	D1280 to D1299	D1780 to D1799	D2280 to D2299	D2780 to D2799	D3280 to D3299	D3780 to D3799	D4280 to D4299	D4780 to D4799
16	D1300 to D1319	D1800 to D1819	D2300 to D2319	D2800 to D2819	D3300 to D3319	D3800 to D3819	D4300 to D4319	D4800 to D4819
17	D1320 to D1339	D1820 to D1839	D2320 to D2339	D2820 to D2839	D3320 to D3339	D3820 to D3839	D4320 to D4339	D4820 to D4839
18	D1340 to D1359	D1840 to D1859	D2340 to D2359	D2840 to D2859	D3340 to D3359	D3840 to D3859	D4340 to D4359	D4840 to D4859
19	D1360 to D1379	D1860 to D1879	D2360 to D2379	D2860 to D2879	D3360 to D3379	D3860 to D3879	D4360 to D4379	D4860 to D4879
20	D1380	D1880	D2380	D2880	D3380	D3880	D4380	D4880
21	D1381	D1881	D2381	D2881	D3381	D3881	D4381	D4881
22	D1382	D1882	D2382	D2882	D3382	D3882	D4382	D4882
23	D1383 to D1399	D1883 to D1899	D2383 to D2399	D2883 to D2899	D3383 to D3399	D3883 to D3899	D4383 to D4399	D4883 to D4899



■ For the Rotary switch No. 8 to F  
(However, the position of the rotary switch: B interdict from setting)

Register area No.	Rotary switch No.							
	8	9	A	B	C *	D *	E	F
1	D5000 to D5019	D5500 to D5519	D6000 to D6019	—	W0000 to W0013	W0200 to W0213	D0000 to D0019	D0500 to D0519
2	D5020 to D5039	D5520 to D5539	D6020 to D6039	—	W0014 to W0027	W0214 to W0227	D0020 to D0039	D0520 to D0539
3	D5040 to D5059	D5540 to D5559	D6040 to D6059	—	W0028 to W003B	W0228 to W023B	D0040 to D0059	D0540 to D0559
4	D5060 to D5079	D5560 to D5579	D6060 to D6079	—	W003C to W004F	W023C to W024F	D0060 to D0079	D0560 to D0579
5	D5080 to D5099	D5580 to D5599	D6080 to D6099	—	W0050 to W0063	W0250 to W0263	D0080 to D0099	D0580 to D0599
6	D5100 to D5119	D5600 to D5619	D6100 to D6119	—	W0064 to W0077	W0264 to W0277	D0100 to D0119	D0600 to D0619
7	D5120 to D5139	D5620 to D5639	D6120 to D6139	—	W0078 to W008B	W0278 to W028B	D0120 to D0139	D0620 to D0639
8	D5140 to D5159	D5640 to D5659	D6140 to D6159	—	W008C to W009F	W028C to W029F	D0140 to D0159	D0640 to D0659
9	D5160 to D5179	D5660 to D5679	D6160 to D6179	—	W00A0 to W00B3	W02A0 to W02B3	D0160 to D0179	D0660 to D0679
10	D5180 to D5199	D5680 to D5699	D6180 to D6199	—	W00B4 to W00C7	W02B4 to W02C7	D0180 to D0199	D0680 to D0699
11	D5200 to D5219	D5700 to D5719	D6200 to D6219	—	W00C8 to W00DB	W02C8 to W02DB	D0200 to D0219	D0700 to D0719

\* Register numbers corresponding to rotary switch numbers C and D are expressed in hexadecimal notation. (Example of the MITSUBISHI MELSEC A series of PLCs)

Continued on the next page.

Continued from the previous page.

Register area No.	Rotary switch No.							
	8	9	A	B	C *	D *	E	F
12	D5220 to D5239	D5720 to D5739	D6220 to D6239	—	W00DC to W00EF	W02DC to W02EF	D0220 to D0239	D0720 to D0739
13	D5240 to D5259	D5740 to D5759	D6240 to D6259	—	W00F0 to W0103	W02F0 to W0303	D0240 to D0259	D0740 to D0759
14	D5260 to D5279	D5760 to D5779	D6260 to D6279	—	W0104 to W0117	W0304 to W0317	D0260 to D0279	D0760 to D0779
15	D5280 to D5299	D5780 to D5799	D6280 to D6299	—	W0118 to W012B	W0318 to W032B	D0280 to D0299	D0780 to D0799
16	D5300 to D5319	D5800 to D5819	D6300 to D6319	—	W012C to W013F	W032C to W033F	D0300 to D0319	D0800 to D0819
17	D5320 to D5339	D5820 to D5839	D6320 to D6339	—	W0140 to W0153	W0340 to W0353	D0320 to D0339	D0820 to D0839
18	D5340 to D5359	D5840 to D5859	D6340 to D6359	—	W0154 to W0167	W0354 to W0367	D0340 to D0359	D0840 to D0859
19	D5360 to D5379	D5860 to D5879	D6360 to D6379	—	W0168 to W017B	W0368 to W037B	D0360 to D0379	D0860 to D0879
20	D5380	D5880	D6380	—	W017C	W037C	D0380	D0880
21	D5381	D5881	D6381	—	W017D	W037D	D0381	D0881
22	D5382	D5882	D6382	—	W017E	W037E	D0382	D0882
23	D5383 to D5399	D5883 to D5899	D6383 to D6399	—	W017F to W018F	W037F to W038F	D0383 to D0399	D0883 to D0899

\* Register numbers corresponding to rotary switch numbers C and D are expressed in hexadecimal notation. (Example of the MITSUBISHI MELSEC A series of PLCs)

# 6. HOST COMMUNICATION

## 6.1 Protocol

RKC communication uses the polling/selecting method to establish a data link. The basic procedure is followed ANSI X3.28-1976 subcategories 2.5 and B1 basic mode data transmission control procedure (Fast selecting is the selecting method used in COM-E).

- The polling/selecting procedures are a centralized control method where the host computer controls the entire process. The host computer initiates all communication so the controller responds according to queries and commands from the host.
- The code use in communication is 7-bit ASCII code including transmission control characters.

### Transmission control characters used in COM-E:

EOT (04H), ENQ (05H), ACK (06H), NAK (15H), STX (02H), ETB (17H), ETX (03H)

( ): Hexadecimal

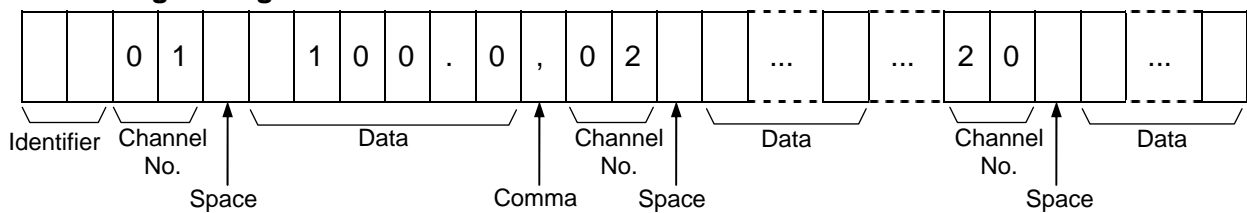
### 6.1.1 Communication data structure

#### ■ Data description (Transmission/receive data structure)

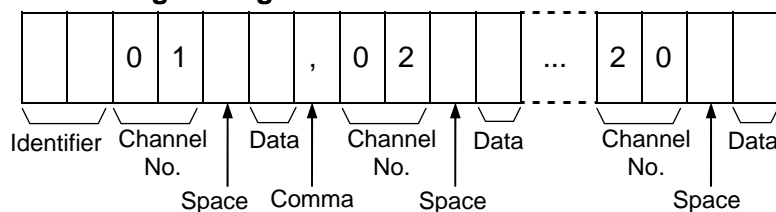


Part of the data above is shown below.

#### ● Data length 6 digits



#### ● Data length 1 digit

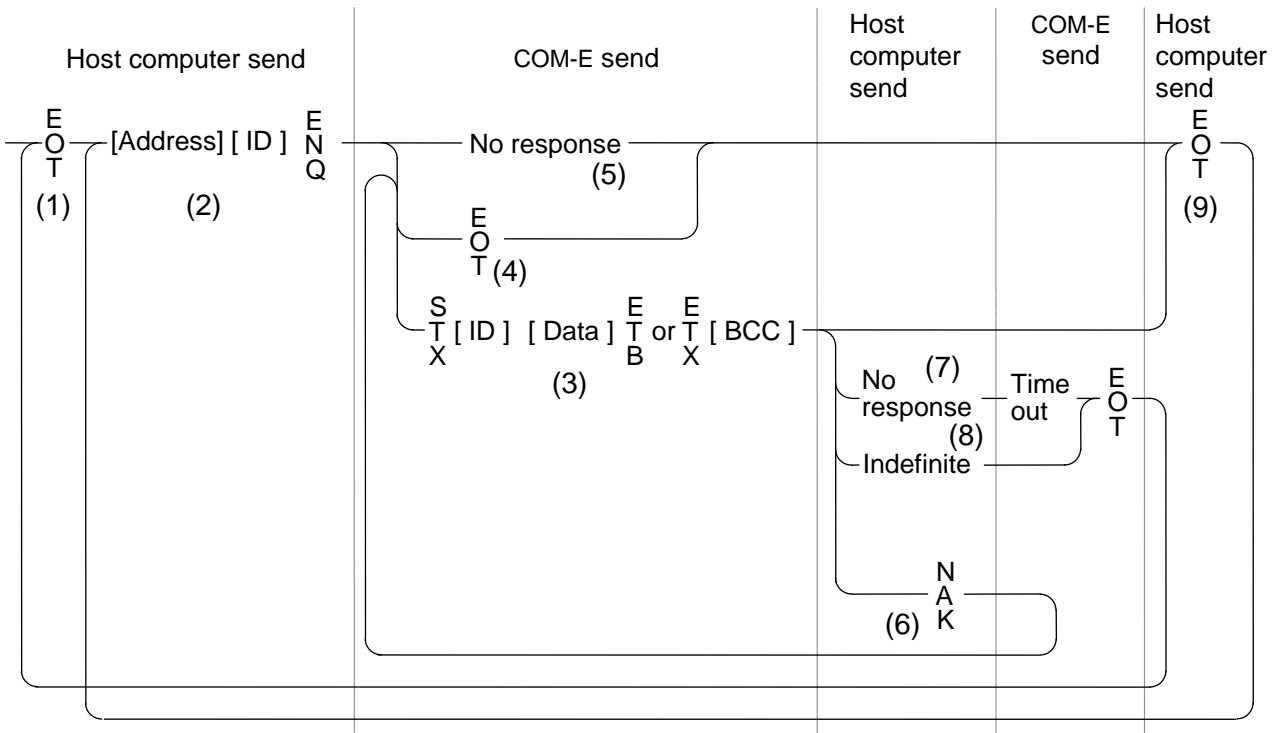


Each channel number becomes the number to identify the relevant controller which is multidrop-connected. The value obtained by adding “1” to the device address of the controller becomes the channel number.

### 6.1.2 Polling

Poling is the action where the host computer requests the connected RKC temperature controller by way of COM-E to transmit data.

An example of the polling procedure is shown below:



ID: Identifier

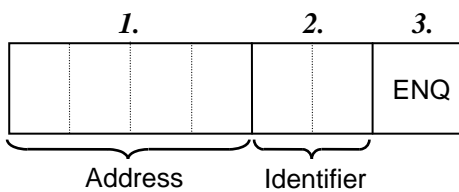
#### ■ Polling procedures

##### (1) Data link initialization

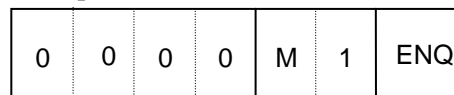
Host computer sends EOT to the controllers to initiate data link before polling sequence.

##### (2) Data sent from host computer - Polling sequence

Host computer sends polling sequence with the format shown below:



Example:



1. Polling address (4 digits)



**In the COM-E, the polling address must be set to “0000.”**

## 2. Identifier (2 digits)

The identifier specifies the type of data that is requested from the RKC temperature controller. Always attach the ENQ code to the end of the identifier.

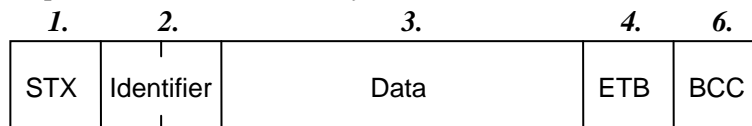
 Refer to **6.2 Communication Identifier List (P. 62)**.

## 3. ENQ

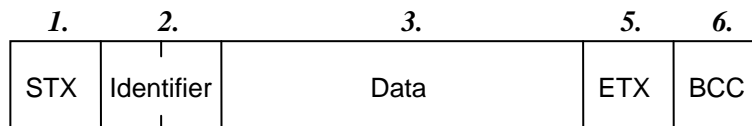
The ENQ is the transmission control character that indicates the end of the polling sequence. The host computer then must wait for a response from the COM-E.

### (3) Data sent from the COM-E

If the polling sequence is received correctly, the COM-E sends data in the following format:



or



If the length of send data (from STX to BCC) exceeds 128 bytes, it is divided into blocks by ETB. In this case, the succeeding divided data is sent after STX.

### 1. STX

STX is the transmission control character which indicates the start of the text transmission (identifier and data).

### 2. Identifier (2 digits)

The identifier indicates the type of data (measured value, status and set value) sent to the host computer.

 Refer to **6.2 Communication Identifier List (P. 62)**.

### 3. Data

Data which is indicated by an identifier of this instrument, consisting of channel numbers, data, etc. Each channel number and data are delimited by a space (20H). The data and the next channel number are delimited by a comma.

- Channel number: 2-digit ASCII code, not zero-suppressed.

In this specification, the value obtained by adding “1” to the device address of the controller becomes the channel number.

- Data: ASCII code, zero-suppressed with spaces (20H). The number of digits varies depending on the type of identifier.

4. ETB

Transmission control character indicating the end of the block.

5. ETX

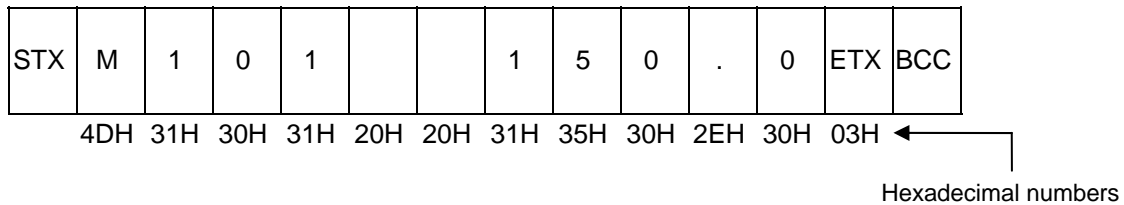
Transmission control character indicating the end of the text.

6. BCC

BCC (Block Check Character) detects error using horizontal parity and is calculated by horizontal parity (even number).

Calculation method of BCC: *Exclusive OR* all data and characters from STX through ETB or ETX, not including STX.

Example:



$$BCC = 4DH \oplus 31H \oplus 30H \oplus 31H \oplus 20H \oplus 20H \oplus 31H \oplus 35H \oplus 30H \oplus 2EH \oplus 30H \oplus 03H = 54H$$

( $\oplus$ : *Exclusive OR*)

Value of BCC becomes 54H

**(4) EOT send (Ending data transmission from the COM-E)**

In the following cases, the COM-E sends EOT to terminate the data link:

- When the specified identifier is invalid
- When there is an error in the data format
- When all the data has been sent

**(5) No response from the COM-E**

The COM-E will not respond if the polling address is not received correctly. It may be necessary for the host computer to take corrective action such as a time-out.

**(6) NAK (Negative acknowledge)**

If the host computer does not receive correct data from the COM-E, it sends a negative acknowledgment NAK to the COM-E. The COM-E will re-send the same data when NAK is received. This cycle will go on continuously until either recovery is achieved or the data link is corrected at the host computer.

**(7) No response from host computer**

When the host computer does not respond within approximately three seconds after the COM-E sends data, the COM-E sends EOT to terminate the data link (time-out time: about 3 seconds).

**(8) Indefinite response from host computer**

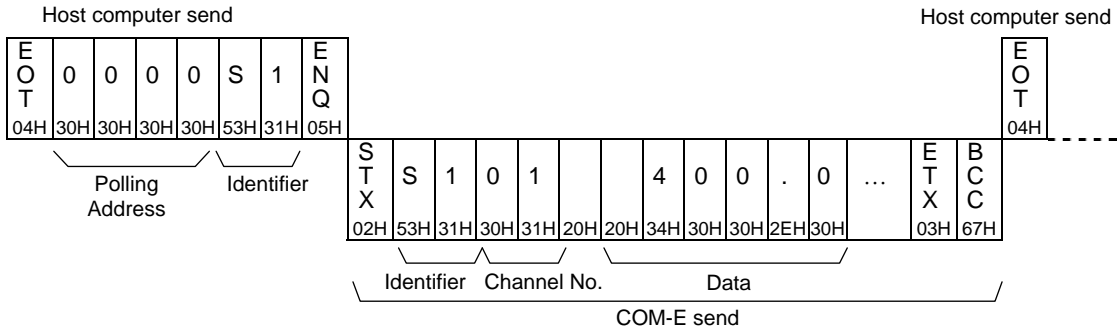
The COM-E sends EOT to terminate the data link when the host computer response is indefinite.

**(9) EOT (Data link termination)**

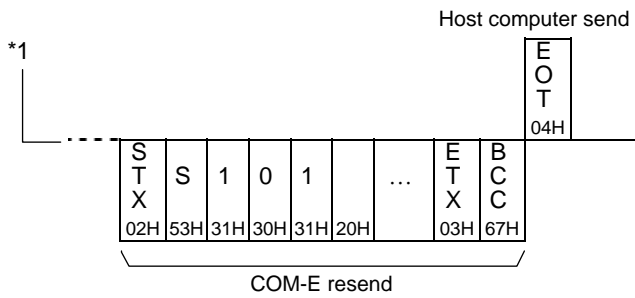
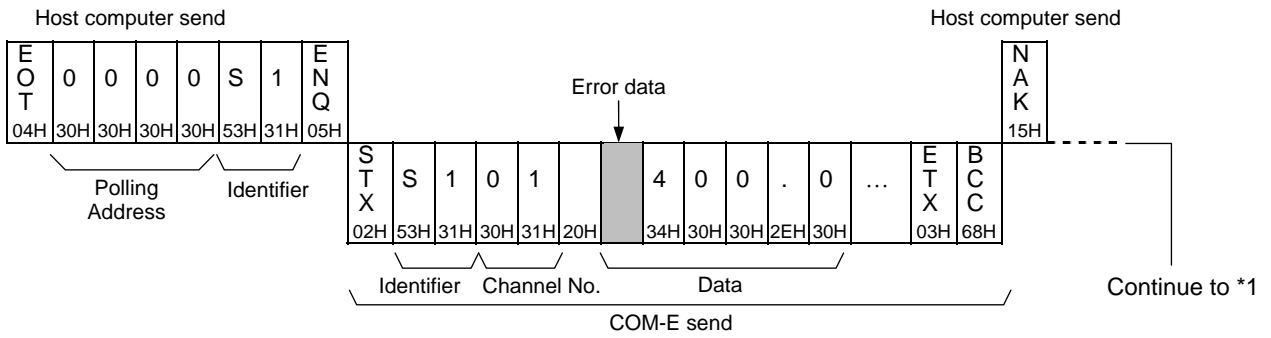
The host computer sends EOT message when it is necessary to suspend communication with the COM-E or to terminate the data link due lack of response from the COM-E.

■ Polling procedure example (When the host computer requests data)

● Normal transmission



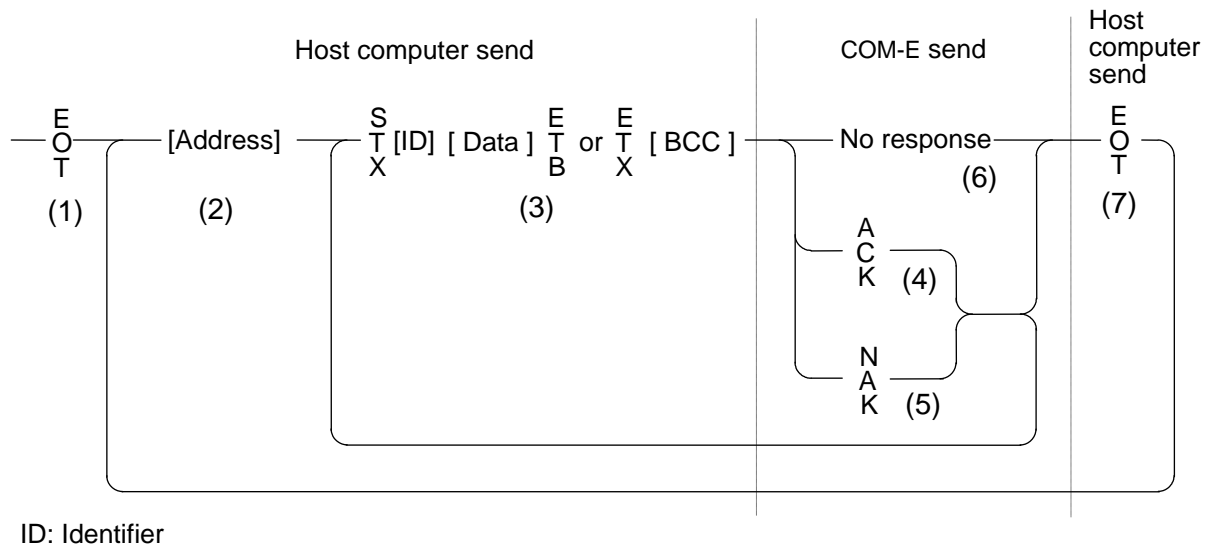
● Error transmission





### 6.1.3 Selecting

Selecting is the action where the host computer requests one of the connected COM-E to receive data. An example of the selecting procedure is shown below:



#### ■ Selecting procedures

##### (1) Data link initialization

Host computer sends EOT to the COM-E to initiate data link before selecting sequence.

##### (2) Sending selecting address from the host computer

Host computer sends selecting address for the selecting sequence.

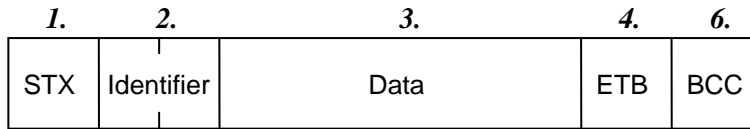
Selecting address (4 digits)



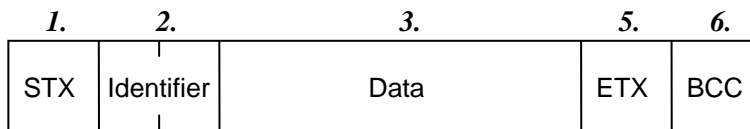
The selecting address becomes “0000” stationary with COM-E.

### (3) Data sent from the host computer

The host computer sends data for the selecting sequence with the following format:



or



If the length of send data (from STX to BCC) exceeds 128 bytes, it is divided into blocks by ETB. In this case, the succeeding divided data is sent after STX.



Details for 1 to 6, refer to **6.1.2 Polling (P. 53)**.

### (4) ACK (Acknowledgment)

An acknowledgment ACK is sent by the COM-E when data received is correct. When the host computer receives ACK from the COM-E, the host computer will send any remaining data. If there is no more data to be sent to COM-E, the host computer sends EOT to terminate the data link.

### (5) NAK (Negative acknowledge)

In the following cases, the COM-E sends NAK. Then the appropriate recovery processing steps should be taken, such as resending the data on the host computer side.

- When an error occurs on the line (parity error, framing error, etc.)
- When a BCC check error occurs
- When the specified identifier is invalid
- When there is an error in the data format
- When receive data exceeds the setting range

### (6) No response from SR Mini HG SYSTEM

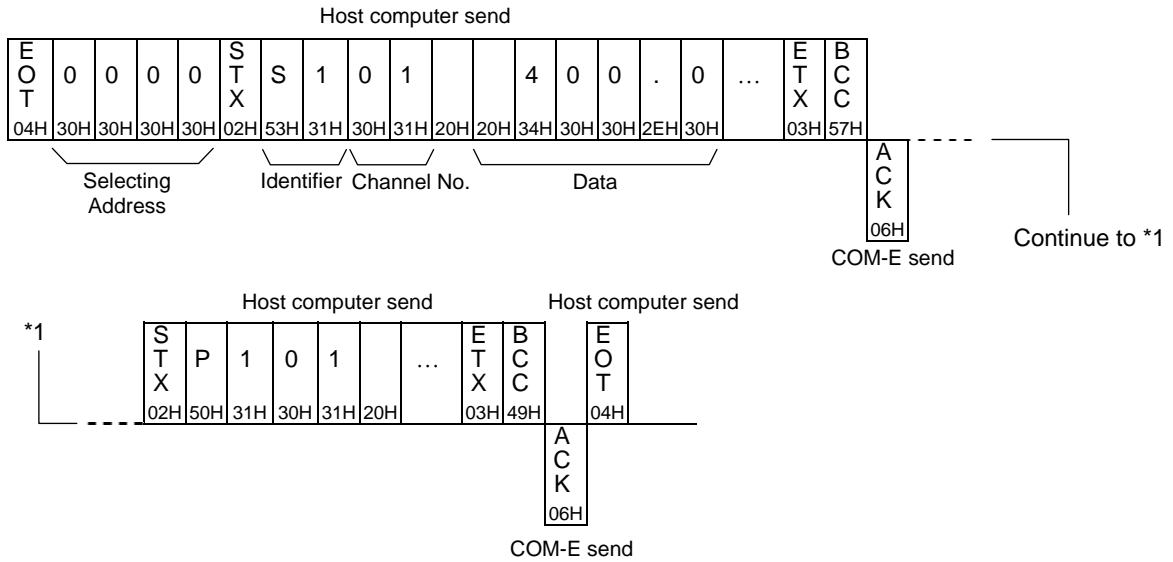
The COM-E does not respond when it can not receive the selecting address, STX, ETB, ETX or BCC.

### (7) EOT (Data link termination)

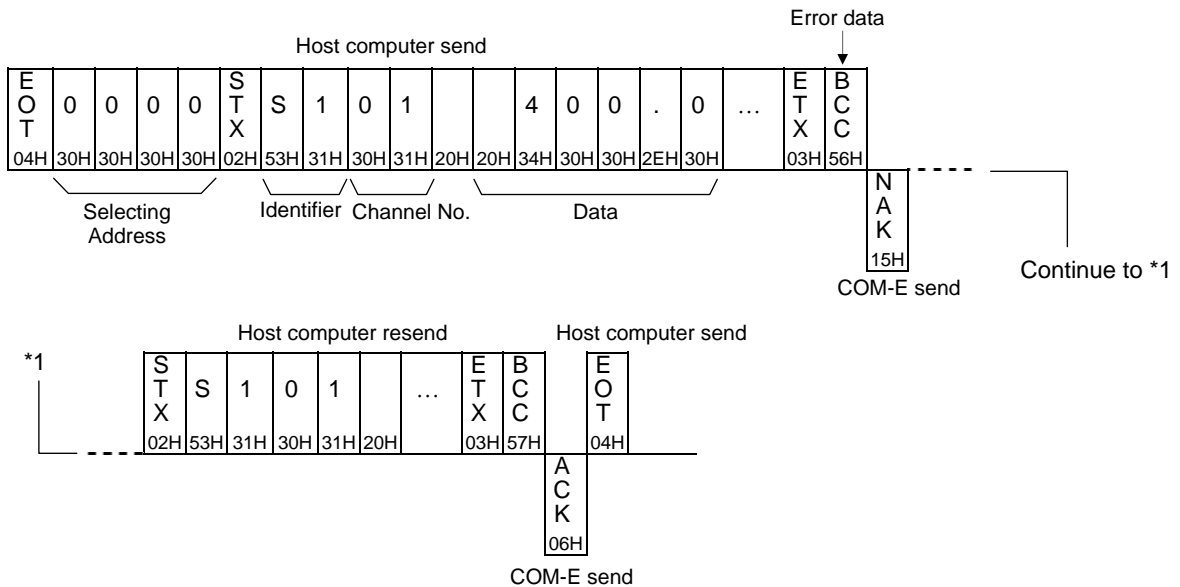
The host computer sends EOT when there is no more data to be sent from the host computer or there is no response from the COM-E.

■ Selecting procedure example (when the host computer sends data)

● Normal transmission



● Error transmission



## 6.2 Communication Identifier List

### 6.2.1 CB100/400/500/700/900

(Attributes RO: Read only, R/W: Read/Write )

Name	Identifier	Digits	Attribute	Data range	Factory set value
Alarm 1 status <sup>1</sup>	<b>AA</b>	1	RO	0: OFF 1: ON	—
Alarm 2 status <sup>2</sup>	<b>AB</b>	1	RO	0: OFF 1: ON	—
Current transformer input 1 <sup>2</sup>	<b>M2</b>	6	RO	0.0 to 100.0 A	—
Alarm 1 set value <sup>1</sup>	<b>A1</b>	6	R/W	<b>TC/RTD inputs</b> Process alarm, deviation alarm, SV alarm: –1999 to +9999 °C [°F] or –199.9 to +999.9 °C [°F]	TC/RTD inputs: 50 or 50.0
Alarm 2 set value <sup>2</sup>	<b>A2</b>	6	R/W	<b>Voltage/Current inputs</b> Deviation alarm: –Input span to + Input span (Within 9999) Process alarm, SV alarm: Within input range	Voltage/ Current inputs: 5.0
Heater break alarm (HBA) 1 set value <sup>2</sup>	<b>A3</b>	6	R/W	0.0 to 100.0 A	0.0

<sup>1</sup> The communicable identifier differs depending on the alarm type specified in alarm 1.

– : Communication is impossible × : Communication is possible

Name	Identifier	The alarm type specified in alarm 1			
		Deviation alarm	Process alarm	SV alarm	No alarm
Alarm 1 status	<b>AA</b>	×	×	×	–
Alarm 1 setting	<b>A1</b>	×	×	×	–

<sup>2</sup> The communicable identifier differs depending on the alarm type specified in alarm 2.

– : Communication is impossible × : Communication is possible

Name	Identifier	The alarm type specified in alarm 2				
		Deviation alarm	Process alarm	Heater break alarm (HBA)	SV alarm	No alarm
Current transformer input 1	<b>M2</b>	–	–	×	–	–
Alarm 2 status	<b>AB</b>	×	×	×	×	–
Alarm 2 setting	<b>A2</b>	×	×	–	×	–
Heater break alarm (HBA) 1 setting	<b>A3</b>	–	–	×	–	–

Continued on the next page.

Continued from the previous page.

(Attributes RO: Read only, R/W: Read/Write)

Name	Identifier	Digits	Attribute	Data range	Factory set value
Measured value (PV)	<b>M1</b>	6	RO	Within input range	—
Burnout	<b>B1</b>	1	RO	0: OFF 1: ON	—
RUN/STOP transfer	<b>SR</b>	1	R/W	0: RUN 1: STOP	0
Autotuning (AT)	<b>G1</b>	1	R/W	0: OFF 1: ON	0
Set value (SV)	<b>S1</b>	6	R/W	Within input range	0
Heat-side proportional band <sup>1</sup>	<b>P1</b>	6	R/W	<b>TC/RTD inputs:</b> 1 (0.1) to Input span or 9999 (999.9) °C [°F] <b>Voltage/Current inputs:</b> 0.1 to 100.0 % of input span (ON/OFF action control when set to 0 or 0.0.)	TC/RTD inputs: 30 (30.0)  Voltage/ Current inputs: 3.0
Cool-side proportional band <sup>2</sup>	<b>P2</b>	6	R/W	1 to 1000 % of heat-side proportional band	100
Integral time <sup>1</sup>	<b>I1</b>	6	R/W	0 to 3600 seconds (0: PD control)	240
Derivative time <sup>1</sup>	<b>D1</b>	6	R/W	0 to 3600 seconds (0: PI control)	60
Overlap/deadband <sup>2</sup>	<b>V1</b>	6	R/W	<b>TC/RTD inputs:</b> -10 to +10 °C [°F] or -10.0 to +10.0 °C [°F] <b>Voltage/Current inputs:</b> -10.0 to +10.0 % of input span	0 or 0.0

<sup>1</sup> Cannot be set while the self-tuning (ST) function is activated. Only polling can be made.<sup>2</sup> This is an identifier which enables communication at heat/cool PID action with autotuning (Water cooling/Air cooling).

## 6.2.2 REX-F400/700/900



Before writing data to REX-F400/700/900 (RKC product), switch the operation mode to the Computer mode (COMP). Write data at the PLC can be performed by selecting the REX-F400/700/900 to the Computer mode (COMP). Data can be monitored in the Local mode (LOC).

(Attributes RO: Read only, R/W: Read/Write)

Name	Identifier	Digits	Attribute	Data range	Factory set value
Alarm 1 status	AA	1	RO	0: OFF 1: ON	—
Alarm 2 status	AB	1	RO	0: OFF 1: ON	—
Burnout	B1	1	RO	0: OFF 1: ON	
Measured value (PV)	M1	6	RO	Within input range	—
Feedback resistance input value (POS) <sup>1</sup>	M2	6	RO	0.0 to 100.0 %	—
Current transformer input value <sup>2</sup>	M3	6	RO	0.0 to 100.0 A	—
Set value (SV)	S1	6	R/W	Within input range	0
Alarm 1 set value	A1	6	R/W	<b>Process alarm:</b> Within input range <b>Deviation alarm:</b> (–span or –1999) to (+span or +9999) <b>High and low alarm, band alarm:</b> 0 to (+span or +9999) * Decimal-point position varies with input type.	50.0
Alarm 2 set value	A2	6	R/W		-50.0
Heater break alarm (HBA) set value <sup>2</sup>	A3	6	R/W	0.0 to 100.0 A	0.0
Heat-side proportional band	P1	6	R/W	0.1 to 999.9 % of span	3.0
Cool-side proportional band <sup>3</sup>	P2	6	R/W	0.1 to 999.9 % of span	3.0
Integral time	I1	6	R/W	1 to 3600 seconds	240
Derivative time	D1	6	R/W	0 to 3600 seconds (0: PI control)	60
Overlap/deadband <sup>3</sup>	V1	6	R/W	–10.0 to +10.0 % of span	0.0
RUN/STOP transfer	SR	1	R/W	0: RUN 1: STOP	0
PID control/ autotuning (AT) transfer	G1	1	R/W	0: Autotuning OFF or PID control 1: Autotuning ON	0

<sup>1</sup> This is the identifier effective when the presence of the position proportioning PID action is selected.

<sup>2</sup> This is the identifier effective when the presence of the heater break alarm function is selected.

<sup>3</sup> This is the identifier effective when the presence of the heat/cool PID action (including with autotuning for extruder) is selected.

## 6.2.3 SA200

(Attributes RO: Read only, R/W: Read/Write)

Name	Identifier	Digits	Attribute	Data range	Factory set value
Alarm 1 status	<b>AA</b>	1	RO	0: OFF 1: ON	—
Alarm 2 status	<b>AB</b>	1	RO	0: OFF 1: ON	—
Alarm 1 set value	<b>A1</b>	6	R/W <sup>1</sup>	<b>Process alarm, SV alarm:</b> Setting limiter low to Setting limiter high	Temperature input: 50 or 50.0
Alarm 2 set value	<b>A2</b>	6	R/W <sup>2</sup>	<b>Deviation alarm:</b> –span to +span However, within –1999 to +9999 °C [°F] or –199.9 to +999.9 °C [°F]	Voltage/ Current inputs: 5.0
Burnout	<b>B1</b>	1	RO	0: OFF 1: ON	—
RUN/STOP transfer	<b>SR</b>	1	R/W	0: RUN 1: STOP	0
Measured value (PV)	<b>M1</b>	6	RO	Within input range	—
Autotuning (AT)	<b>G1</b>	1	R/W	0: OFF 1: ON	0
Set value (SV)	<b>S1</b>	6	R/W	Within input range	0
Heat-side proportional band	<b>P1</b>	6	R/W <sup>3</sup>	<b>Temperature input:</b> 0 (0.0) to span or 9999 (999.9) °C [°F] <b>Voltage/Current inputs:</b> 0.0 to span (0 or 0.0: ON/OFF action)	Temperature input: 30 or 30.0 Voltage/ Current inputs: 3.0
Cool-side proportional band	<b>P2</b>	6	R/W <sup>4</sup>	1 to 1000 % of heat-side proportional band	100
Integral time	<b>I1</b>	6	R/W <sup>3</sup>	0 to 3600 seconds (0: PD action)	240
Derivative time	<b>D1</b>	6	R/W <sup>3</sup>	0 to 3600 seconds (0: PI action)	60
Overlap/deadband * Valid only for heat/cool PID action	<b>V1</b>	6	R/W <sup>4</sup>	–span to +span However, within –1999 to +9999 °C [°F] or –199.9 to +999.9 °C [°F]	0 or 0.0

<sup>1</sup> If no alarm for alarm 1 or control loop break alarm is selected, the attribute becomes RO.

<sup>2</sup> If no alarm for alarm 2 is selected, the attribute becomes RO.

<sup>3</sup> Cannot be written while the self-tuning (ST) function is on, only Read is available.

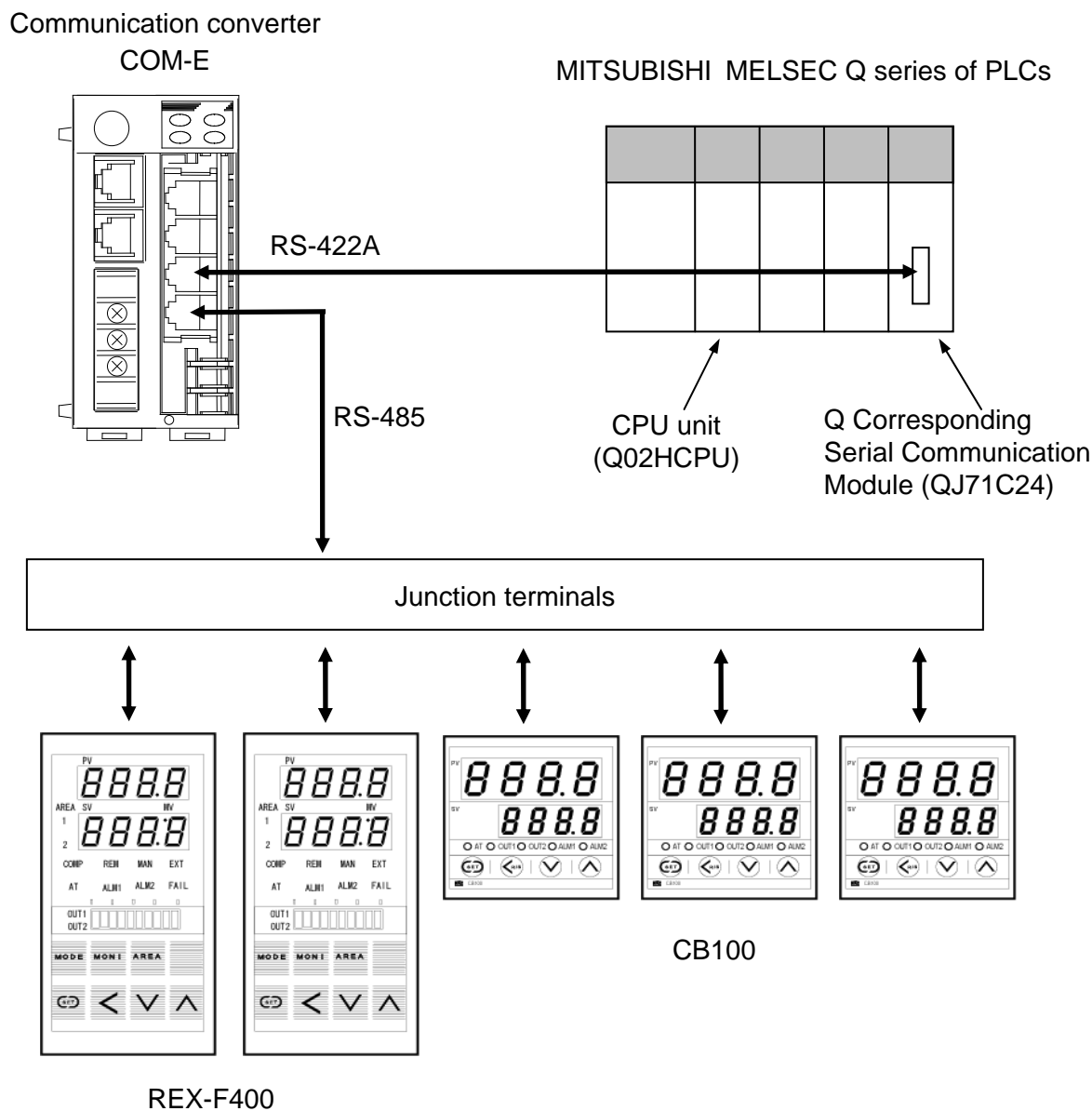
<sup>4</sup> If heat/cool PID control with autotuning (water cooling/air cooling) for control type is not selected, the attribute becomes RO.

# 7. USAGE EXAMPLE

This section describes the procedures for setting the initial values and the set values after the COM-E is purchased by referring to an example when connected to a MITSUBISHI MELSEC Q series of PLCs.

## 7.1 Configuration Instrument

### ■ System configuration





### ■ Use instruments

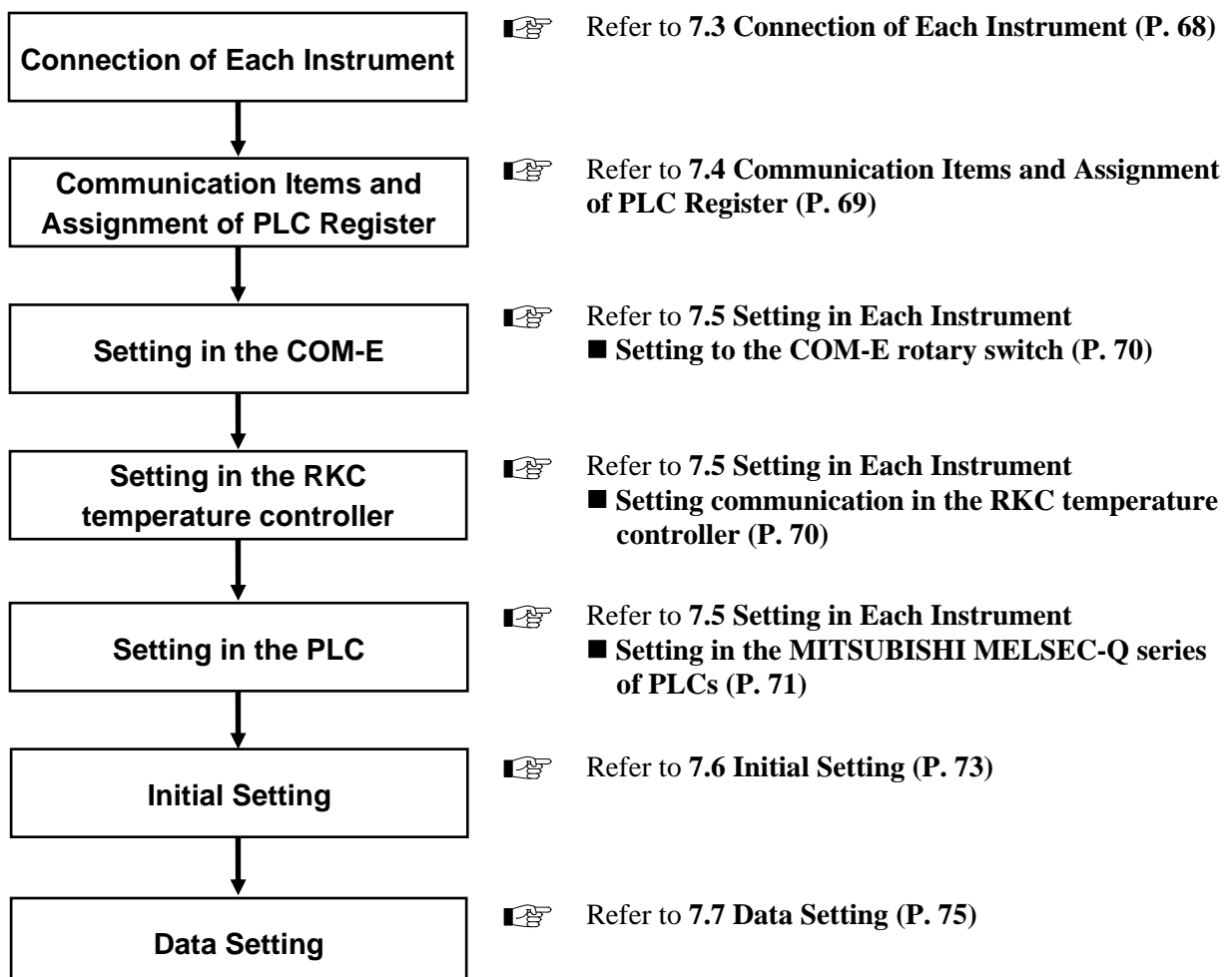
- COM-E-02-01: 1
- RKC temperature controller
  - REX-F400: 2 [Communication interface RS-485]
  - CB100: 3 [Communication interface RS-485]
- MITSUBISHI MELSEC Q series of PLCs
  - CPU unit Q02HCPU: 1
  - Q Corresponding Serial Communication Module QJ71C24: 1 [Communication interface RS-422A]

### ■ Use cables

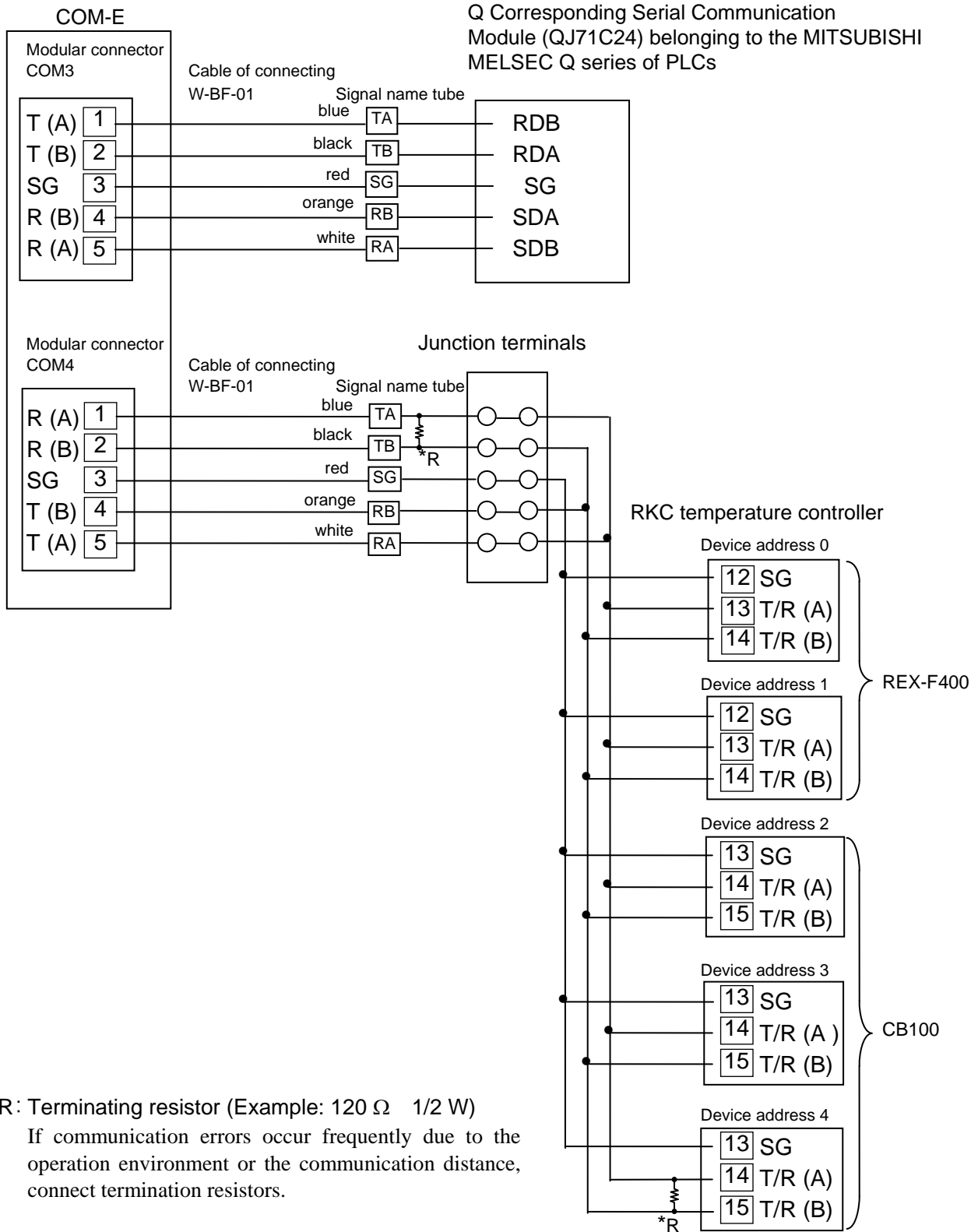
- Between the COM-E and PLC: 1 [W-BF-01 modular connector cable in RKC product]
- Between the COM-E and relay terminal block: 1 [W-BF-01 modular connector cable in RKC product]
- Between the RKC temperature controller and relay terminal block: 6 [The cable must be provided by the customer.]

## 7.2 Handling Procedures

Conduct the handling according to the procedure described below.



### 7.3 Connection of Each Instrument



## 7.4 Communication Items and Assignment of PLC Register

The following show items communicating with our temperature controller and those assigned to the PLC register in this application example.


### ■ Communication items of the RKC temperature controller

- Set value (SV)
- Alarm 1 set value
- Measured value (PV)
- Alarm status
- Request command
- COM-E communication status
- The total number of RKC temperature controllers

### ■ Assignment of the PLC register number

Register range to use with the PLC side is from D5500 to D5882.

Register area No.	PLC register No.	Communication items	The RKC temperature controller	
			Device address	Model
1	D5500	Set value (SV)	0	REX-F400
	D5501	Set value (SV)	1	REX-F400
	D5502	Set value (SV)	2	CB100
	D5503	Set value (SV)	3	CB100
	D5504	Set value (SV)	4	CB100
2	D5520	Alarm 1 set value	0	REX-F400
	D5521	Alarm 1 set value	1	REX-F400
	D5522	Alarm 1 set value	2	CB100
	D5523	Alarm 1 set value	3	CB100
	D5524	Alarm 1 set value	4	CB100
14	D5760	Measured value (PV)	0	REX-F400
	D5761	Measured value (PV)	1	REX-F400
	D5762	Measured value (PV)	2	CB100
	D5763	Measured value (PV)	3	CB100
	D5764	Measured value (PV)	4	CB100
18	D5840	Alarm status	0	REX-F400
	D5841	Alarm status	1	REX-F400
	D5842	Alarm status	2	CB100
	D5843	Alarm status	3	CB100
	D5844	Alarm status	4	CB100
20	D5880	Request command	Common	Common
21	D5881	COM-E Communication status	Common	Common
22	D5882	The total number of RKC temperature controllers	Common	Common

 The details of communication items refer to **5.5 Communication Items List (P. 39)**.

## 7.5 Setting in Each Instrument

Always conduct the following settings before connecting each instrument.

### ■ Setting to the COM-E rotary switch

As the register range used on the PLC side is from D5500 to D5882, the COM-E rotary switch is set to “9.”

Setting item	Description
PLC register area	9: D5500 to D5899

(9: Factory set value)

 About setting of the COM-E rotary switch, refer to **5.1 Rotary Switch Setting (P. 31)**.


### ■ Setting communication in the RKC temperature controller

#### • REX-F400

Setting item	Description
Communication speed	19200 bps
Data bit	8
Stop bit	1
Parity bit	Without
Interval time	25 ms or more
Device address	0, 1

#### • CB100

Setting item	Description
Communication speed	19200 bps
Data bit	8
Stop bit	1
Parity bit	Without
Interval time	15 or more (25 ms or more)
Device address	2, 3, 4

 For details on setting communication with the RKC temperature controller, refer to the **Communications instruction manual** for the RKC temperature controller

### ■ Setting in the MITSUBISHI MELSEC-Q series of PLCs

Setting item	Description
Communication speed	19200 bps
Data bit	8
Stop bit	1
Parity bit	No
Sum check code	Yes
Write during RUN	Allowed
Station number	0
Communication protocol	MC protocol Format 4



Setting in the Q Corresponding Serial Communication Module (QJ71C24) belonging to the MITSUBISHI MELSEC-Q series of PLCs do with the GX Developer of the MITSUBISHI MELSOFT series (SW□D5C-GPPW-E).

Setting set the following set value with [GX Developer] → [PLC parameters] → [I/O assignment setting] → [Switch setting].

- Switch 3: **07E2** (Hexadecimal)
- Switch 4: **0004** (Hexadecimal)
- Switch 5: **0000** (Hexadecimal)

[Setting screen]

Switch setting for I/O and intelligent functional module

Input format **HEX.**

For RS-232C |  For RS-485/422A

	Slot	Type	Model name	Switch1	Switch2	Switch3	Switch4	Switch5
0	PLC	PLC	Q02HCPU					
1	0 (0-0)	Inteli	QJ61BT11					
2	1 (0-1)	Inteli	QJ71C24	07EE	07EE	07E2	0004	0000
3	2 (0-2)	Input	QX42					
4	3 (0-3)	Output	QY42P					
5	4 (0-4)							
6	5 (0-5)							
7	6 (0-6)							
8	7 (0-7)							
9								
10								
11								
12								
13								
14								
15								

End      Cansel

To be set.

Continued on the next page.

Continued from the previous page.

- Description Switches 1 to 5

Switch number	Description	
Switch 1	b15 to b8	b7 to b0
	CH1 Communication rate setting	CH1 Transmission setting
Switch 2	CH1 Communication protocol setting	
Switch 3	b15 to b8	b7 to b0
	CH2 Communication rate setting	CH2 Transmission setting
Switch 4	CH2 Communication protocol setting	
Switch 5	Station number setting	

\* Set the transmission specifications and communication protocol of each interface using the combinations of setting values for each switch with 16 bit binary data.

- Setting on switch 3 (CH2 Transmission setting)

Bit	Description	OFF (0)	ON (1)	Setting	Set value
b0	Operation setting *	Independent	Link	0	2
b1	Data bit	7	8	1	
b2	Parity bit	No	Yes	0	
b3	Even/Odd parity	Odd	Even	0	E
b4	Stop bit	1	2	0	
b5	Sum check code	No	Yes	1	
b6	Write during RUN	Prohibited	Allowed	1	
b7	Setting modifications	Prohibited	Allowed	1	

\* Must be set to OFF (0) on CH1

- Setting on switch 3 (CH2 Communication rate setting)

Communication rate	Bit position	Communication rate	Bit position
(Unit: bps)	b15 to b8	(Unit: bps)	b15 to b8
300	00H	14400	06H
600	01H	19200	07H
1200	02H	28800	08H
2400	03H	38400	09H
4800	04H	57600	0AH
9600	05H	115200	0BH

\* Set 19200 bps on communication rate. (set value: 07)

- Setting on switch 4 (CH2 Communication protocol setting)

Set number	Description	Set number	Description	
0H	GX Developer connection	6H	Non procedure protocol	
1H	MC protocol	7H	Bidirectional protocol	
2H		Format 1	8H	For linked operation setting
3H		Format 2	9H to DH	Setting prohibited
4H		Format 3	EH	ROM/RAM/switch test
5H		Format 4	FH	Individual station loopback test
	Format 5			

\* Set MC protocol Format 4 on communication protocol setting. (Set value: 04)

- Setting on switch 5 (Station number setting)

This setting is common for both CH1 and CH2 sides.

When several the Q series C24s are connected on the same line with multidrop connection, set the station number designated in the data items of the transmission frame in each external device to 0 to 31 (0H to 1FH).

This number designates which external device is to be communicated with the Q series C24.

Set the station number to 0 when the system configuration of the external device and the PLC CPU is 1:1.



When more than one block is using intelligent functional modules of the serial communication module, set the interrupt pointer setting with [GX Developer] → [PLC parameters] → [PLC system setting] → [Interrupt pointer setting].



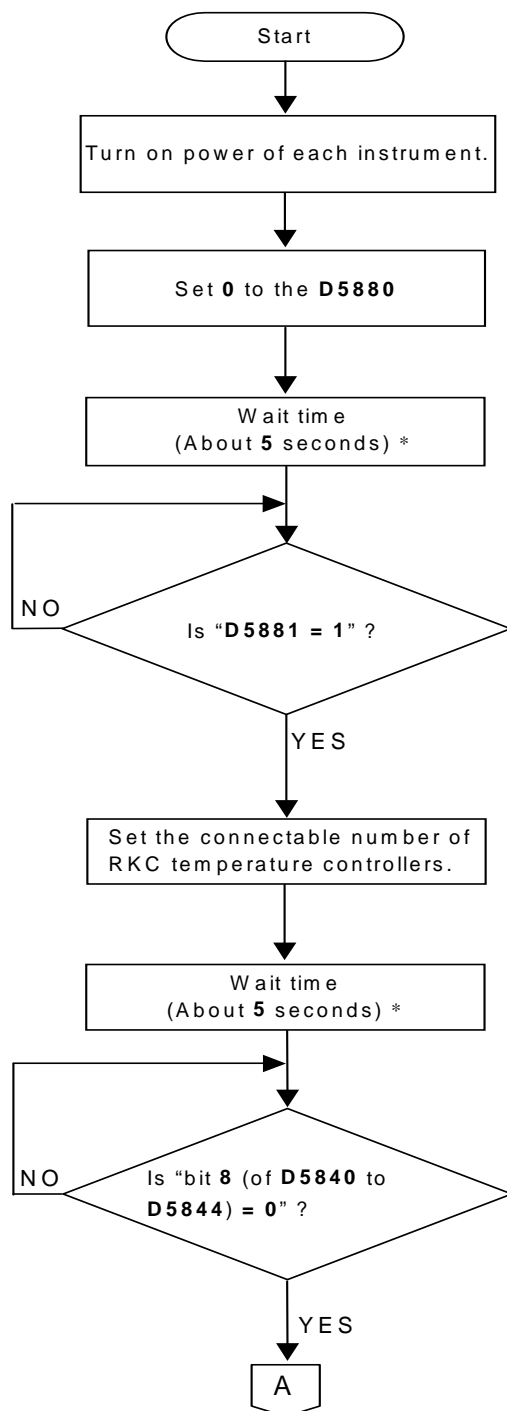
The details of setting refer to the Users Manual (Basic) for the Q Corresponding Serial Communication Module and the Operating Manual for the GX Developer.

## 7.6 Initial Setting

Change each set value of our temperature controller from the PLC after the following initial settings are made.



**If each set value of our temperature controller is changed from the PLC without setting the initial values, it is re-written to 0 with each set value of the PLC at that time set to 0.**



If the power is supplied simultaneously to the PLC and COM-E, the ERR indicator \* on the Q Corresponding Serial Communication Module (QJ71C24) side of the PLC lights.

This is because the COM-E sends the BRK (break) signal to the PLC for about 10 seconds, but not abnormal.

\* When the ERR indicator turn on once, it is held.

For details of error reset, refer to the Users Manual (Basic) for the Q Corresponding Serial Communication Module and the Operating Manual for the GX Developer .

### Checking initial communication

If **1** (writing on monitor data) is set to **D5881** (COM-E communication status) the wait time after **0** (monitor) is set to **D5880** (request command) in the PLC, our temperature controller communicates normally with the PLC to indicate that our temperature controller data items such as temperature measured values, etc. (attribute: RO) are being written into the PLC.

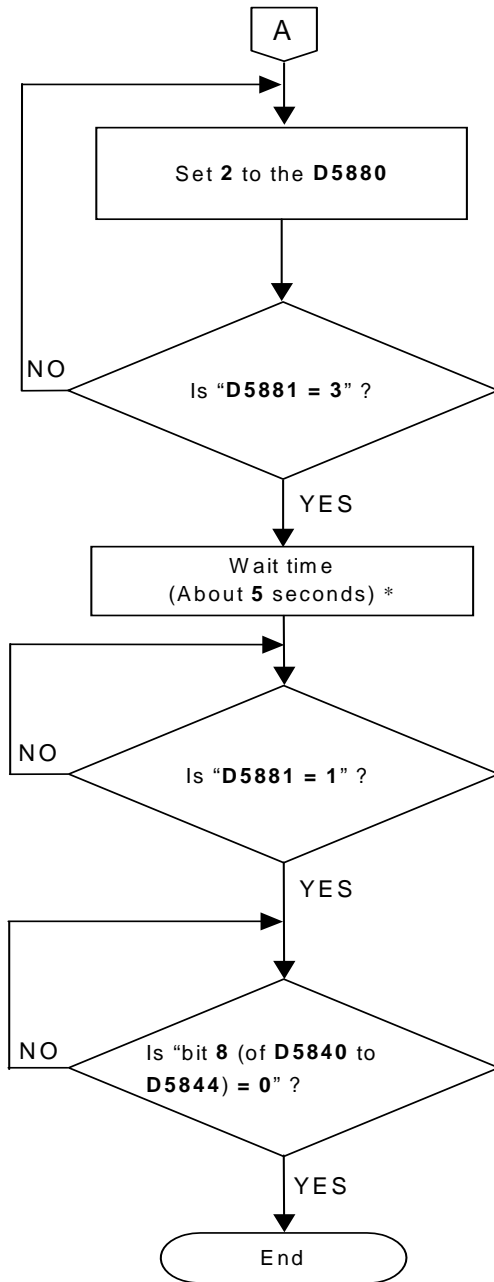
Sets the number of our temperature controllers used in this system.

[Example]

Set **5** (for 5 controllers) to **D5882** (the connectable number of RKC temperature controllers) in the PLC.

If bit **8** (error flag) of **D5840** to **D5844** (alarm status) in the PLC corresponds to **0** (normality), this indicates that each temperature controller is normal.

\* Spend a wait time of about 5 seconds (1 second/controller) after being set. In addition, process data in each item as indefinite during this period.



Our temperature controller set data items such as present temperature set values, etc. (attribute: RW) are written into the PLC by setting **2** (set value monitor) to **D5880** (Request command) in the PLC.

If **3** (writing on setting data) is set to **D5881** (COM-E communication status) in the PLC, this indicates that our temperature controller set data items such as present temperature set values, etc. (attribute: RW) are being written into the PLC.

If **1** (writing on monitor data) is set to **D5881** (COM-E communication status) in the PLC, this indicates that our temperature controller set data items such as present temperature set values, etc. (attribute: RW) have been written to start writing our temperature controller data items such as temperature measured values, etc. (attribute: RO) into the PLC.

If bit **8** (error flag) of **D5840** to **D5844** (alarm status) in the PLC corresponds to **0** (normality), this indicates that each temperature controller is normal.

\* Spend a wait time of about 5 seconds (1 second/controller) after being set. In addition, process data in each item as indefinite during this period.



The same setting procedure applies when other PLCs are also use.



Make a regular communication check during the normal communication state to see if **D5881** (COM-E communication status) becomes **1** (monitor write), **2** (setting read) or **3** (setting write) when **0** (communication error) is written to **D5881**. Some PLCs may memorize the status before the power off. Attempt the above check during the initializing process at re-start.



## 7.7 Data Setting

It is assumed that initial setting is finished.



**If each set value of our temperature controller is changed from the PLC without setting the initial values, it is re-written to 0 with each set value of the PLC at that time set to 0.**

### ■ Setting example

When setting our temperature controller temperature set value (SV) as follows:

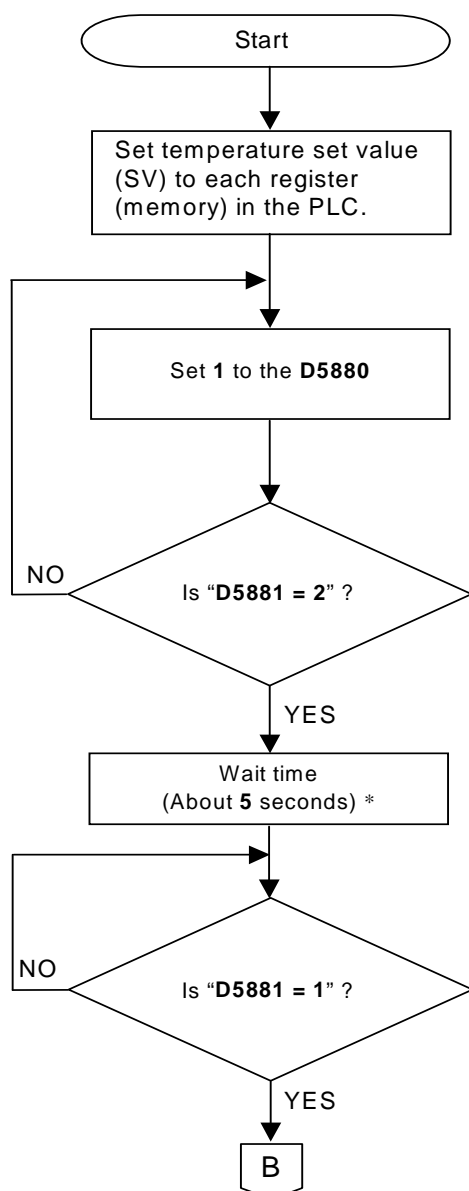
Temperature set value (SV) at address 0 (REX-F400) = 100

Temperature set value (SV) at address 1 (REX-F400) = 110

Temperature set value (SV) at address 2 (CB100) = 120

Temperature set value (SV) at address 3 (CB100) = 130

Temperature set value (SV) at address 4 (CB100) = 140



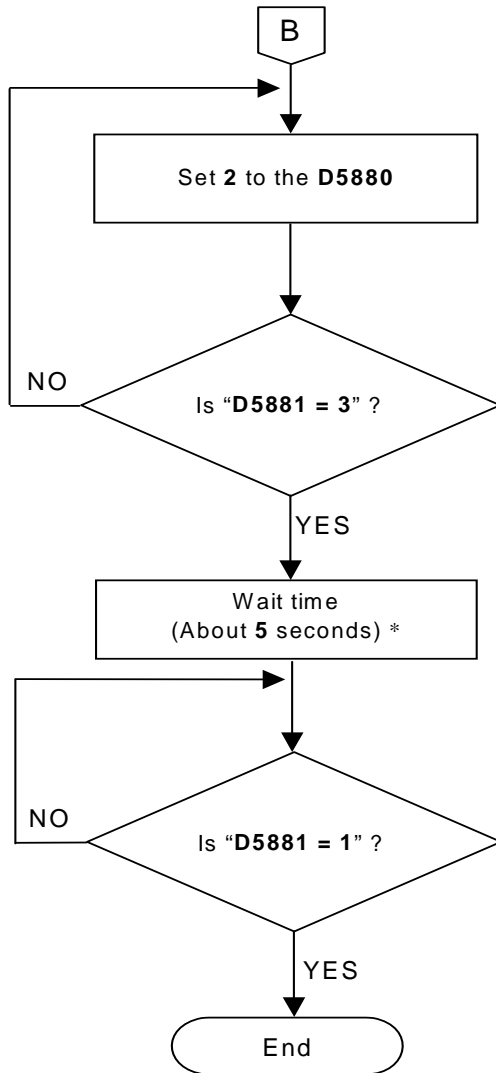
PLC register number	Set value (SV)	The RKC temperature controller	
		Device address	Model
D5500	100	0	REX-F400
D5501	110	1	REX-F400
D5502	120	2	CB100
D5503	130	3	CB100
D5504	140	4	CB100

Set data items such as temperature set values, etc. (attribute: RW) set to the register on the PLC side (memory) are read from the PLC by setting 1 (setting) to D5880 (request command) in the PLC.

If 2 (reading out setting data) is set to D5881 (COM-E communication status) in the PLC, this indicates that set data items such as temperature set values, etc. (attribute: RW) are being read from the PLC.

\* Spend a wait time of about 5 seconds (1 second/controller) after being set. In addition, process data in each item as indefinite during this period.

If 1 (writing on monitor data) is set to D5881 (COM-E communication status) in the PLC, this indicates that our temperature controller set data items such as present temperature set values, etc. (attribute: RW) have been written to start writing our temperature controller data items such as temperature measured values, etc. (attribute: RO) into the PLC.



Our temperature controller set data items such as present temperature set values, etc. (attribute: RW) are written into the PLC by setting **2** (set value monitor) to **D5880** (Request command) in the PLC.

If **3** (writing on setting data) is set to **D5881** (COM-E communication status) in the PLC, this indicates that our temperature controller set data items such as present temperature set values, etc. (attribute: RW) are being written into the PLC.

\* Spend a wait time of about 5 seconds (1 second/controller) after being set. In addition, process data in each item as indefinite during this period.

If **1** (writing on monitor data) is set to **D5881** (COM-E communication status) in the PLC, this indicates that our temperature controller set data items such as present temperature set values, etc. (attribute: RW) have been written to start writing our temperature controller data items such as temperature measured values, etc. (attribute: RO) into the PLC.



The same setting procedure applies when other PLCs are also use.



For the communication status check, refer to the **■ Communication status check procedures of 5.4.2 Communication status check (P. 38)**.

## 8. TROUBLESHOOTING

---

This section explains possible causes and treatment procedures if any abnormality occurs in the instrument. For any inquiries, please contact RKC sales office or the agent, to confirm the specifications of the product.

If it is necessary to replace a device, always strictly observe the warnings below.



### WARNING

- To prevent electric shock or instrument failure, always turn off the system power before replacing the instrument.
- To prevent electric shock or instrument failure, always turn off the power before mounting or removing the instrument.
- To prevent electric shock or instrument failure, do not turn on the power until all wiring is completed. Make sure that the wiring is correct before applying power to the instrument.
- To prevent electric shock or instrument failure, do not touch the inside of the instrument.
- All wiring must be performed by authorized personnel with electrical experience in this type of work.

### CAUTION

All wiring must be completed before power is turned on to prevent electric shock, instrument failure, or incorrect action.

### ■ COM-E

Problem	Possible cause	Solution
Operation lamp 1 does not flash (Host communication is operating)	Wrong connection, no connection or disconnection of the communication cable	Confirm the connection method or condition and connect correctly
	Breakage, wrong wiring, or imperfect contact of the communication cable	Confirm the wiring or connector and repair or replace the wrong one
	CPU section defect	Replace COM-E
Operation lamp 2 does not flash (Operation panel communication is operating)	Wrong connection, no connection or disconnection of the communication cable	Confirm the connection method or condition and connect correctly
	Breakage, wrong wiring, or imperfect contact of the communication cable	Confirm the wiring or connector and repair or replace the wrong one
	CPU section defect	Replace COM-E
Operation lamp 3 does not flash (PLC communication is operating)	Power not being supplied	Check external breaker etc.
	Appropriate power supply voltage not being supplied	Check the power supply
	Power supply terminal contact defect	Retighten the terminals
	Power supply section defect	Replace COM-E
Operation lamp 4 does not flash (Controllers communication is operating)	Power not being supplied	Check external breaker etc.
	Appropriate power supply voltage not being supplied	Check the power supply
	Power supply terminal contact defect	Retighten the terminals
	Power supply section defect	Replace COM-E
All Operation lamp light up	CPU section defect FAIL status of COM-E	Replace COM-E

### ■ PLC communication

Problem	Possible cause	Solution
The register (COM-E communication status) of the PLC side is “0: Communication failure”	Wrong connection, no connection or disconnection of the communication cable	Confirm the connection method or condition and connect correctly
	Breakage, wrong wiring, or imperfect contact of the communication cable	Confirm the wiring or connector and repair or replace the wrong one
	Mismatch of the setting data of communication speed, data bit configuration and protocol with those of the PLC	Confirm the PLC settings and set them correctly
	Wrong setting of the PLC communication data	Confirm the PLC settings and set them correctly
		Setting of termination resistor in accordance with the PLC or the insertion is done
Though request command is set in “1: Setting,” set value of the RKC temperature controller does not change	Data rang error	Confirm the setting range of set value and set them correctly
	The operation mode has not been switched to the Computer mode (COMP). [For REX-F400/700/900 (RKC product)]	Switch the operation mode of the REX-F400/700/900 to Computer mode (COMP).
If the power is supplied simultaneously to the PLC and COM-E, the ERR indicator on the Q Corresponding Serial Communication Module (QJ71C24) side of the PLC lights.	This is because the COM-E sends the BRK (break) signal to the PLC for about 10 seconds, but not abnormal.	When the ERR indicator turn on once, it is held. For details of error reset, refer to the Users Manual (Basic) for the Q Corresponding Serial Communication Module and the Operating Manual for the GX Developer.

### ■ Host communication

Problem	Possible cause	Solution
No response	Wrong connection, no connection or disconnection of the communication cable	Confirm the connection method or condition and connect correctly
	Breakage, wrong wiring, or imperfect contact of the communication cable	Confirm the wiring or connector and repair or replace the wrong one
	Mismatch of the setting data of communication speed and data bit configuration with those of the host	Confirm the settings and set them correctly
	Wrong address setting	
	Error in the data format	Reexamine the communication program
	Transmission line is not set to the receive state after data send (for RS-485)	
EOT return	The specified identifier is invalid	Confirm the identifier is correct or that with the correct function is specified. Otherwise correct it
	Error in the data format	Reexamine the communication program
NAK return	Error occurs on the line (parity bit error, framing error, etc.)	Confirm the cause of error, and solve the problem appropriately. (Confirm the transmitting data, and resend data)
	BCC error	
	The data exceeds the setting range	Confirm the setting range and transmit correct data
	The block data length of the transmission exceeds 128 bytes	Divide the block using ETB before sending it
	The specified identifier is invalid	Confirm the identifier is correct or that with the correct function is specified. Otherwise correct it
	The transmission mode of the operation panel is set to local mode (When the operation panel is REX-F400/700/900)	Change to computer mode (When the operation panel is REX-F400/700/900)

# 9. ASCII 7-BIT CODE TABLE

					b7	0	0	0	0	1	1	1	1
					b6	0	0	1	1	0	0	1	1
					b5	0	1	0	1	0	1	0	1
b5~b7	b4	b3	b2	b1		0	1	2	3	4	5	6	7
	0	0	0	0	0	NUL	DLE	SP	0	@	P	'	p
	0	0	0	1	1	SOH	DC1	!	1	A	Q	a	q
	0	0	1	0	2	STX	DC2	”	2	B	R	b	r
	0	0	1	1	3	ETX	DC3	#	3	C	S	c	s
	0	1	0	0	4	EOT	DC4	\$	4	D	T	d	t
	0	1	0	1	5	ENQ	NAK	%	5	E	U	e	u
	0	1	1	0	6	ACK	SYM	&	6	F	V	f	v
	0	1	1	1	7	BEL	ETB	'	7	G	W	g	w
	1	0	0	0	8	BS	CAN	(	8	H	X	h	x
	1	0	0	1	9	HT	EM	)	9	I	Y	i	y
	1	0	1	0	A	LF	SUB	*	:	J	Z	j	z
	1	0	1	1	B	VT	ESC	+	;	K	[	k	{
	1	1	0	0	C	FF	FS	,	<	L	¥	l	
	1	1	0	1	D	CR	GS	-	=	M	]	m	}
	1	1	1	0	E	SO	RS	.	>	N	^	n	~
	1	1	1	1	F	SI	US	/	?	O	_	o	DEL

# **MEMO**







**RKC INSTRUMENT INC.**

HEADQUARTERS: 16-6, KUGAHARA 5-CHOME, OHTA-KU TOKYO 146-8515 JAPAN

PHONE: 03-3751-9799 (+81 3 3751 9799)

FAX: 03-3751-8585 (+81 3 3751 8585)

E-mail: [info@rkcinst.co.jp](mailto:info@rkcinst.co.jp)

Website: <http://www.rkcinst.com/>