

Thank you for purchasing this RKC product. In order to achieve maximum performance and ensure proper operation of your new instrument, carefully read all the instructions in this manual. Please place the manual in a convenient location for easy reference.

This manual describes the mounting, wiring and specifications only. For the basic operations, refer to Z-TIO Host Communication Quick Operation Manual (IMS01T02-E0).

For the detail handling procedures and various function settings, please refer to separate SRZ Instruction Manual (IMS01T04-E0).

The above manuals can be downloaded from our website:  
URL: [http://www.rkcinst.com/english/manual\\_load.htm](http://www.rkcinst.com/english/manual_load.htm)

## Product check

Z-TIO Instruction Manual (IMS01T01-E4).....	1
Z-TIO Host Communication Quick Instruction Manual (IMS01T02-E0).....	1
Joint connector cover (KSRZ-517A).....	2
Power terminal cover (KSRZ-518A).....	1

## Safety precautions



**WARNING**

- An external protection device must be installed if failure of this instrument could result in damage to the instrument, equipment or injury to personnel.
- All wiring must be completed before power is turned on to prevent electric shock, fire or damage to instrument and equipment.
- This instrument must be used in accordance with the specifications to prevent fire or damage to instrument and equipment.
- This instrument is not intended for use in locations subject to flammable or explosive gases.
- Do not touch high-voltage connections such as power supply terminals, etc. to avoid electric shock.
- RKC is not responsible if this instrument is repaired, modified or disassembled by other than factory-approved personnel. Malfunction can occur and warranty is void under these conditions.

**CAUTION**

- This product is intended for use with industrial machines, test and measuring equipment. It is not designed for use with medical equipment and nuclear energy.
- This is a Class A instrument. In a domestic environment, this instrument may cause radio interference, in which case the user may be required to take additional measures.
- This instrument is protected from electric shock by reinforced insulation. Provide reinforced insulation between the wire for the input signal and the wires for instrument power supply, source of power and loads.
- Be sure to provide an appropriate surge control circuit respectively for the following:
  - If input/output or signal lines within the building are longer than 30 meters.
  - If input/output or signal lines leave the building, regardless the length.
- This instrument is designed for installation in an enclosed instrumentation panel. All high-voltage connections such as power supply terminals must be enclosed in the instrumentation panel to avoid electric shock by operating personnel.
- All precautions described in this manual should be taken to avoid damage to the instrument or equipment.
- All wiring must be in accordance with local codes and regulations.
- To prevent instrument damage or failure, protect the power line and the input/output lines from high currents with a protection device such as fuse, circuit breaker, etc.
- Prevent metal fragments or lead wire scraps from falling inside instrument case to avoid electric shock, fire or malfunction.
- Tighten each terminal screw to the specified torque found in the manual to avoid electric shock, fire or malfunction.
- For proper operation of this instrument, provide adequate ventilation for heat dispensation.
- Do not connect wires to unused terminals as this will interfere with proper operation of the instrument.
- Turn off the power supply before cleaning the instrument.
- Do not use a volatile solvent such as paint thinner to clean the instrument. Deformation or discoloration will occur. Use a soft, dry cloth to remove stains from the instrument.
- To avoid damage to instrument display, do not rub with an abrasive material or push front panel with a hard object.
- When high alarm with hold action/re-hold action is used for Event function, alarm does not turn on while hold action is in operation. Take measures to prevent overheating which may occur if the control device fails.

## NOTICE

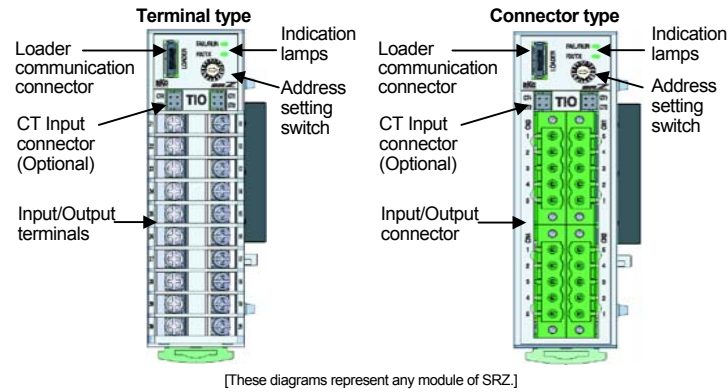
- This manual assumes that the reader has a fundamental knowledge of the principles of electricity, process control, computer technology and communications.
- The figures, diagrams and numeric values used in this manual are only for purpose of illustration.
- RKC is not responsible for any damage or injury that is caused as a result of using this instrument, instrument failure or indirect damage.
- RKC is not responsible for any damage and/or injury resulting from the use of instruments made by imitating this instrument.
- Periodic maintenance is required for safe and proper operation of this instrument. Some components have a limited service life, or characteristics that change over time.

- Every effort has been made to ensure accuracy of all information contained herein. RKC makes no warranty expressed or implied, with respect to the accuracy of the information. The information in this manual is subject to change without prior notice.
- No portion of this document may be reprinted, modified, copied, transmitted, digitized, stored, processed or retrieved through any mechanical, electronic, optical or other means without prior written approval from RKC.

- In order to improve safety and the immunity to withstand noise, mount this instrument as far away as possible from high voltage equipment, power lines, and rotating machinery.
  - High voltage equipment: Do not mount within the same panel.
  - Power lines: Separate at least 200 mm.
  - Rotating machinery: Separate as far as possible.
- (5) If this instrument is permanently connected to equipment, it is important to include a switch or circuit-breaker into the installation. This should be in close proximity to the equipment and within easy reach of the operator. It should be marked as the disconnecting device for the equipment.

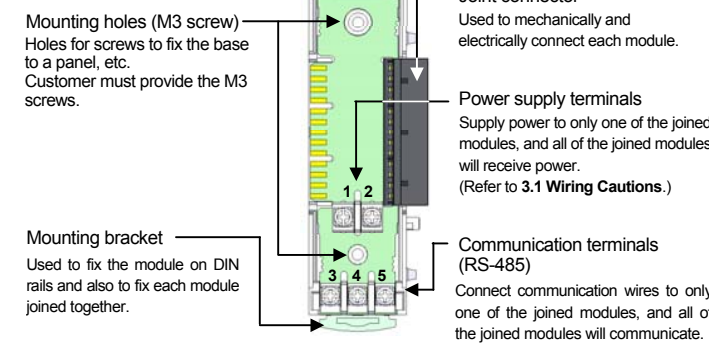
## 1. PARTS DESCRIPTION

### Module mainframe



- [These diagrams represent any module of SRZ.]
- [Indication lamps]
- FAIL/RUN: When normal (RUN): A green lamp is on. Self-diagnostic error (FAIL): A green lamp flashes. Instrument abnormality (FAIL): A red lamp is on.
  - RX/TX: During data send and receive: A green lamp turns on.

### Base



## 2. MOUNTING



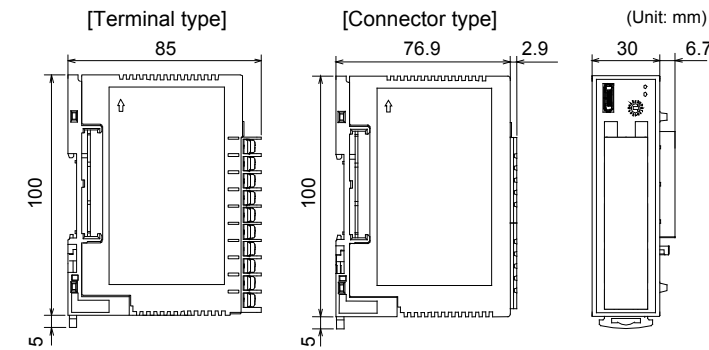
**WARNING**

To prevent electric shock or instrument failure, always turn off the power before mounting or removing the instrument.

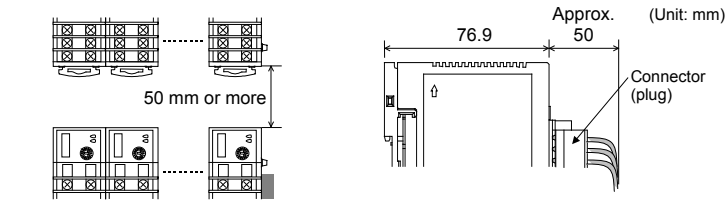
### 2.1 Mounting Cautions

- (1) This instrument is intended to be used under the following environmental conditions. (IEC61010-1) [OVERVOLTAGE CATEGORY II, POLLUTION DEGREE 2]
  - Use this instrument within the following environment conditions:
    - Allowable ambient temperature: -10 to +50 °C
    - Allowable ambient humidity: 5 to 95 % RH (Absolute humidity: MAX. W. C 29.3 g/m<sup>3</sup> dry air at 101.3 kPa)
  - Installation environment conditions: Indoor use, Altitude up to 2000 m
- (2) Avoid the following conditions when selecting the mounting location:
  - Rapid changes in ambient temperature which may cause condensation.
  - Corrosive or inflammable gases.
  - Direct vibration or shock to the mainframe.
  - Water, oil, chemicals, vapor or steam splashes.
  - Excessive dust, salt or iron particles.
  - Excessive induction noise, static electricity, magnetic fields or noise.
  - Direct air flow from an air conditioner.
  - Exposure to direct sunlight.
  - Excessive heat accumulation.
- (3) Mount this instrument in the panel considering the following conditions:
  - Ensure at least 50 mm space on top and bottom of the instrument for maintenance and environmental reasons.
  - Do not mount this instrument directly above equipment that generates large amount of heat (heaters, transformers, semi-conductor functional devices, large-wattage resistors).
  - If the ambient temperature rises above 50 °C, cool this instrument with a forced air fan, cooler, etc. Cooled air should not blow directly on this instrument.

### 2.2 Dimensions



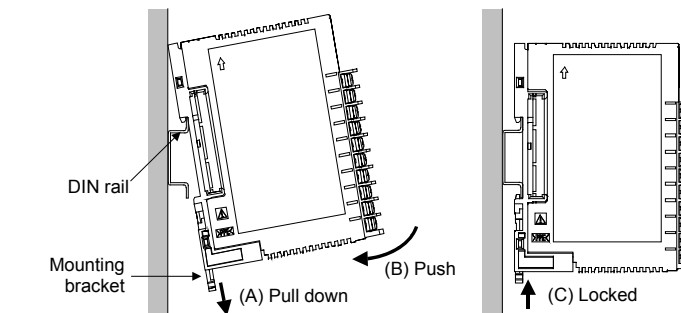
- Space required between each module vertically: When the module is mounted on the panel, allow a minimum of 50 mm at the top and bottom of the module to attach the module to the mainframe.
- Depth for connector mount type module: Space for connectors and cables must be considered when installing.



### 2.3 DIN Rail Mounting

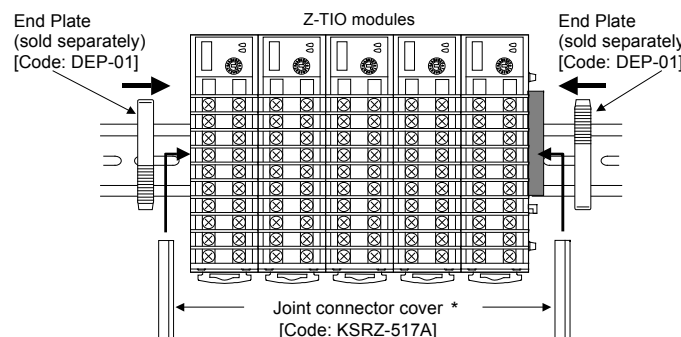
#### Mounting procedures

1. Pull down the mounting bracket at the bottom of the module (A). Attach the hooks on the top of the module to the DIN rail and push the lower section into place on the DIN rail (B).
2. Slide the mounting bracket up to secure the module to the DIN rail.



#### Mounting end plates

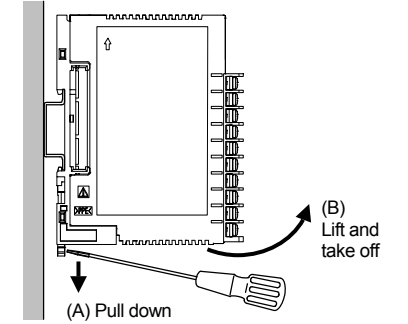
To firmly fix the modules, use end plates on both sides of the mounted modules.



\* It is recommended to use a plastic cover on the connector on both sides of the mounted modules for protection of connectors.

## Removal procedures

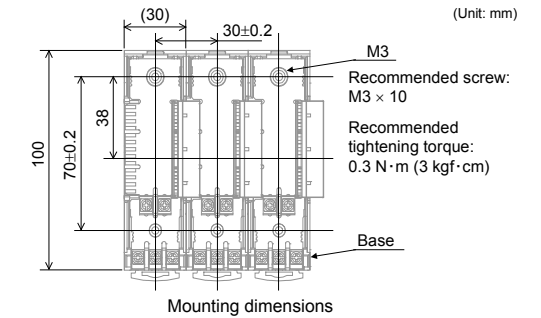
Pull down a mounting bracket with a blade screwdriver (A). Lift the module from bottom, and take it off (B).



## 2.4 Panel Mounting

### Mounting procedures

1. Refer to the mounting dimensions below when selecting the location.



2. Remove the base from the module (B) while the lock is pressed (A). (Fig.1)
3. Join bases. Then, lock them by pushing in the mounting brackets.

Refer to the 2.5 Joining Each Module.

4. Fix the base to its mounting position using M3 screws. Customer must provide the screws.
5. Mount the module on the base. (Fig.2)

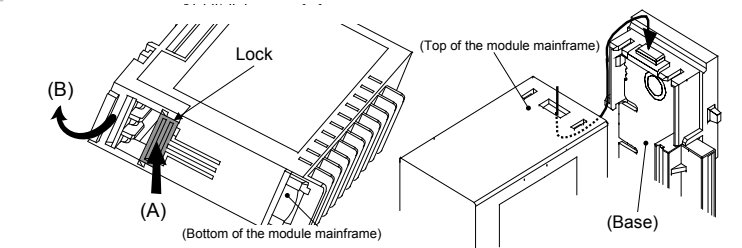


Fig. 1: Removing the base

Fig. 2: Mounting the module mainframe

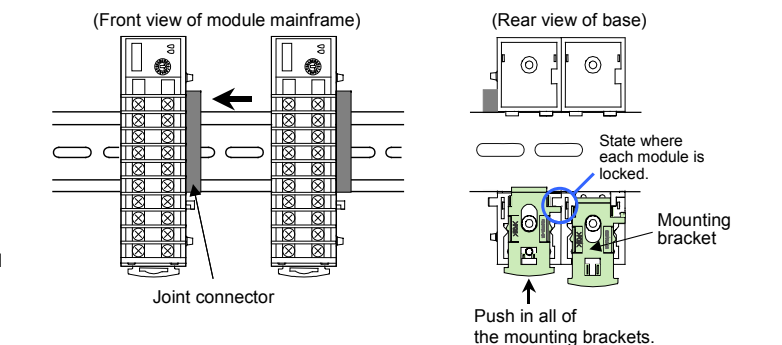
## 2.5 Joining Each Module

Up to 16 Z-TIO-A/B modules (for host communication) can be joined together. Join these modules according to the following procedure.

Z-TIO-C or Z-TIO-D module for which the communication protocol is "PLC communication" cannot be connected to and used with a Z-TIO-A or Z-TIO-B module.

1. Mount the modules on the DIN rail.
2. Slide the modules until the modules are closely joined together and the joint connectors are securely connected.
3. Push in the mounting brackets to lock the modules together and fix to the DIN rail.

For panel mounting, mount the module mainframes after the bases are joined and mounted.



### 3. WIRING

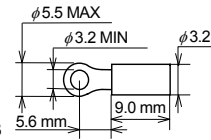


**WARNING**

To prevent electric shock or instrument failure, do not turn on the power until all wiring is completed. Make sure that the wiring is correct before applying power to the instrument.

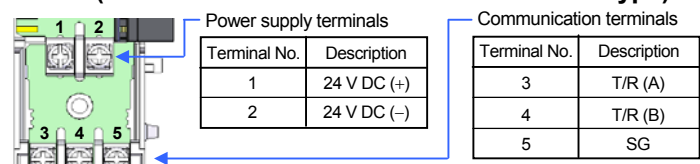
#### 3.1 Wiring Cautions

- To avoid noise induction, keep input/output signal wires away from instrument power line, load lines and power lines of other electric equipment.
- If there is electrical noise in the vicinity of the instrument that could affect operation, use a noise filter.
  - Shorten the distance between the twisted power supply wire pitches to achieve the most effective noise reduction.
  - Always install the noise filter on a grounded panel. Minimize the wiring distance between the noise filter output and the instrument power supply terminals to achieve the most effective noise reduction.
  - Do not connect fuses or switches to the noise filter output wiring as this will reduce the effectiveness of the noise filter.
- Allow approximately 8 seconds for contact output when the instrument is turned on. Use a delay relay when the output line is used for an external interlock circuit.
- Power supply wiring must be twisted and have a low voltage drop.
- For an instrument with 24 V power supply, supply power from a SELV circuit.
- A suitable power supply should be considered in end-use equipment. The power supply must be in compliance with a limited-energy circuits (maximum available current of 8 A).
- Supply the power to only one of the joined modules. When power is supplied to any one of the joined modules, all of the joined modules will receive power.
- Select the power capacity which is appropriate for the total power consumption of all joined modules and the initial current surge when the power is turned on.
  - Power consumption (at maximum load): 140 mA max. (at 24 V DC) [4-channel type]
  - 80 mA max. (at 24 V DC) [2-channel type]
  - Rush current: 10 A or less
- For the terminal type module, the power supply terminals and the communication terminals, use the specified solderless terminals. Only these specified solderless terminals can be used due to the insulation between the terminals.
  - Screw size: M3 × 7 (with 5.8 × 5.8 square washer)
  - Recommended tightening torque: 0.4 N·m (4 kgf·cm)
  - Applicable wire: Solid/Twisted wire of 0.25 to 1.65 mm<sup>2</sup>
  - Specified solderless terminals:
    - Manufactured by J.S.T MFG CO., LTD.
    - Circular terminal with isolation V1.25-MS3 (M3 screw, width 5.5 mm, hole diameter 3.2 mm)
- Make sure that the any wiring such as solderless terminal is not in contact with the adjoining terminals.
- For the connector type module, use the following our connector (plug) [sold separately].
  - Connector type: SRZP-01 (Front-screw type)
  - SRZP-02 (Side-screw type)
  - Screw size: M2.5
  - Recommended tightening torque: 0.43 to 0.5 N·m (4.3 to 5.0 kgf·cm)
  - Used cable specifications:
    - Lead wire type: Solid (AWG 28 [cross-section: 0.081 mm<sup>2</sup>] to 12 [cross-section: 3.309 mm<sup>2</sup>]) or Twisted wire (AWG 30 [cross-section: 0.051 mm<sup>2</sup>] to 12 [cross-section: 3.309 mm<sup>2</sup>])
    - Stripping length: 9 to 10 mm (SRZP-01), 7 to 8 mm (SRZP-02)



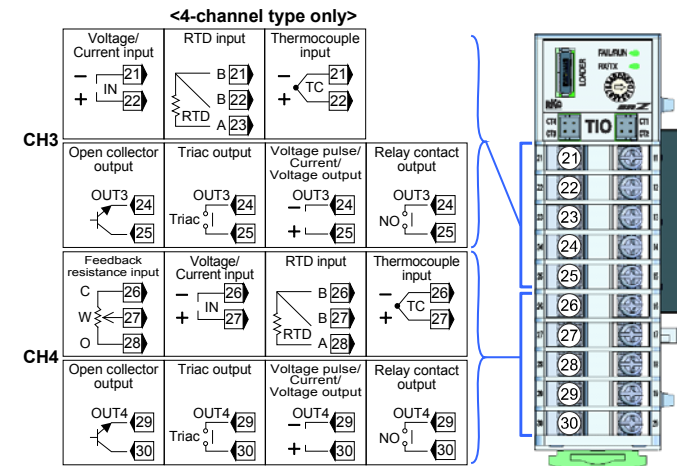
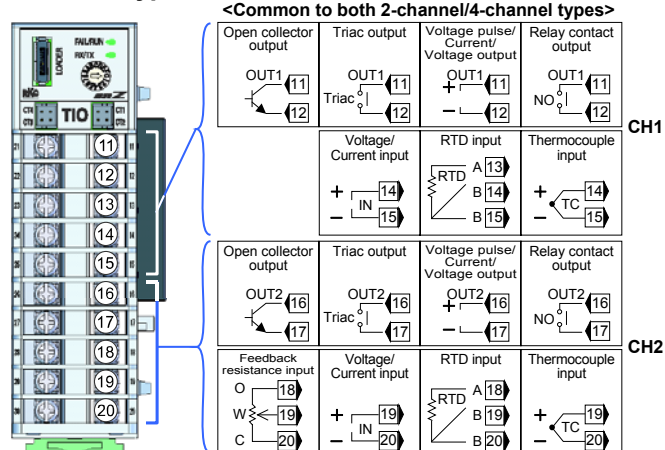
#### 3.2 Terminal Configuration

##### ■ Base (Common to both terminal and connector type)

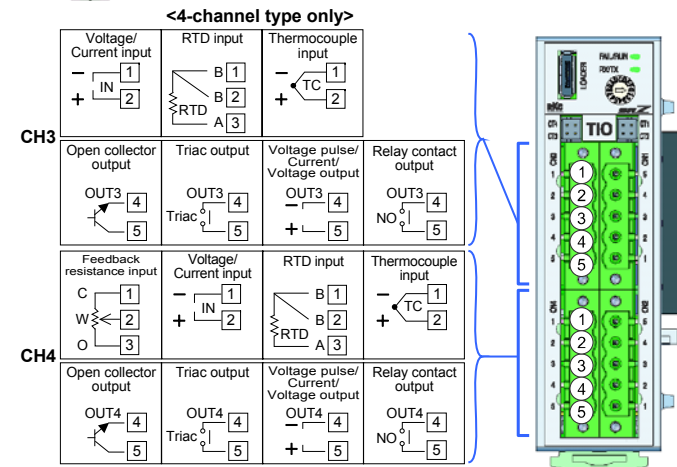
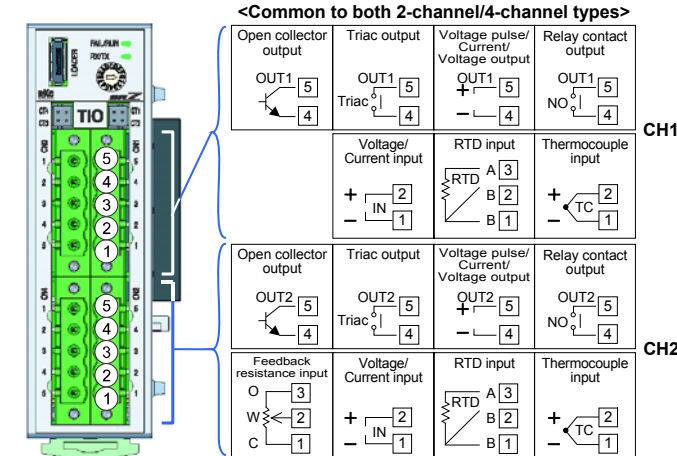


For communication wiring, refer to **Z-TIO Host Communication Quick Instruction Manual (IMS01T02-ED)**.

##### ■ Terminal type module



##### ■ Connector type module

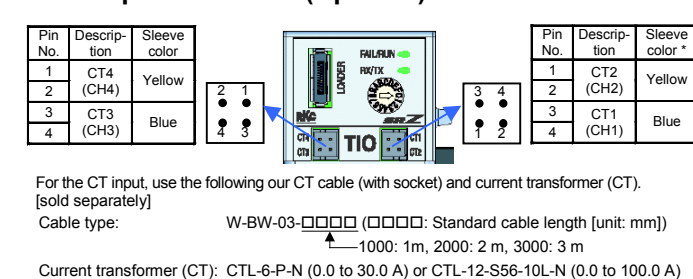


##### ■ The output allocation table

Control type	OUT1	OUT2	OUT3	OUT4
PID control	Control output 1 (CH1)	Control output 2 (CH2)	—	—
Heat/Cool PID control	Heat-side output 1 (CH1)	Cool-side output 1 (CH1)	—	—
Position proportioning PID control	Open-side output 1 (CH1)	Close-side output 1 (CH1)	—	—
PID control	Control output 1 (CH1)	Control output 2 (CH2)	Control output 3 (CH3)	Control output 4 (CH4)
Heat/Cool PID control	Heat-side output 1 (CH1)	Cool-side output 1 (CH1)	Heat-side output 2 (CH3)	Cool-side output 2 (CH3)
Position proportioning PID control	Open-side output 1 (CH1)	Close-side output 1 (CH1)	Open-side output 2 (CH3)	Close-side output 2 (CH3)

\* For the 4-channel type module, other output allocation possible.

#### 3.3 CT Input Connector (Optional)



### 4. SPECIFICATIONS

#### Measured input

Number of inputs: 4 points or 2 points (Isolated between each input)  
 Input type:
 

- TC input

- RTD input: K, J, T, S, R, E, B, N (JIS-C1602-1995)
- Voltage (low) input: P1100 (JIS-C1604-1997)
- Voltage (high) input: JPT100 (JIS-C1604-1989, JIS-C1604-1981 of Pt100)
- Current input: 0 to 10 mV, 0 to 100 mV, 0 to 1 V
- Feedback resistance input: 0 to 20 mA, 4 to 20 mA
- Sampling cycle: 100 Ω to 6 kΩ (standard 135 Ω)
- Influence of external resistance: 250 ms
- Influence of input lead: Approx. 0.125 μV/Ω (Converted depending on TC types)
- PV bias: Approx. 0.02 %/Ω of PV (RTD input)

#### Current transformer (CT) input [optional]

Number of inputs: 4 points or 2 points  
 CT type: CTL-6-P-N or CTL-12-S56-10-N (Sold separately)  
 Input range: 0.0 to 30.0 A (CTL-6-P-N), 0.0 to 100.0 A (CTL-12-S56-10L-N)  
 Sampling cycle: 500 ms

#### Output

Number of outputs: 4 points or 2 points  
 Output type:
 

- Relay contact output:
  - Contact type: 1a contact
  - Contact rating (Resistive load): 250 V AC 3 A, 30 V DC 1 A
  - Electrical life: 300,000 times or more (Rated load)
  - Mechanical life: 50 million times or more (Switching: 180 times/min)
- Voltage pulse output (Not isolated between output and power supply):
  - Output voltage: 0/12 V DC (Rating)
  - ON voltage: 11.0 V to 13.0 V
  - OFF voltage: 0.2 V or less
  - Allowable load resistance: 600 Ω or more
- Current output (Not isolated between output and power supply):
  - Output current (Rating): 4 to 20 mA DC, 0 to 20 mA DC
  - Allowable load resistance: 600 Ω or less
- Voltage output (Not isolated between output and power supply):
  - Output voltage (Rating): 0 to 1 V DC, 0 to 5 V DC, 1 to 5 V DC, 0 to 10 V DC
  - Allowable load resistance: 1 kΩ or more
- Triac output:
  - Output method: AC output (Zero-cross method)
  - Allowable load current: 0.5 A (Ambient temperature 40 °C or less)
  - Ambient temperature 50 °C: 0.3 A
  - 75 to 250 V AC
  - 30 mA
- Open collector output:
  - Output method: Sink type
  - Allowable load current: 100 mA
  - Load voltage: 30 V DC or less
  - Minimum load current: 0.5 mA

#### Control

Control type: Brilliant II PID control (Reverse/Direct action)  
 Brilliant II Heat/Cool PID control (water cooling/air cooling/cooling gain linear)  
 Position proportioning PID control without FBR  
 Autotuning, Startup tuning

#### Communication

Interface: Based on RS-485 EIA standard  
 RKC communication  
 (ANSI X3.28-1976 subcategory 2.5, B1)  
 Modbus-RTU

#### General specifications

Power supply voltage: 24 V DC (Rating)  
 21.6 to 26.4 V DC [Including power supply voltage variation]  
 Power consumption (at maximum load): 140 mA max. (at 24 V DC) [4-channel type]  
 80 mA max. (at 24 V DC) [2-channel type]  
 Rush current: 10 A or less  
 Allowable ambient temperature: -10 to +50 °C  
 Allowable ambient humidity: 5 to 95 % RH (Absolute humidity: MAX.W.C 29.3 g/m<sup>3</sup> dry air at 101.3 kPa)  
 Installation environment conditions: Indoor use  
 Altitude up to 2000 m  
 Weight: Terminal type module: Approx. 160 g  
 Connector type module: Approx. 140 g

#### Standard

Safety standards: UL: UL61010-1  
 cUL: CAN/CSA-C22.2 No.61010-1  
 CE marking: • LVD: EN61010-1  
 OVERVOLTAGE CATEGORY II, POLLUTION DEGREE 2, Class II (Reinforced insulation)  
 • EMC: EN61326-1  
 EN55011  
 C-Tick:

### 5. MODEL CODE

**4-channel type: Z-TIO-A** □ - □□□□/□□ - □□□□ /Y (1) (2) (3) (4) (5) (6) (7) (8) (9) (10)  
**2-channel type: Z-TIO-B** □ - □□/□□□□ - □□□□ /Y (1) (2) (3) (6) (7) (8) (9) (10)

- Code 8 and 9 are for quick start codes to specify software configurable settings. If not specified, these codes will not be printed on labels and all settings will be factory default.
- (1) Wiring type
- T: Terminal type
- C: Connector type
- (2) Output 1 (OUT1), (3) Output 2 (OUT2), (4) Output 3 (OUT3), (5) Output 4 (OUT4)
- M: Relay contact output
- V: Voltage pulse output
- 3: Voltage output (0 to 1 V DC)
- 4: Voltage output (0 to 5 V DC)
- 5: Voltage output (0 to 10 V DC)
- (6) Current transformer (CT) input
- N: None
- A: CT (4 points) [4-channel type], CT (2 points) [2-channel type]
- (7) Quick start code
- N: No quick start code (Configured as factory default)
- 1: Specify quick start code 1
- 2: Specify quick start code 1 and 2 \*
- \* For quick start code 2, refer to **SRZ Instruction Manual (IMS01T04-ED)**.
- (8) Control Method (all channel common) [Quick start code 1]
- No code: No specify quick start code
- F: PID control with AT (Reverse action)
- D: PID control with AT (Direct action)
- G: Heat/Cool PID control with AT<sup>1</sup>
- A: Heat/Cool PID control with AT (for Extruder [air cooling])<sup>1</sup>
- W: Heat/Cool PID control with AT (for Extruder [water cooling])<sup>1</sup>
- Z: Position proportioning PID control without FBR<sup>2</sup>
- <sup>1</sup> Z-TIO-A type: CH2 and CH4 only accept Measured value (PV) monitor and event action.  
 Z-TIO-B type: CH2 only accepts Measured value (PV) monitor and event action.
- <sup>2</sup> Z-TIO-A type: Inputs of CH2 and CH4 can be used as FBR input.  
 Z-TIO-B type: Input of CH2 can be used as FBR input.
- (9) Measured input and Range (all channel common) [Quick start code 1]
- No code: No specify quick start code
- : Refer to **Range code table**.
- /Y: Version symbol
- (10) Instrument specification

#### ■ Range code table

Type	Code	Range (Input span)	Code	Range (Input span)
K	K02	0 to 400 °C	KA1	0 to 800 °F
	K04	0 to 800 °C	KA2	0 to 1600 °F
	K41	-200 to +1372 °C	KA4	0.0 to 800.0 °F
	K09	0.0 to 400.0 °C	KC7	-328 to +2501 °F
	K10	0.0 to 800.0 °C		
	K35	-200.0 to +400.0 °C		
	K40	-200.0 to +800.0 °C		
J	J02	0 to 400 °C	JA1	0 to 800 °F
	J04	0 to 800 °C	JA2	0 to 1600 °F
	J15	-200 to +1200 °C	JB6	0.0 to 800.0 °F
	J08	0.0 to 400.0 °C	JB9	-328 to +2192 °F
	J09	0.0 to 800.0 °C		
	J27	-200.0 to +400.0 °C		
	J32	-200.0 to +800.0 °C		
T	J29	-200.0 to +1200.0 °C		
	T19	-200.0 to +400.0 °C	TC5	-328 to +752 °F
E			TC6	0.0 to 752.0 °F
	E20	-200.0 to +1000.0 °C	EB1	-328 to +1832 °F
S			EB2	0.0 to 800.0 °F
	S06	-50 to +1768 °C	SA7	-58 to +3214 °F
R			RA7	-58 to +3214 °F
	R07	-50 to +1768 °C	BB1	32 to 3272 °F
B			NA6	32 to 2372 °F
	B03	0 to 1800 °C	AA2	0 to 2534 °F
N			WB1	32 to 4208 °F
	N02	0 to 1300 °C	DC6	-328.0 to +752.0 °F
PLII			DD2	-328 to +1562 °F
	A02	0 to 1390 °C	PC6	-328.0 to +752.0 °F
W5Re/W26Re			PD2	-328 to +1184 °F
	W03	0 to 2300 °C		
Pt100				
	D21	-200.0 to +200.0 °C		
D35				
	D35	-200.0 to +850.0 °C		
JPT100				
	P30	-200.0 to +640.0 °C		

#### [Voltage input, Current input]

Type	Code	Range (Input span)
0 to 10 mV DC	101	Programmable range -19999 to +19999 (Factory set value: 0.0 to 100.0)
0 to 100 mV DC	201	
0 to 1 V DC	301	
0 to 5 V DC	401	
0 to 10 V DC	501	
1 to 5 V DC	601	
0 to 20 mA DC	701	
4 to 20 mA DC	801	

The factory set value of Heater break alarm (HBA) type is based on the output type.  
 For Heater break alarm (HBA) type, refer to the **SRZ Instruction Manual (IMS01T04-ED)**.

Modbus is a registered trademark of Schneider Electric.  
 Company names and product names used in this manual are the trademarks or registered trademarks of the respective companies.

**RKC RKC INSTRUMENT INC.** The first edition: MAR. 2006 [JM00]  
 The fourth edition: FEB. 2010 [JM00]

HEADQUARTERS: 16-6, KUGAHARA 5-CHOME, OHTA-KU TOKYO 146-8515 JAPAN  
 PHONE: 03-3751-9799 (+81 3 3751 9799) E-mail: info@rkcinst.co.jp  
 FAX: 03-3751-8585 (+81 3 3751 8585) FEB. 2010